

CHENG

OKEANITO

WALL

DESIGNER:
FU-TUNG CHENG
LIMITED EDITION

The new Limited Edition Okeanito models are a testament to Cheng's creative rethink of industrial materials and Zephyr's commitment to delivering the unexpected -- in this case mixed metal ventilation hoods which embrace the eclectic, industrial chic aesthetic people love.

ZEPHYR

ZEPHYRONLINE.COM



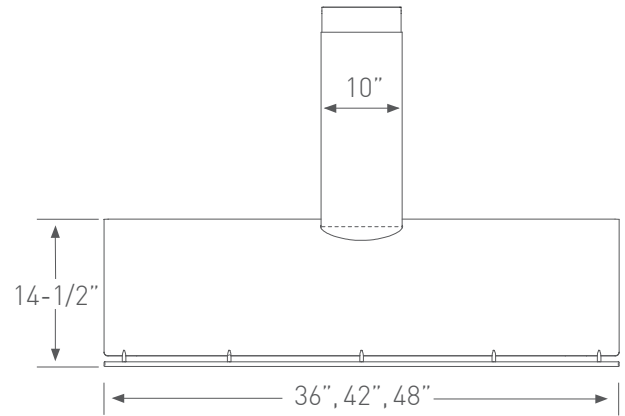
Rose Gold Stainless Steel



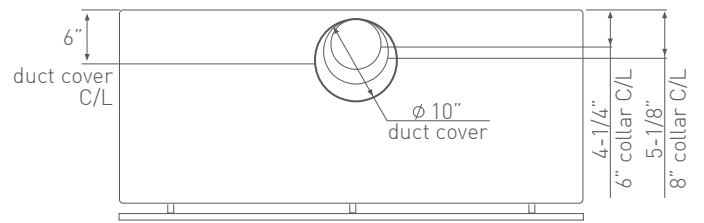
Black Mirror Stainless Steel



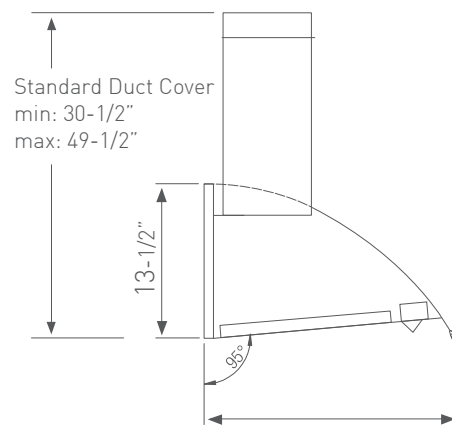
Optional Wireless Remote Control



Front



Top



Side

DESIGNER:
FU-TUNG CHENG
LIMITED EDITION

MODEL

Rose Gold Stainless Steel	COK-E36BRGX	COK-E42BRGX	COK-E48BRGX
Black Mirror Stainless Steel	COK-E36BBMX	COK-E42BBMX	COK-E48BBMX

Size	36"	42"	48"
Internal Blower CFM*	290, CBI-290A	290, CBI-290A	290, CBI-290A
Internal Blower CFM*	600, CBI-600A	600, CBI-600A	600, CBI-600A
In-line Blower CFM*	1,000, PBN-1000A	1,000, PBN-1000A	1,000, PBN-1000A
External Blower CFM*	1,000, CBE-1000	1,000, CBE-1000	1,000, CBE-1000
Sones	1.4-6	1.4-6	1.4-6
Controls	Electronic Touch	Electronic Touch	Electronic Touch
Speed Levels	3	3	3
Auto Delay-Off	Yes	Yes	Yes
CleanAir Function**	Yes	Yes	Yes
Lighting-Primary	Bloom™ HD LED x2	Bloom™ HD LED x2	Bloom™ HD LED x4
Lighting-Ambient	Incandescent x2	Incandescent x2	Incandescent x2
Dual-Level Lighting	Yes, LED	Yes, LED	Yes, LED
Filters	Pro Baffle x1	Pro Baffle x1	Pro Baffle x2
Wireless Remote Control	Optional	Optional	Optional
Recirculating	No	No	No
Duct Cover Extension	No	No	No
ADA Compliant	Yes (with remote accessory)	Yes (with remote accessory)	Yes (with remote accessory)

DUCT SPECIFICATIONS

Vertical Internal	6"	6"	6"
Vertical In-Line/External	10" to 8"***	10" to 8"***	10" to 8"***
Horizontal	NA	NA	NA
AC INPUT	120V - 60Hz	120V - 60Hz	120V - 60Hz
AC POWER****	Max. 0.6 Amps	Max. 0.6 Amps	Max. 0.7 Amps

OPTIONAL ACCESSORIES

Make-Up Air Kit	MUA006A (600 CFM) MUA008A (1,000 CFM)	MUA006A (600 CFM) MUA008A (1,000 CFM)	MUA006A (600 CFM) MUA008A (1,000 CFM)
Wireless Remote Control	14000005	14000005	14000005

MOUNTING HEIGHT RANGE†	28" - 36"	28" - 36"	28" - 36"
-------------------------------	-----------	-----------	-----------

WARRANTY	3 years parts, 1 year labor	3 years parts, 1 year labor	3 years parts, 1 year labor
-----------------	-----------------------------	-----------------------------	-----------------------------

CEILING HEIGHT	8'	8.5'	9'	9.5'	10'	10.5'	11'	12'
MOUNTING HEIGHT†	28" - 30"	26" - 34"	26" - 34"	28" - 36"	32" - 36"	NA	NA	NA

*Blower sold separately.

**CleanAir turns your hood on once every four hours for 10 minutes on speed one.

***10" round duct connects to external and in-line blower. Must transition from 10" to 8" before duct passes through ceiling. A 10" to 8" adapter is included with external and in-line blowers.

****AC power listed above is for hood with lights only. For blower specifications please refer to the blower spec sheet.

†Mounting height refers to distance between top of a 36" tall cooking surface and bottom of hood.