



Heritage® 30", 36", 48" Wide, Dual-Fuel Ranges

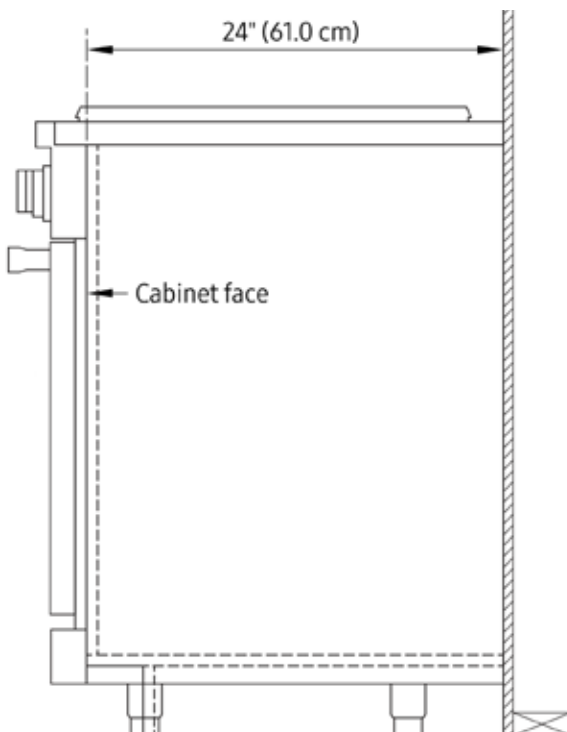
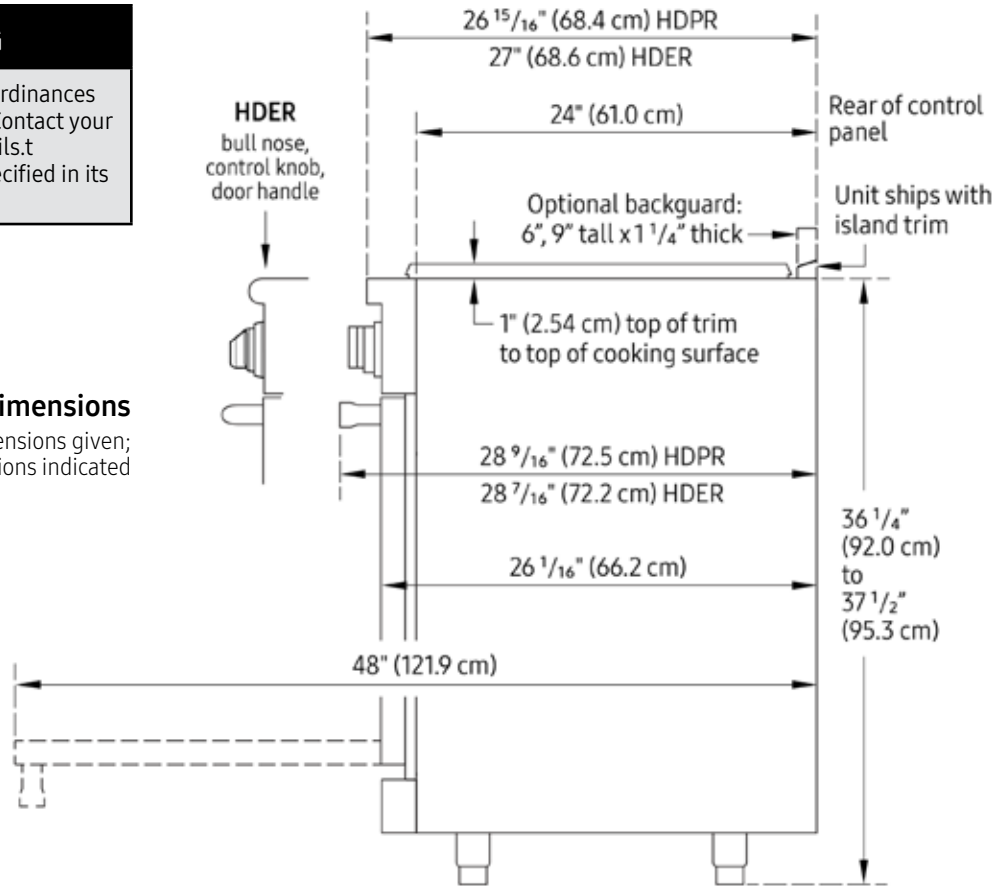
PLANNING GUIDE

WARNING

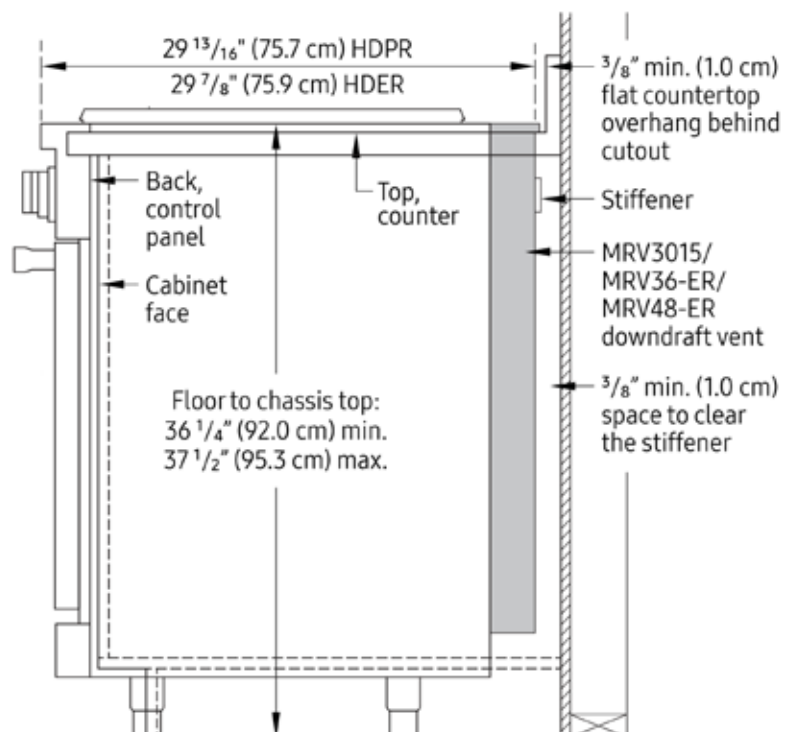
- Observe all governing codes and ordinances during planning and installation. Contact your local building department for details.
- The range must be installed as specified in its installation instructions.

Critical Depth/Height Dimensions

HDPRS model shown; common dimensions given; unique HDPS/HDERS dimensions indicated



Range-Only Installation



Range-With-Downdraft Installation



Heritage® 30", 36", 48" Wide, Dual-Fuel Ranges

PLANNING GUIDE

ELECTRICAL REQUIREMENTS		
Model	Required Circuit	Total Connected Load
HDPR30S, HDER30S	240 Vac*, 60 Hz, 30 Amp.	5.75 kW (24.0 Amp.)
HDPR36S, HDER36S		
HDPR48S, HDER48S	240 Vac*, 60 Hz, 50 Amp.	10.1 kW (41.9 Amp.)

*4-wire, two 120 Vac hot (L1 and L2), one neutral, one ground; these ratings are for reference only; see the range's data label (back of range) for exact specifications.

The wiring must be long enough that the range can be pulled out for service, without being disconnected. Wiring to the range must:

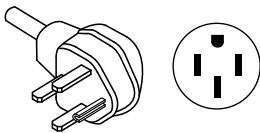
- meet NEMA standards and the requirements in the above table
- include a strain relief
- be terminated by tinned leads, closed-loop terminals, or open-ended spade lugs with upturned ends
- connect to a junction box or receptacle installed by a licensed electrician.

The range may be connected via one of these two methods:

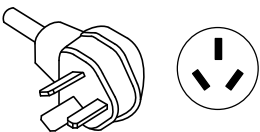
- 4-wire conduit connected to a 4-wire junction box
- 3-wire conduit (where local code permits, not for use with new branch circuit installations) connected to a 3-wire junction box.

Using a power cord:

- A 4-wire power cord with a NEMA 14-50P plug connected to a NEMA 14-50R receptacle:



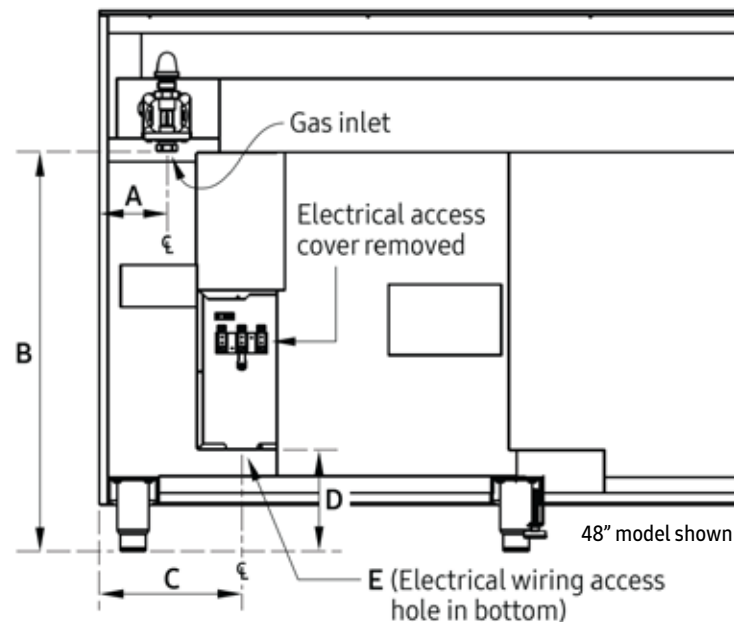
- A 3-wire power cord (where permitted) with a NEMA 10-50P plug connected to a NEMA 10-50R receptacle



- The power-cord plug must be UL listed type SRD or SRDT.
- Range models DYRP36D-C-S and DYRP48D-C-S come with a factory installed 4-wire appliance cord with NEMA 14-50P plug. For freestanding ranges installed in Canada, a factory installed 4-wire appliance cord with NEMA 14-50P plug is required, without modification.

MINIMUM GAS-SUPPLY PRESSURE REQUIREMENTS*		
Gas Type	Min. Manifold Pressure	Min. Gas-Supply Pressure**
Natural	5" water column	6" water column
LP (propane)	10" water column	11" water column

*Gas-supply pressure for testing the regulator setting shall be at least 1" water column (249 Pa) above the specified manifold pressure; **Max gas-supply pressure, all models: 1/2 psi.
The above ratings are for reference only; see the rating label (upper-rear of range) for exact specifications.



GAS-/ELECTRICAL-ACCESS DIMENSIONS					
Model	A	B*	C	D*	E**
HDPR30S/ HDER30S	3 1/4" (8.3 cm)	27" (68.6 cm)	6 3/4" (17.1 cm)	6 3/4" (17.1 cm)	7/8" (2.2 cm) dia.
HDPR36S/ HDER36S	6 3/4" (17.1 cm)	27" (68.6 cm)	12" (30.5 cm)		
HDPR48S/ HDER48S	4 1/4" (10.8 cm)	27" (68.6 cm)	9" (22.9 cm)		

*Measurement with range legs adjusted to their lowest height; **the hole size for the electrical wiring may be increased to 1 1/8" (2.9 cm) by removing the conduit bracket in the bottom of the electrical box.



Heritage® 30", 36", 48" Wide, Dual-Fuel Ranges

PLANNING GUIDE

Cabinet Layout

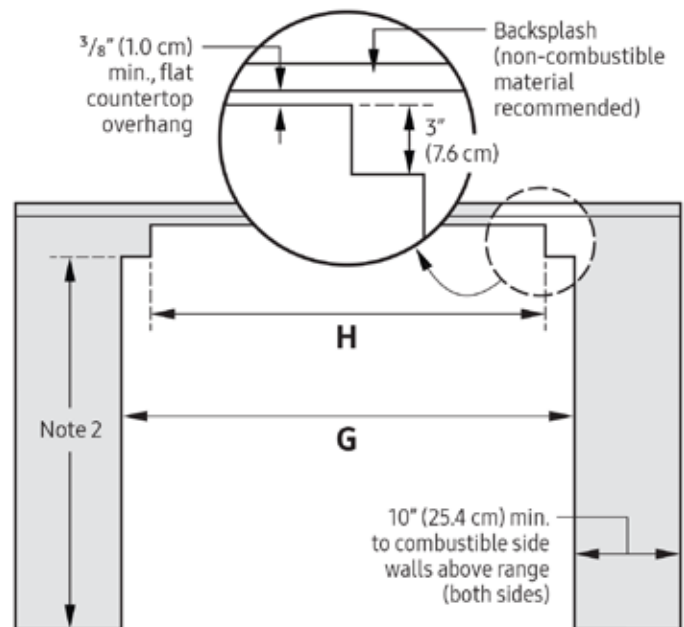
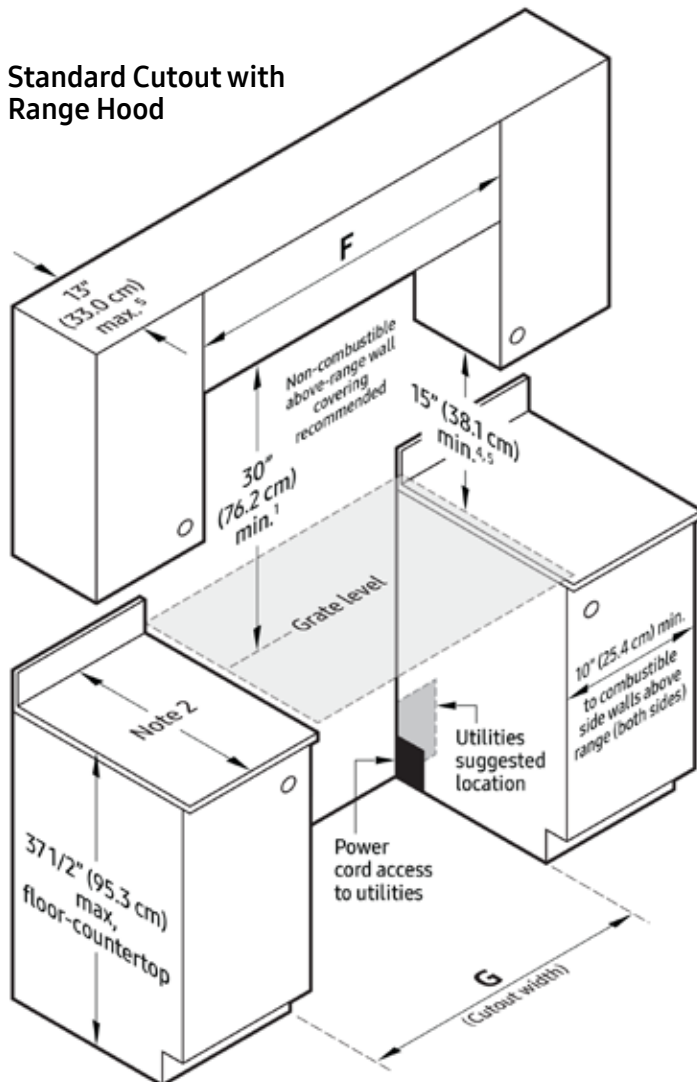
- All maximum/minimum dimensions and clearances in the diagrams below must be maintained for safe operation.
- Place the range away from drafts (open doors and windows, and home heating/cooling systems).
- Do not install cabinets over the range, or to reduce risk of burn injury from reaching over a hot cooktop, install a range hood that projects horizontally at least 5" beyond the cabinet bottoms.
- The range may be installed against the rear wall. Dacor strongly recommends installing a backguard or non-combustible material on the rear wall between the range vent hood.

- Seal openings in the wall behind the range and in the floor below.
- The grey area in the diagram below shows the suggested gas/electrical utilities. Existing utilities may be used if they do not hinder range placement.
- Gas/electrical utilities must be located so the range can be moved for service without being disconnected.
- An external, manual shut-off valve must be installed between the gas inlet and range so gas to the range can be shut on/off.
- Installation must allow access to the gas shut-off valve and circuit-breaker panel/fuse box when the range is in place.

CUTOUT DIMENSIONS			
Model	F: recommended/min.	G: min./max.	H
HDPRS/HDERS 30	36" (91.4 cm) / 30" (76.2 cm)	30" (76.2 cm) / 30 1/8" (76.5 cm)	27 3/8" (69.5 cm)
HDPRS/HDERS 36	42" (106.7 cm) / 36" (91.4 cm)	36" (91.4 cm) / 36 1/8" (91.8 cm)	33 1/2" (84.8 cm)
HDPRS/HDERS 48	54" (137.2 cm) / 48" (122.0 cm)	48" (121.9 cm) / 48 1/8" (122.2 cm)	43 1/2" (110.5 cm)

APPROVED DOWNDRAFT VENTS	
Range	Downdraft Vent
HDPRS/HDERS 30	MRV30-ER
HDPRS/HDERS 36	MRV36-ER
HDPRS/HDERS 48	MRV48-ER

IMPORTANT: See downdraft installation instructions for duct and electrical installation requirements. Use only approved Dacor downdraft vents.



Countertop Cutout For Downdraft Vent

1. Vertical from range grate level to combustible overhead surface; if installing an overhead hood, see hood specifications for minimum required clearances.
2. Cabinet/countertop depth is at customer discretion, but cabinet face must not protrude beyond rear of range front panel. (See Pg. 1 for dimensions.)
3. Consult local codes for exact location requirements.
4. Vertical from grate level to combustible surface.
5. Not applicable to cabinets that horizontally are over 10" (25.4 cm) from range edge.