

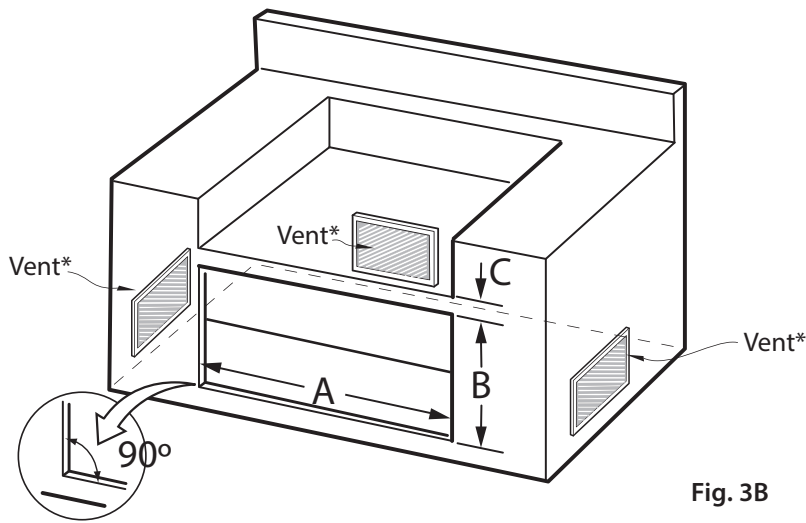
IMPORTANT INFORMATION
THIS SHEET IS TO BE REFERRED TO INSTEAD OF PAGE 8 IN THE SUPPLIED MANUAL

INSTALLATION

MAKE CUTOUT AND INSTALL SUPPORT STRUCTURE - FLUSH INSTALLATION

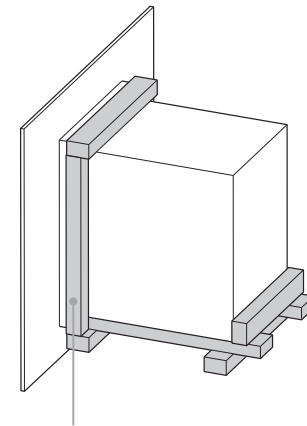
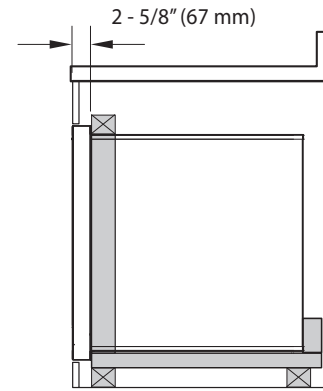
1. Make a cut-out in your cabinet or island with the following dimensions:

NOTE: Each corner of the cutout should be 90° for the Access Drawers to fit properly.



* Island installation to use minimum of 3 vents providing 10 sq. in. per vent (typical).

CUTOUT DIMENSIONS				
Model	A (-0,+1/8")	B (-0,+1/8")	C	D
ADR2-48	48 3/16"	22-1/16"	1.0" min.	1.0" min.
ADR2-36	36 3/16"	22-1/16"	1.0" min.	1.0" min.
ADR2-30	30 3/16"	22-1/16"	1.0" min.	1.0" min.
ADR2-24	24 3/16"	22-1/16"	1.0" min.	1.0" min.

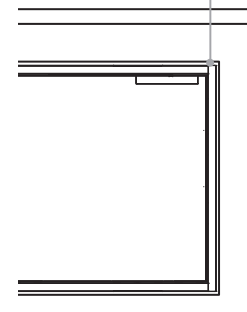


A frame should be constructed 2" (51 mm) setback from the front face of the product to both push the product up against and conceal the cutout clearance around the front frame.

Important!

Do not seal the product in with silicone caulk or similiar. Doing so will result in the product being difficult to remove for servicing.

Minimum 3/16" (4 mm) cutout clearance around front frame



2. Place 3" X 4"s to provide support for the Access Drawers structure in the locations indicated in the figure opposite (Fig. 4B).
3. Board lengths are provided in the table opposite (Fig. 5B).

Note: The frame should locate the Access Drawer assembly in the center of the cutout, and be fastened to the enclosure such that the unit is reliably secured in place.