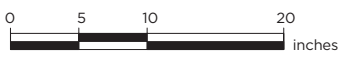
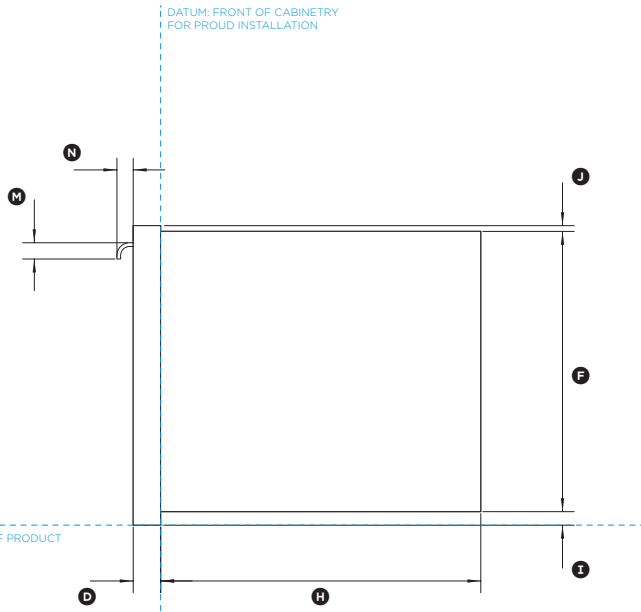
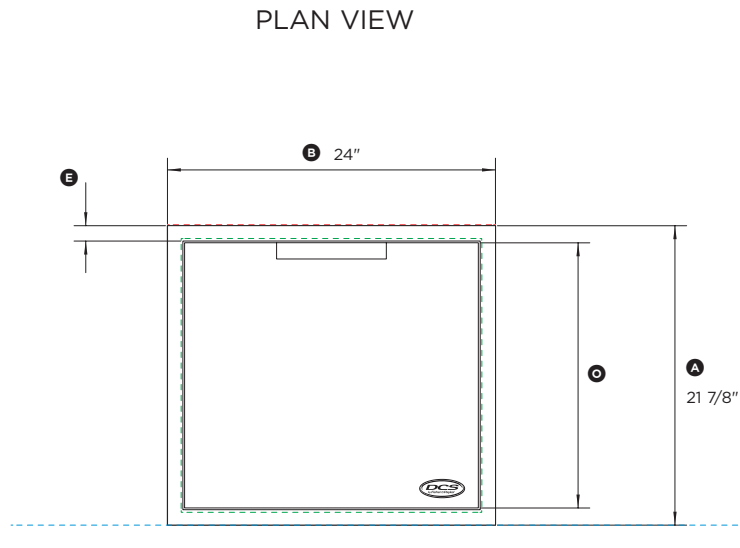
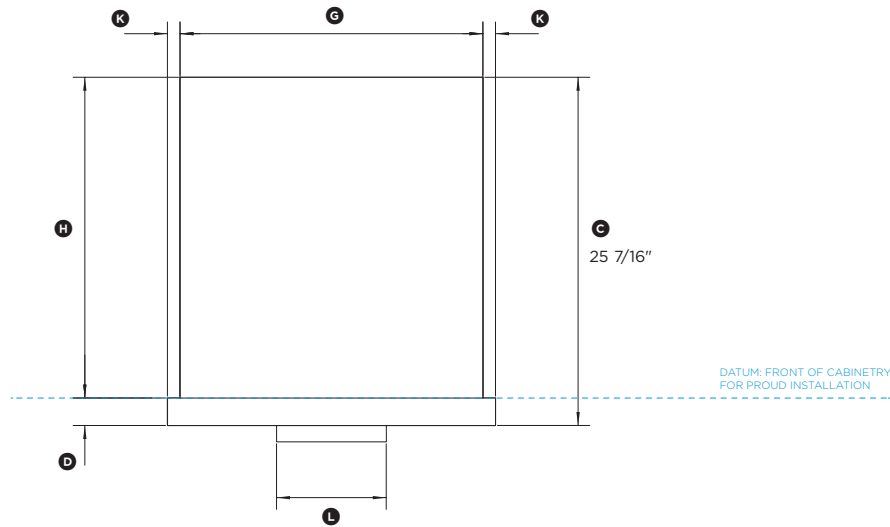


Data sheet

24" Access Drawer



Model no:

ADR24

(refer page 2 for metric measurements)

Product Dimensions	in
Ⓐ Overall height of product	21 7/8"
Ⓑ Overall width of product	24"
Ⓒ Overall depth of product (excluding handles)	25 7/16"
Ⓓ Depth of front frame	2"
Ⓔ Width of front frame	1 1/8"
Ⓕ Height of chassis	19 15/16"
Ⓖ Width of chassis	22"
Ⓖ Depth of chassis	23 7/16"
Ⓗ Height of bottom flange	1"
Ⓗ Height of top flange	7/16"
Ⓘ Width of side flanges	15/16"
Ⓚ Width of handle	8"
Ⓚ Height of handle	1 3/16"
Ⓚ Depth of handle	1 3/16"
Ⓚ Height of drawer front	19 3/8"

Cutout Dimensions	in
Overall width of cutout	22"
Overall height of cutout	20"

IMPORTANT NOTE: This datasheet shows only the proud installation option. For full installation and clearance details please refer to our installation manual.

INDICATES CABINETY / PRODUCT DATUM -----
 INDICATES CUTOUT -----

DATE: 31.08.2015

IMPORTANT NOTE: Throughout this guide, dimensions may vary by ±2mm (3/32"). Please read the installation manual for detailed information on installing the product. www.dcsappliances.com



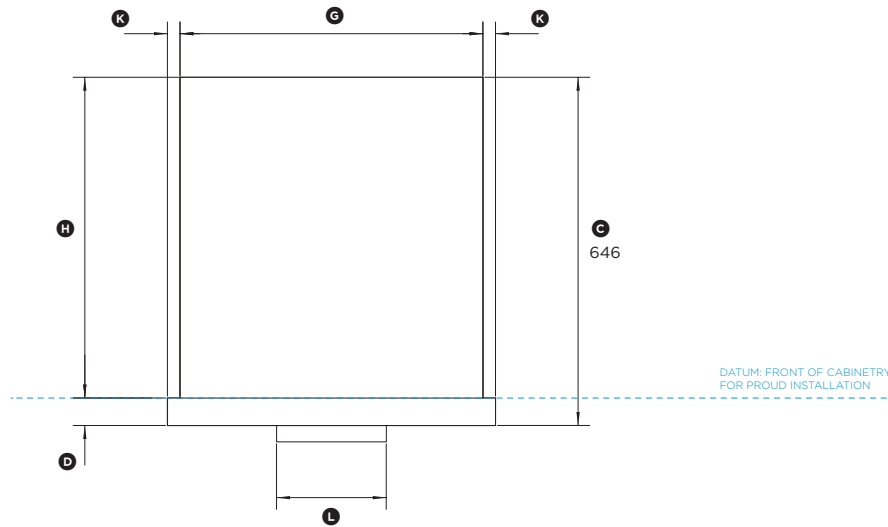
Data sheet

24" Access Drawer

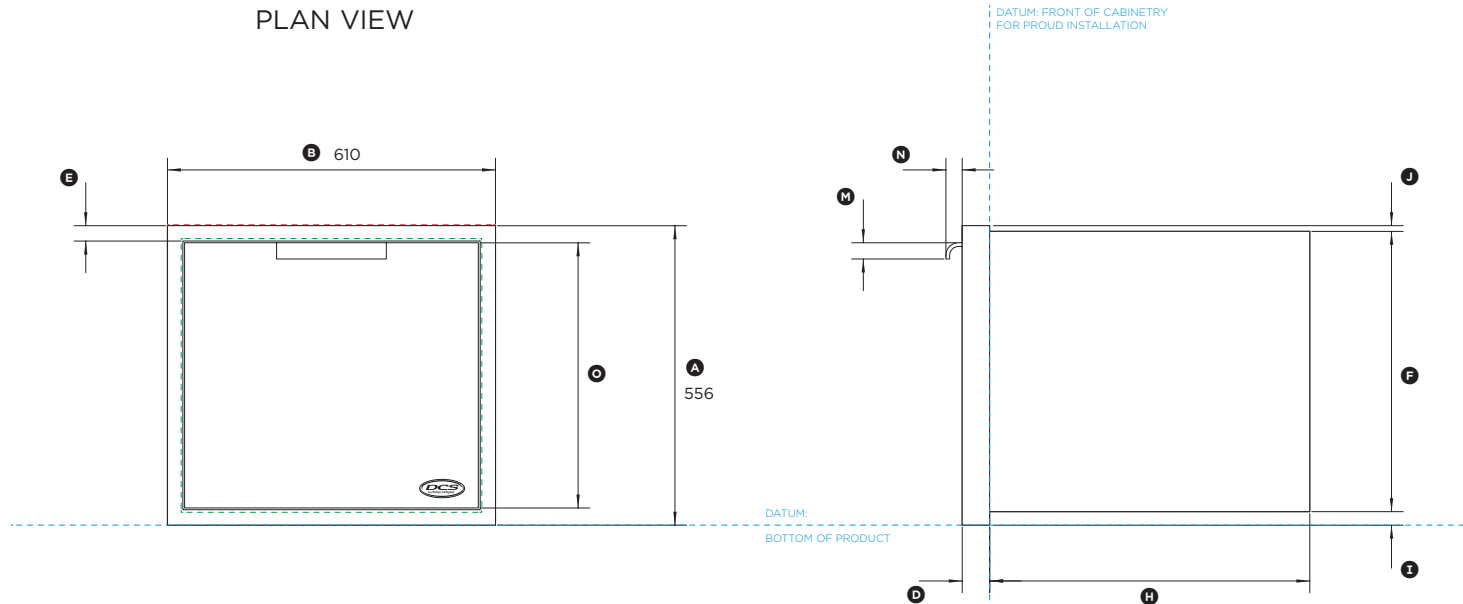
Model no:

ADR24

(refer page 1 for imperial measurements)



PLAN VIEW



FRONT VIEW

PROFILE VIEW



Product Dimensions	mm
Ⓐ Overall height of product	556
Ⓑ Overall width of product	610
Ⓒ Overall depth of product (excluding handles)	646
Ⓓ Depth of front frame	51
Ⓔ Width of front frame	28
Ⓕ Height of chassis	507
Ⓖ Width of chassis	559
Ⓖ Depth of chassis	595
Ⓙ Height of bottom flange	25
Ⓚ Height of top flange	11
Ⓛ Width of side flanges	23
Ⓜ Width of handle	204
Ⓨ Height of handle	30
Ⓩ Depth of handle	30
Ⓟ Height of drawer front	492

Cutout Dimensions	mm
Overall width of cutout	559
Overall height of cutout	508

IMPORTANT NOTE: This datasheet shows only the proud installation option. For full installation and clearance details please refer to our installation manual.

INDICATES CABINETY / PRODUCT DATUM -----
INDICATES CUTOUT -----

DATE: 31.08.2015

IMPORTANT NOTE: Throughout this guide, dimensions may vary by ±2mm (3/32"). Please read the installation manual for detailed information on installing the product. www.dcsappliances.com

