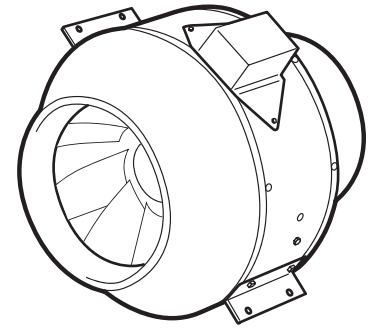


VIKING MODEL DIL1200 INLINE FAN

ONLY FOR USE WITH: VCWH, VCIH, DBCV, DICV, DCWH, DCIH, DCWL,
DCWN, DTWS, DSWB 30"W to 66"W WALL AND ISLAND HOODS



READ AND SAVE THESE INSTRUCTIONS

WARNING

TO REDUCE THE RISK OF FIRE, ELECTRIC SHOCK, OR INJURY TO PERSONS, OBSERVE THE FOLLOWING:

1. Use this unit only in the manner intended by the manufacturer. If you have questions, contact the manufacturer or your distributor.
2. Before servicing or cleaning unit, switch power off at service panel and lock the service disconnecting means to prevent power from being switched on accidentally. When the service disconnecting means cannot be locked, securely fasten a prominent warning device, such as a tag, to the service panel.
3. Installation work and electrical wiring must be done by a qualified person(s) in accordance with all applicable codes and standards, including fire rated construction codes and standards.
4. Sufficient air is needed for proper combustion and exhausting of gases through the flue (chimney) of fuel burning equipment to prevent backdrafting. Follow the heating equipment manufacturer's guidelines and safety standards such as those published by the National Fire Protection Association (NFPA), and the American Society for Heating, Refrigeration and Air Conditioning Engineers (ASHRAE), and the local code authorities.
5. When cutting or drilling into wall, or ceiling, do not damage electrical wiring or other hidden utilities.
6. Ducted fans must always be vented to the outdoors.
7. To reduce risk of fire, use only metal ductwork.
8. This unit must be grounded.

CAUTION

1. For general ventilating use only. Do not use to exhaust hazardous or explosive material and vapors.
2. To avoid motor bearing damage and noisy and/or unbalanced impellers, keep drywall spray, construction dust, etc. off power unit.
3. Please read specification label on product for additional information and requirements.
4. Unit has an unguarded impeller. Do not use in locations where the impeller is readily accessible to people or animals.
5. Screen guards must be installed if impeller is within reach of personnel, and less than 7 feet above the floor.
6. When handling fan wear hand protection and stay clear of sharp edges.
7. Because this unit has rotating parts, safety should be exercised during all phases of installation, operation and maintenance.
8. The motor is permanently lubricated. Do not oil or disassemble motor.
9. Electrical circuit, including speed control, (if used), must be rated 5.0 AMPS minimum.

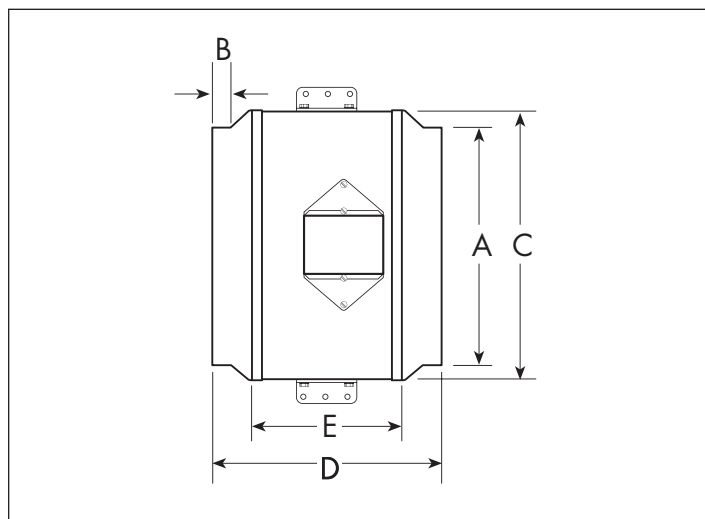
SPECIFICATIONS

| MODEL | VOLTS | AMPS | CFM | DUCT SIZE |
|---------|-------|------|------|-----------|
| DIL1200 | 115 | 4.84 | 1200 | 10" DIA. |

**INSTALLER: Leave this Manual With The Homeowner
HOMEOWNER: Use And Care Information On Page 4**

PLANNING THE INSTALLATION

1. Locate the inline fan so that the length of the duct run and number of elbows needed is kept to a minimum.
2. The inline fan is designed for use with 10" diameter duct.
3. Use rigid metal ductwork.
4. Always install ventilation products with an approved wall or roof cap.
5. For a truly quiet kitchen ventilation system add a Viking Inline Duct Silencer part number VSIL10 (sold separately) to the installation. The simple addition of an inline duct silencer between the range hood and the DIL1200 fan can typically reduce the perceived sound level of the system by more than 50%.



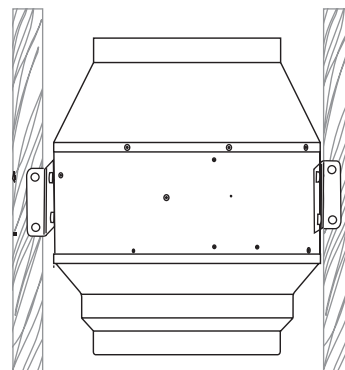
| MODEL | A | B | C | D | E | Weight |
|---------|-----|---|----|----|---|---------|
| DIL1200 | †10 | 1 | 14 | 15 | 8 | 21 lbs. |

All dimensions in inches.

† Duct connections are 1/8" smaller than the duct size.

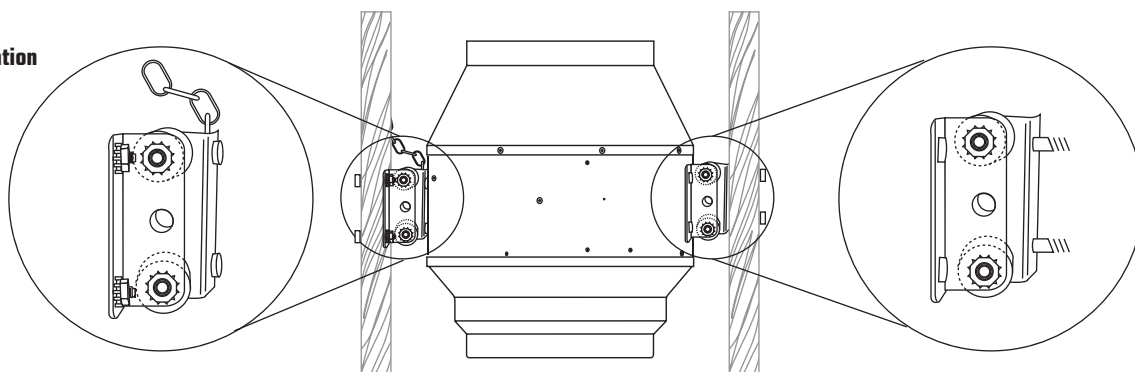
MOUNTING THE DIL1200 INLINE FAN

To minimize any potential vibration noise it is recommended that the inline fan be mounted with Viking Vibration Isolation Kit part number ILVK (sold separately). Various mounting methods are shown below.

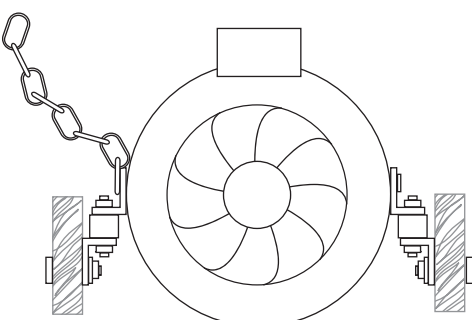


**Vertical Installation
with out Kit**

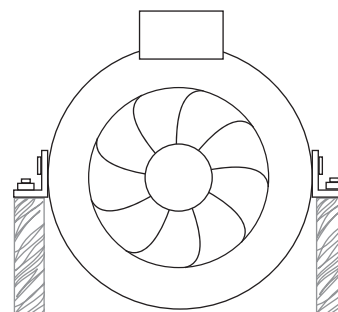
**Vertical Installation
with Kit**



**Horizontal Installation
with Kit**

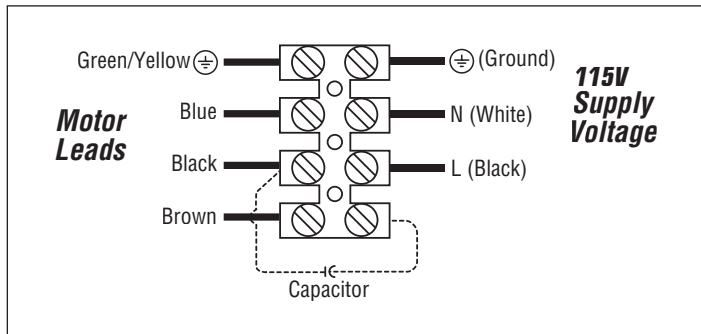


**Horizontal Installation
with out Kit**



CONNECT WIRING TO DIL1200 INLINE FAN

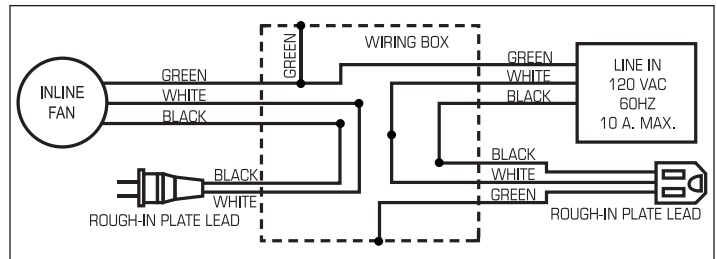
1. The opposite end of this wiring will be connected to the range hood rough in box in the next step.
2. Remove wiring box cover from the inline fan.
3. Attach an appropriate UL approved cable connector to the wiring hole in the wiring box.
4. Bring electrical wiring through the cable connector in the electrical box.
5. Make electrical connections per the diagram shown below



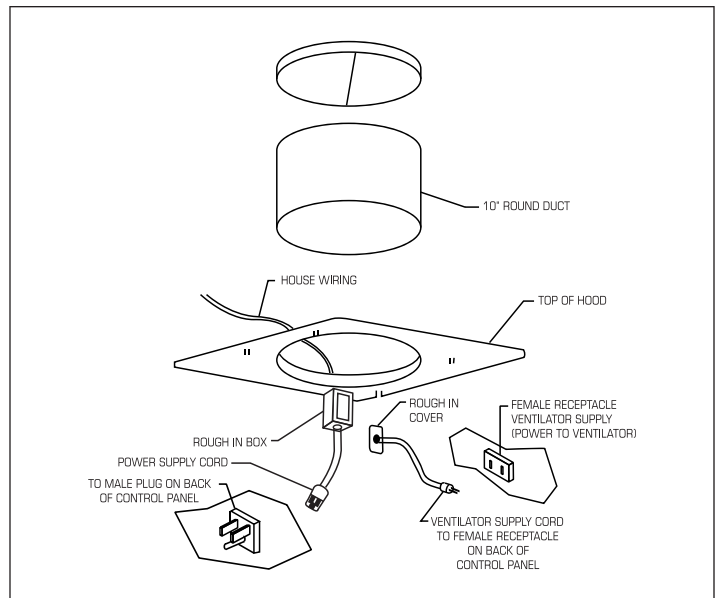
6. Attach wiring box cover to range hood rough in box.

CONNECT WIRING TO THE RANGE HOOD ROUGH IN BOX

1. Run 115VAC electrical power cable from the service panel and from the inline fan to the range hood rough in box.
2. Remove appropriate knockouts from the range hood rough in box.
3. Attach appropriate UL approved cable connectors to the wiring holes in the range hood rough in box.
4. Feed 6" of power cable through the cable connectors in the range hood rough in box.
5. Using the diagram below make all electrical connections to the range hood rough in box including the Cordset Assembly part number PV300207 supplied with DIL1200.



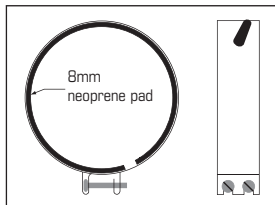
6. Attach wiring box cover to rough in box.
7. Connect the plugin power cables of the rough in box to the range hood.



CONNECTING DUCT WORK TO DIL1200 INLINE FAN

Two duct clamps part number 001377-000 are included with this unit and are intended to simplify fan installation and isolate fan vibration from the rigid metal duct.

Note: The duct clamps are convenient in installations where regular removal of the fan is necessary for inspection and cleaning.



The built in hanger tab of the duct clamps are not intended to support the weight of the inline fan. The inline fan should be supported with the integral brackets of the inline fans.

If special supports are required in anticipation of earthquakes the duct clamps that are supplied with the DIL1200 are not intended to meet these requirements.

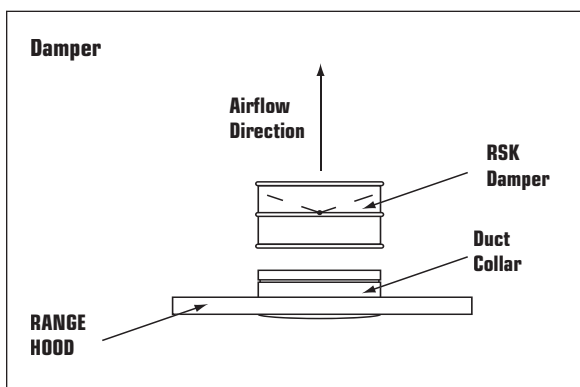
To minimize vibration, leave a 1/4" gap between the inline fan collars and rigid duct.

Tighten the two screws until the fan and duct are snugly attached.

The duct work at the inlet of the inline fan is to be connected to the range hood.

The duct work at the out box of the inline fan is to be connected to a roof or wall cap.

A inline butterfly damper part number PV300006 is included with the DIL1200. The damper can be installed anywhere in the duct system. Damper must be installed so that the airflow direction will open the butterfly blades. Mounting the damper in an inverted position may prevent the blades from closing completely. The preferred installation position is vertical as shown below.



USE AND CARE

Disconnect electrical power supply and lock out service panel before cleaning or servicing this unit.

CLEANING

Periodic inspection and cleaning is recommended. The frequency of inspection and cleaning should be adjusted according to the type and amount of cooking.

The interior of the fan can be accessed by removing the duct clamp and gently moving the duct work away from the inlet of the fan.

If excess build up is present it should be removed from the interior of the fan and from the impeller of the fan.

MOTOR LUBRICATION

The motor is permanently lubricated. Do not oil or disassemble motor.

VIKING RANGE CORPORATION
GREENWOOD, MISSISSIPPI 38930 USA