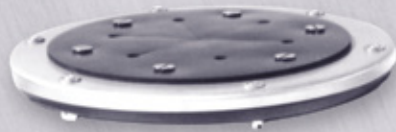


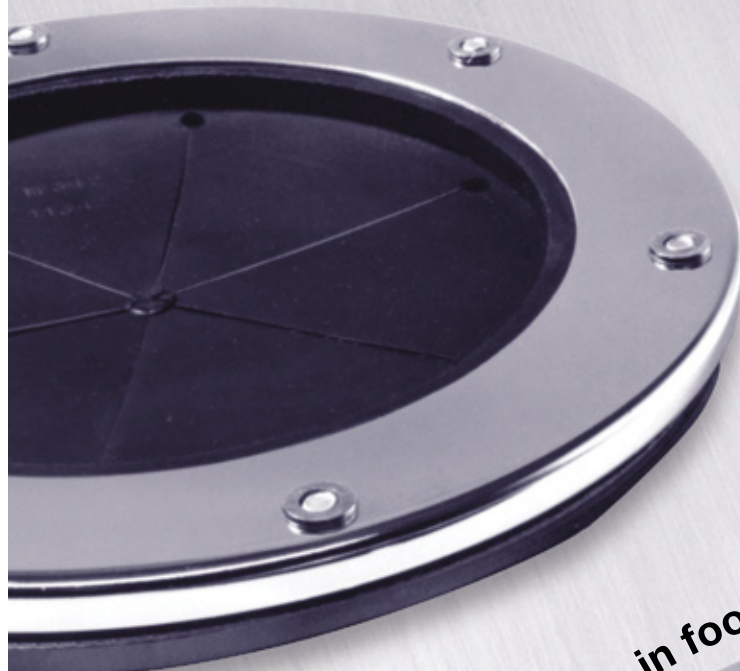


Mounting Adaptor Selection Guide

for Foodservice Food
Waste Disposers

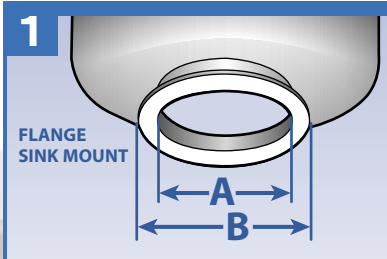


The most trusted name in food waste management.



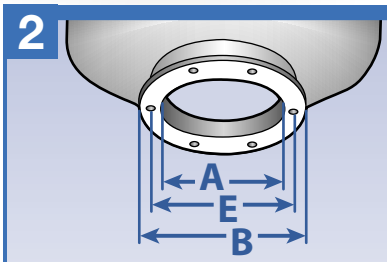
Use This Chart to Select the Right InSinkErator Mounting Adaptor

- A. Disconnect existing disposer from sink bowl or cone.
- B. Find the diagram that matches your sink bowl or cone.
- C. Measure the A and B dimensions (also C, D and E if indicated).
- D. Match the manufacturer and dimensions to find the adaptor number to order.



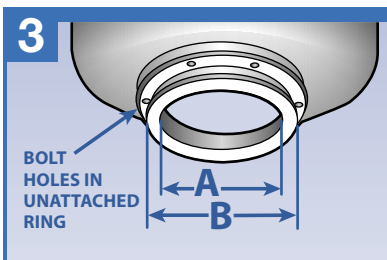
A – Diameter (sink or bowl opening)
B – Diameter (outside flange)

Normally Used By	A	B	ISE Ring Adaptor #	Special Information
Waste King, ISE, Toledo, National	4½"	5-1/8"	11327A	Discard previous adaptor parts.
FMC, Avant	4-5/8"	5-1/8"	11378	Re-use split ring.
FMC, Avant	5¼"	5-11/16"	11327C	Discard previous adaptor parts.
Bus Boy	6"	6-7/8"	11327K	Discard previous adaptor parts (has 3-piece split ring).
ISE, Toledo	6"	7-3/16"	11327B	Discard previous adaptor parts.
Standard ISE mounting	6-5/8"	7-1/8"	11599E	Discard previous adaptor parts.
National, Hobart, Toledo	7"	7-3/8"	11327G	Discard previous adaptor parts. National mounting has ten bolt circle on split ring.
Salvajor	7"	7¾"	11599A	Discard previous adaptor parts (split ring supplied).
ISE, Toledo	8"	9¼"	11327	Discard previous adaptor parts (split ring supplied).



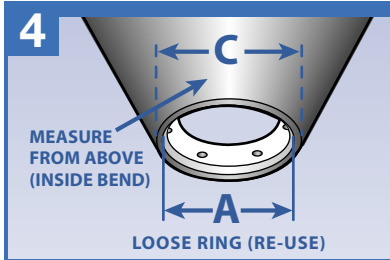
A – Diameter (sink or bowl opening)
B – Diameter (outside flange)
E – Diameter (bolt hole circle)

Normally Used By	A	B	E	No. of Bolt Holes	ISE Ring Adaptor#	Special Information
Waste King, Red Goat	4½"	6½"	5½"	6	11599	Discard previous adaptor parts. Use existing bolt holes.
American Delphi, Atomic	6"	7½"	6-7/8"	6	11378D	Discard previous adaptor parts. Use existing bolt holes.
National, Hobart	7"	8½"	8-1/16"	10	11599B	Discard previous adaptor parts.
Hobart	9"	12-1/8"	11-1/8"	8	11327E	Discard previous adaptor parts. Use existing bolt holes.



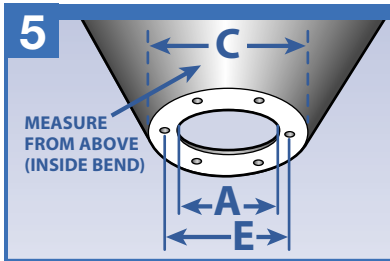
A – Diameter (sink or bowl opening)
B – Diameter (outside flange)

Normally Used By	A	B	ISE Ring Adaptor No.	Special Information
Waste King	6"	6½"	11327D	Loose ring on sink not used with this adaptor (O.D. of loose ring is 7½" with six bolts – 7" bolt hole circle diameter).



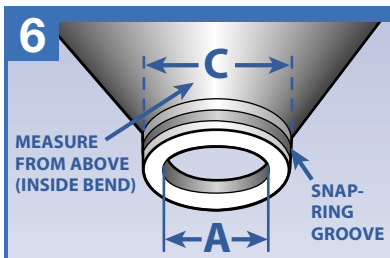
A – Diameter (sink or bowl opening)
C – Diameter (inside bend)

Normally Used By	A	C	ISE Ring Adaptor No.	Special Information
Waste King, Bus Boy	5-7/8"	6-1/2"	11327H	Re-use existing clamping ring. Request #11307 clamping ring if existing clamping ring cannot be used.
Waste King, Bus Boy	5-7/8"	6-7/8"	11327H	



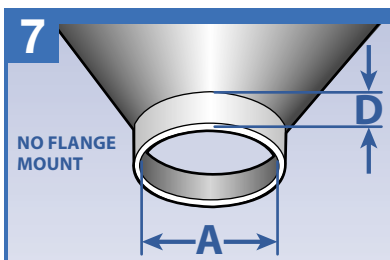
A – Diameter (sink or bowl opening)
C – Diameter (inside bend)
E – Diameter (bolt hole circle)

Normally Used By	A	C	E	No. of Bolt Holes	ISE Ring Adaptor#	Special Information
Hobart	4 1/2"	6-7/8"	5 1/2"	6	11327H	Discard previous adaptor parts.



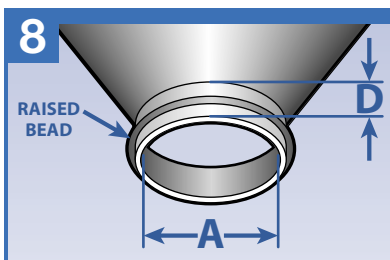
A – Diameter (sink or bowl opening)
C – Diameter (inside bend)

Normally Used By	A	C	ISE Ring Adaptor No.	Special Information
Hobart	5"	5-7/8"	11327J	Discard previous adaptor parts (clamping ring supplied).
G.E.	6"	6-3/8"	11378E	Discard previous adaptor parts – has snap ring groove on outside of sink throat.



A – Diameter (sink or bowl opening)
D – Diameter

Normally Used By	A	D	ISE Ring Adaptor No.	Special Information
Red Goat, Insinger	4 1/2"	1-1/8"	11378C	3/4" rubber connection sleeve and clamping bands. Support legs required.
Waste King	6"	1-1/8"	11378A	6/4" rubber connection sleeve and clamping bands. Support legs required.
Red Goat, Insinger	7"	1-1/8"	11378B	7/4" rubber connection sleeve and clamping bands. Support legs required.
Master	8"	1"	11599K	8/4" rubber connection sleeve and clamping bands. Support legs required.



A – Diameter (sink or bowl opening)
D – Diameter

Normally Used By	A	D	ISE Ring Adaptor No.	Special Information
Salvajor	4-7/16"	1"	11599N	Has raised bead on outside of sink throat. Support legs required.
Salvajor	6-5/8"	1"	11599H	

InSinkErator. #1 Choice of Foodservice Operations

Every InSinkErator disposer reflects an uncompromising commitment to quality as well as state-of-the-art engineering.

Unlike other manufacturers, we begin with the raw materials and build virtually every component that goes into our disposers.

It's all part of our demanding quality control programs that cover not only the initial design, but every step in the manufacturing process.

Whether you serve 25 or 2500 people, there's an InSinkErator disposer that's right for you.

Recommended Sizing Chart*

Persons per Meal	Soiled Dish Table	Vegetable Prep. Area	Salad Prep. Area	Pot Sink	Meat Prep. Area
Up to 100	SS-75	SS-50	-	-	-
100-150	SS-100	SS-75	SS-50	SS-50	-
150-175	SS-125	SS-100	SS-75	SS-50	SS-150
175-200	SS-150	SS-150	SS-75	SS-75	SS-150
200-300	SS-200	SS-150	SS-75	SS-75	SS-300
300-750	SS-300	SS-150	SS-75	SS-75	SS-300
750-1500	SS-500	SS-300	SS-150	SS-150	SS-500
1500-2500	(2) SS-500	SS-300	SS-150	SS-150	SS-500

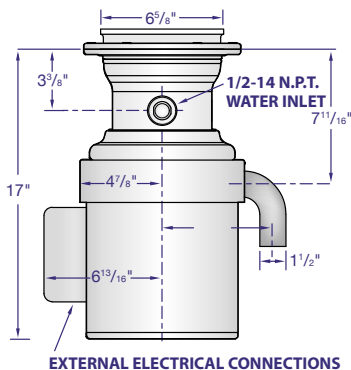
2500-over Contact your Food Service Consultant or InSinkErator

For special applications, such as supermarkets or other heavy, continuous volume installations, select Models SS-750 or SS-1000

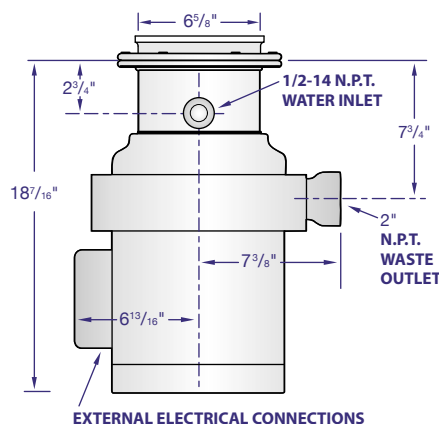
* The models listed are the minimum size InSinkErator disposer to be used at the point-of-origin for food wastes. Sizing recommendations are given in general terms. Actual capacities vary depending on the type of food waste.

10 Stainless Steel Models from 1/2 H.P. to 10 H.P. in three basic sizes.

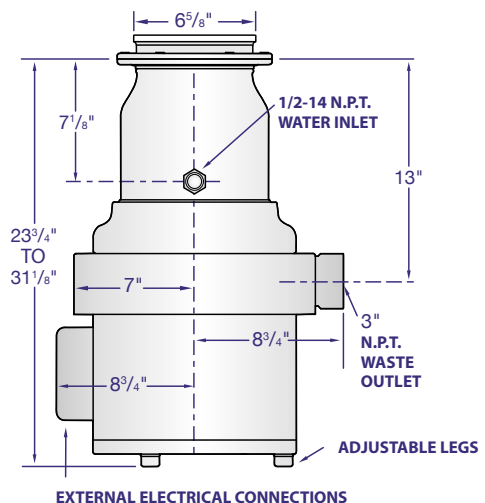
SS-50 to SS-125



SS-150 to SS-200



SS-300 to SS-1000



4700 21st Street
Racine, WI 53406
1-800-845-8345
www.insinkerator.com

