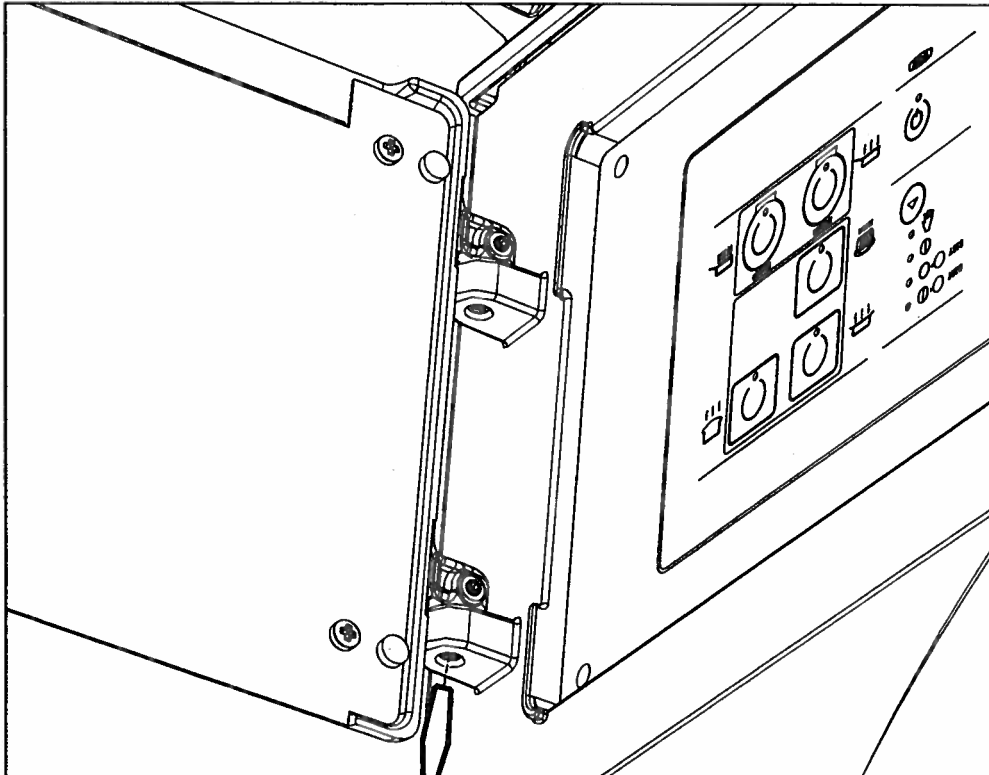
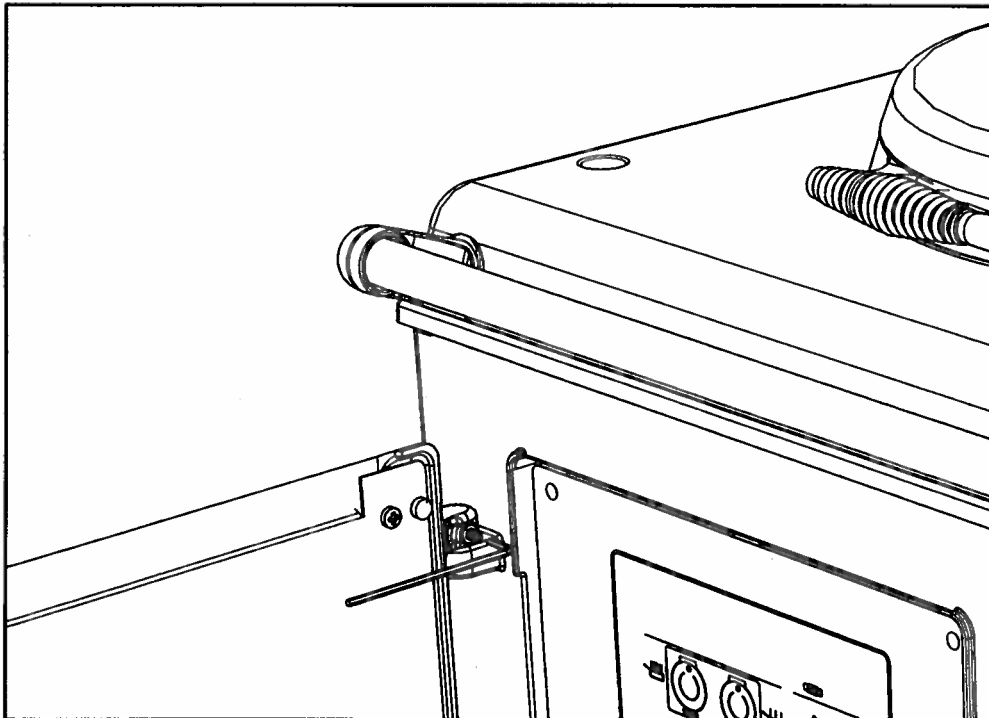


## Aga TC3 USA Door adjustment guide



After the doors have been attached to the Aga they may need final adjustment to ensure correct fit. The adjustment pins are located in the front plate lugs and can be adjusted using a flat blade screw driver



After the doors have been correctly adjusted the pins must be locked in position using the grub screws located in the door lugs. A 3mm allen key has been supplied with your Aga for this purpose.