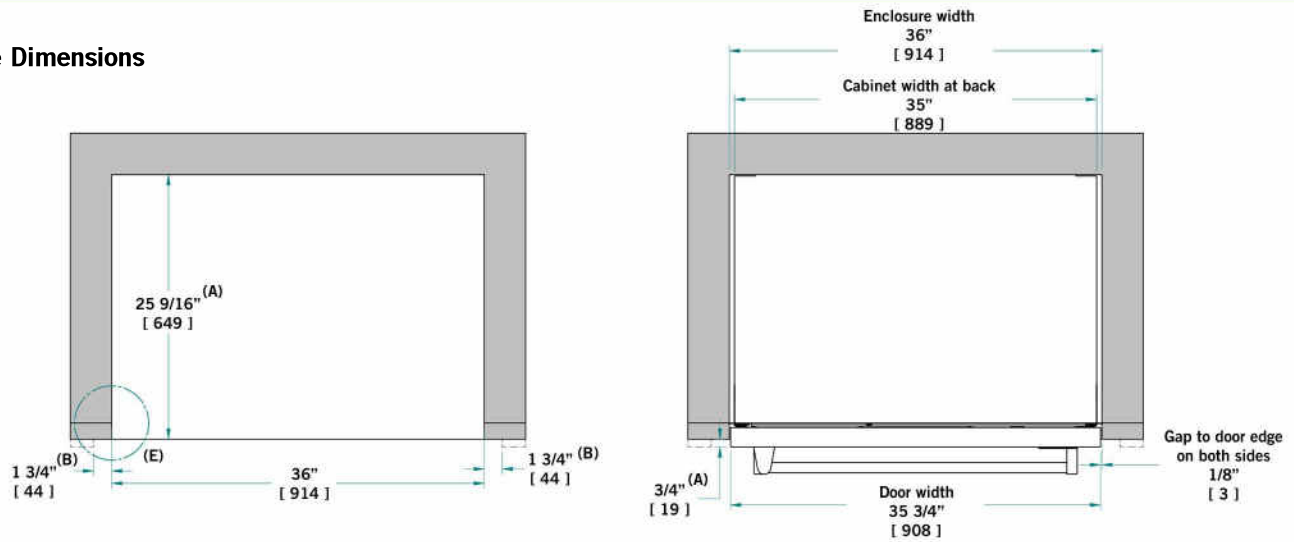
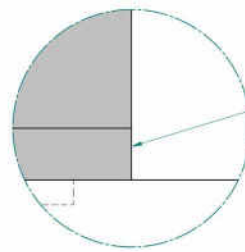


Enclosure Dimensions

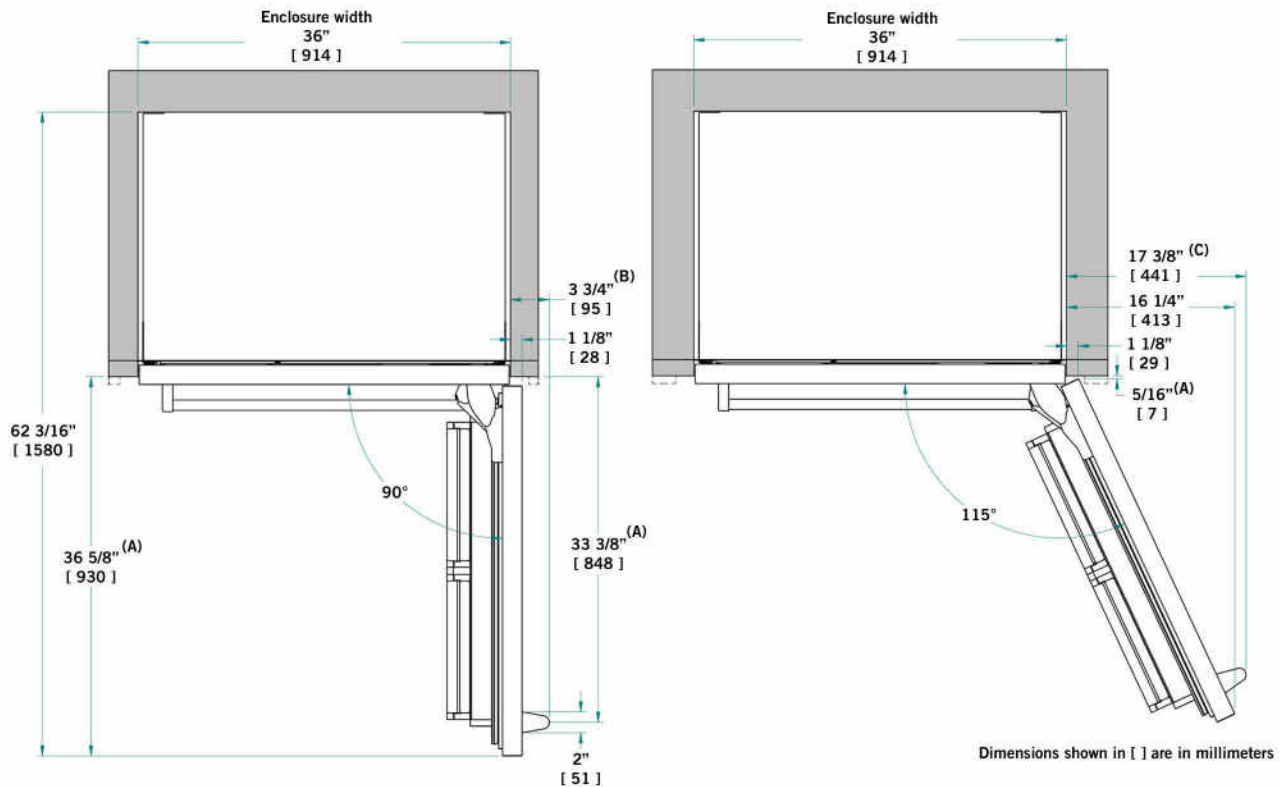


Notes: Except where noted, dimensions are from enclosure to refrigerator.

- (A) If depth is greater than 25 9/16", add shims as needed for anchor bracket. If door protrudes less than 3/4", door will not open properly, and damage to enclosure may occur.
- (B) If decorative trim or other element is applied to front of enclosure, it must be at least 1 3/4" away from enclosure opening.



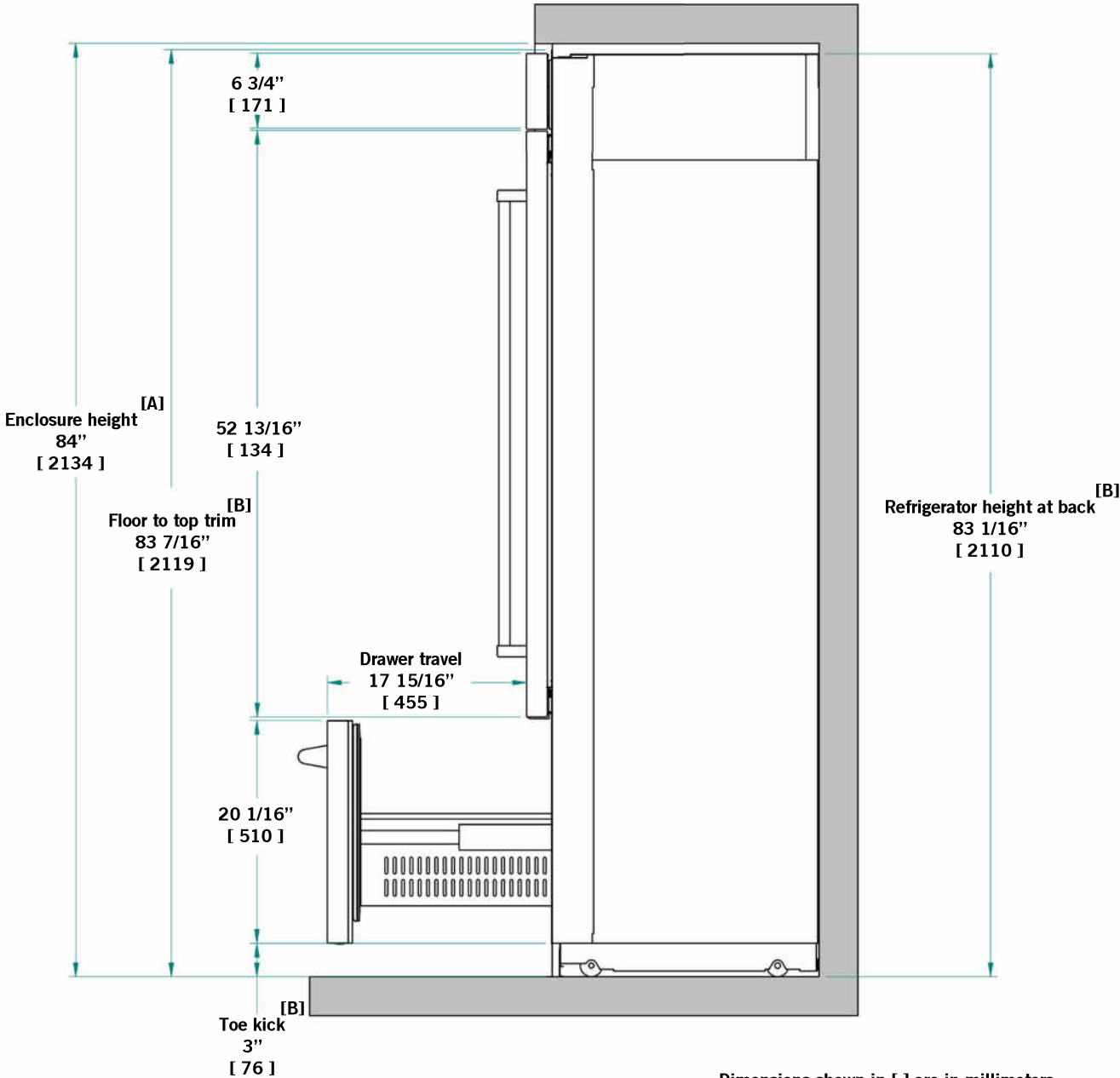
Inside of kitchen cabinet enclosure should be finished back at least 3" in these areas. Interior will be visible when doors are opened. (Both sides of enclosure opening.)



Notes: Except where noted, dimensions shown are from enclosure to refrigerator.

- (A) Dimension shown based on an enclosure depth of 25 9/16". If the enclosure is shallower, adjust dimension accordingly.
- (B) Recommended minimum side wall clearance of 4 3/4" for 90° door opening.
- (C) Recommended minimum side wall clearance of 18 3/8" for full 115° door opening.

INSTALLATION DIMENSIONS LOW PROFILE INSTALL



- Notes:**
- (A) Recommended enclosure height based on installation method:
 - Low Profile: 83 1/2" - 84"
 - (B) Dimensions shown are with rollers in minimum position as shipped. Unit can be raised 1" max.