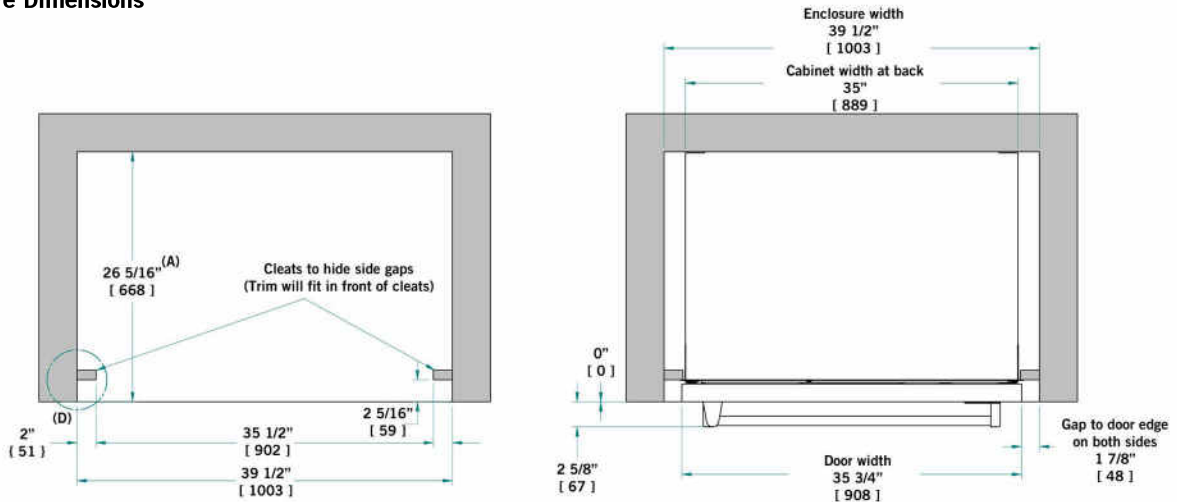
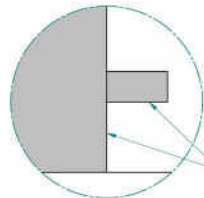


Enclosure Dimensions



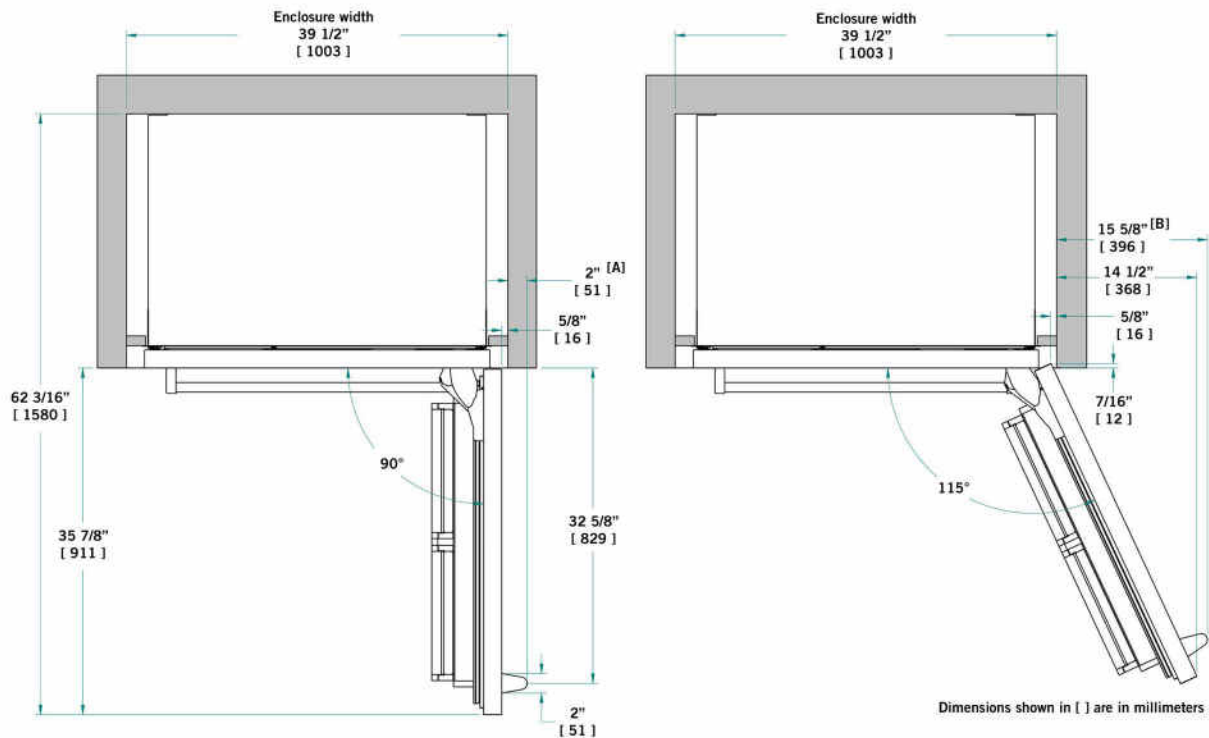
Notes: Except where noted, dimensions are from enclosure to refrigerator.

(A) If depth is greater than 26 5/16", add shims as needed for anchor bracket.



Detail D

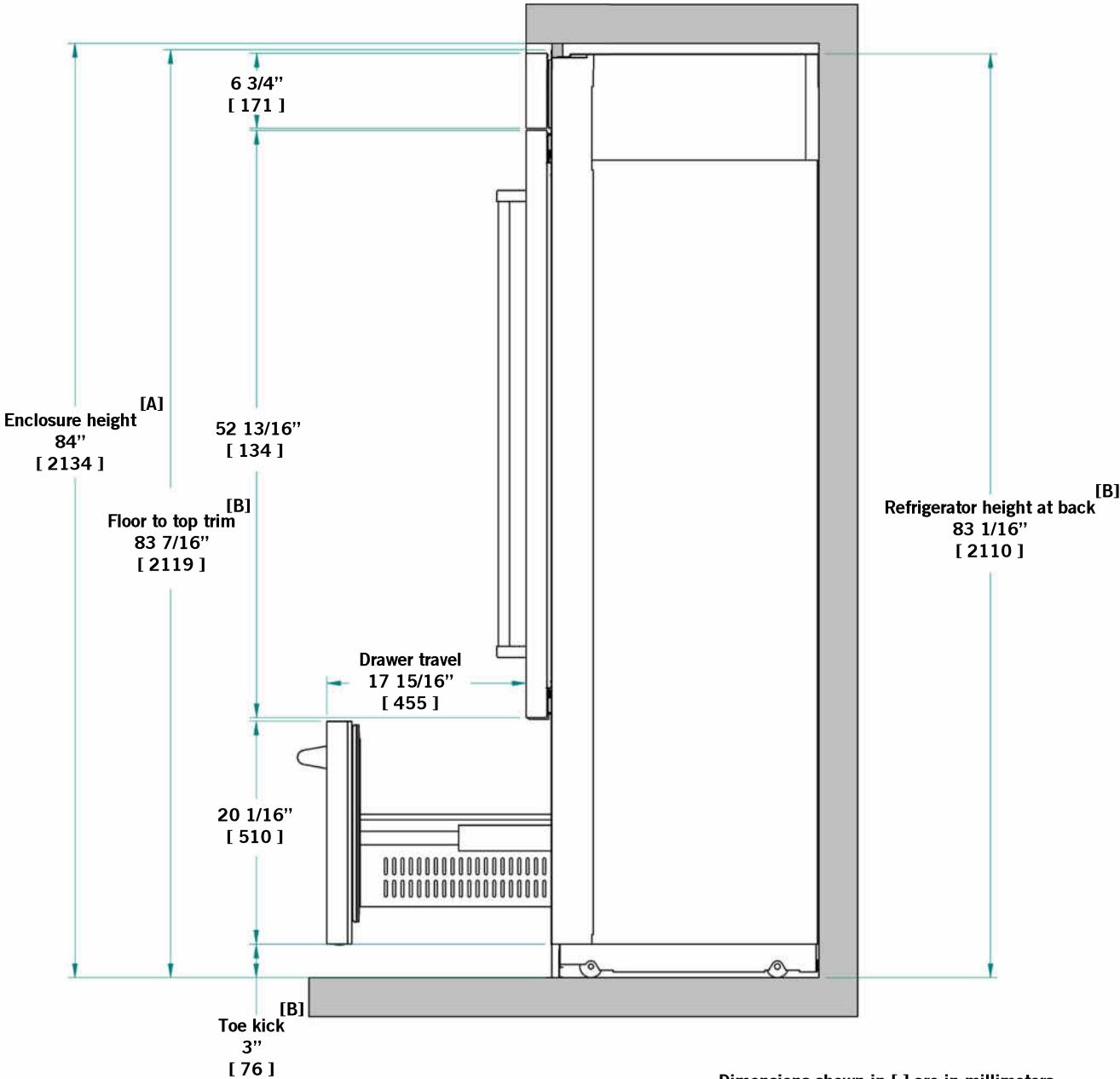
Inside of kitchen cabinet enclosure should be finished in these areas. (Both sides of the opening)



Notes: Except where noted, dimensions shown are from enclosure to refrigerator

(A) Recommended minimum side wall clearance of 3" for 90° door opening
 (B) Recommended minimum side wall clearance of 16 5/8" for 115° door opening

INSTALLATION DIMENSIONS FLUSH INSTALL



- Notes:
- (A) Recommended enclosure height based on installation method:
 - Flush: 83 1/2" - 84"
 - (B) Dimensions shown are with rollers in minimum position as shipped. Unit can be raised 1" max.