



CONVENTIONAL MICROWAVE OVEN

Viking 5 Series – VMOS

PROFESSIONAL FEATURES

- 13 Sensor settings - sensor adjusts cooking times and power levels for a variety of foods and quantities
- Breakfast and Lunch options for cooking and re-heating popular food items
- 15 Minute Dinners and Preset Recipes each offer 5 recipes with easy-to-follow steps
- Add-A-Minute allows a minute of extra cooking time to be added with the touch of a button
- Warm/Hold feature allows food to be kept warm for up to 30 minutes
- Child Lock safety feature locks the control panel to prevent unwanted operation

SPACIOUS OVEN CAVITY

- 2.0 cubic ft. (56.6 liters) oven capacity
 - 17-3/8"W. x 10-1/2"H. x 18-5/8"D.
- 16" (40.6 cm) diameter turntable
- Interior light

INSTALLATION OPTION

- Place on countertop or install as a built-in using the optional trim kit accessory
- Built-in trim kits designed to match corresponding ovens and warming drawers (sold separately)
 - Available in 27" and 30" widths
- Install flush to the cabinet with Flush Mount Installation Kit accessory (for use with all built-in trim kits)



MODEL NUMBERS

- VMOS501SS – Conventional Microwave

ACCESSORIES

- VMTK272SS – 27"W. Built-In Trim Kit
- VMTK302SS – 30"W. Built-In Trim Kit
- PMF302TKSS – 30"W. Flush Mount Trim Kit

COLOR FINISHES

- Available in Stainless Steel (SS)

WARRANTY

- 2-year full - complete product
- 90-day full - cosmetic parts such as glass, painted items and decorative items
- 5-year limited - magnetron tube

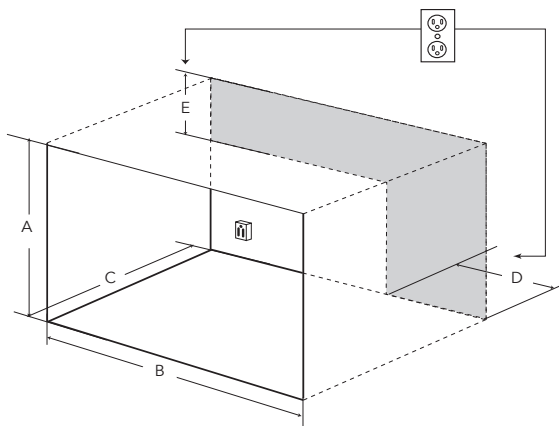


MICROWAVE OVEN

Viking 5 Series – VMOS

	MICROWAVE OVEN	27" AND 30" WIDE TRIM KITS	
DESCRIPTION	VMOS501	VMTK272	VMTK302
Overall Width	24" (60.9 cm)	26-1/2" (67.3 cm)	29-1/2" (74.9 cm)
Overall Height	13-3/8" (33.9 cm)	18-1/4" (46.3 cm)	
Overall Depth	19-1/4" (48.9 cm)	-	
Cutout Width	-	24-3/8" (61.9 cm) minimum; 24-11/16" (62.7 cm) maximum	
Cutout Height	-	16-3/4" (42.5 cm) minimum; 17" (43.2 cm) maximum	
Cutout Depth	-	20-1/8" (51.1 cm) minimum	
Electrical Requirements	120VAC/60Hz	-	
Maximum Amp Usage	1.5 kW, 13.0 amps	-	
Oven Interior Dimensions	Width – 17-3/8" (44.1 cm) Height – 10-1/2" (26.6 cm) Depth – 18-5/8" (47.3 cm) Overall Size – 2.0 cu. ft.	-	
Approximate Shipping Weight	46 lb. (20.9 kg)	14 lb. (6.5 kg)	15 lb. (6.9 kg)

Please do not prepare installation from brochure data only. See installation instructions for important clearance/installation information.



	Conventional
A (Height)	Min. 16-3/4" (42.5 cm) Max. 17" (43.2 cm)
B (Width)	Min. 24-3/8" (61.9 cm) Max. 24-11/16" (62.7 cm)
C (Depth)	Min. 20-1/8" (51.1 cm)
D	-
E	-



VIKING RANGE, LLC 111 FRONT STREET GREENWOOD, MISSISSIPPI 38930 USA

For detailed product information, model numbers, or to request a quote call 1-888-845-4641 or visit vikingrange.com

© 2018 Viking Range, LLC All rights reserved. Specifications subject to change without notice.