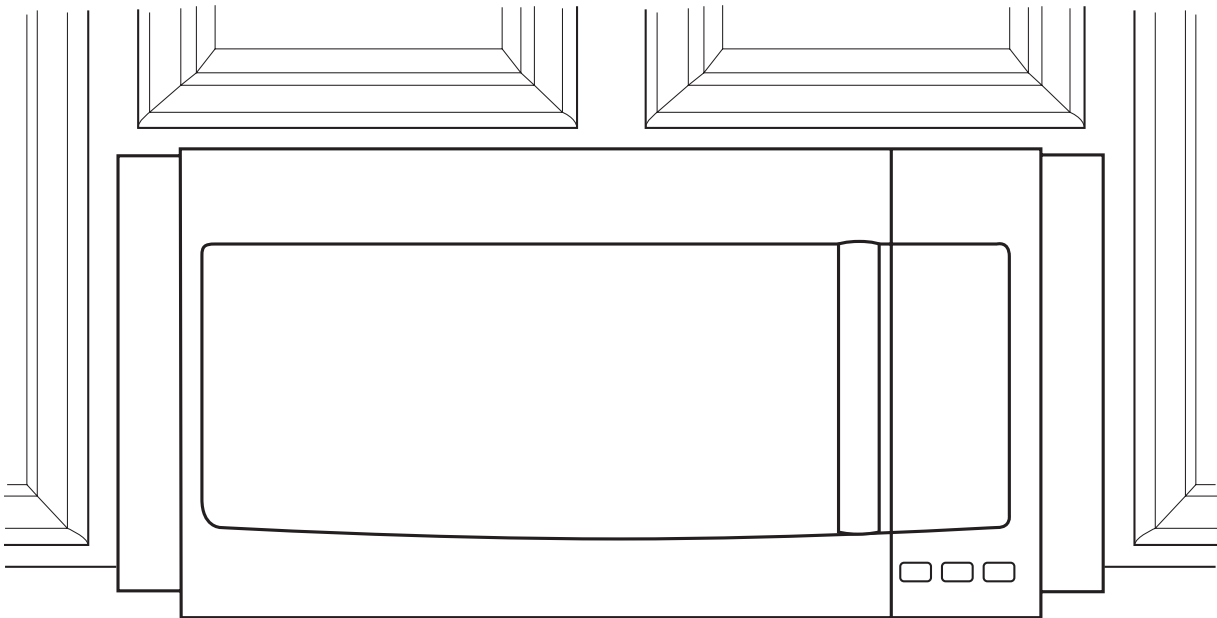


# Installation Instructions

# Filler Panel Kit

JX36

FOR 36" INSTALLATIONS



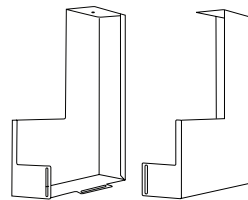
Kit	Model
JX36B	CVM1750/CVM1790/CSA1201/ PSA9120/PSA9240/JVM3162/ JNM3163/PVM9179EF/ PVM9179DF/PVM9179SF
JX36C	JVM6170/JNM6171/JVM6172/ JVM6175/JVM6177
JX36D	JVM7195/DVM7195/JNM7196/ PVM9195/PNM9196/PVM9215/ PNM9216/ PVM9179EK/PVM9179DK/ PVM9179SK CVM9179/CVM9215

## TOOLS YOU WILL NEED

- Phillips screwdriver

## PARTS INCLUDED

- Trim kit side mount (2)
- Installation screws (2)



- Connecting Bar (1)

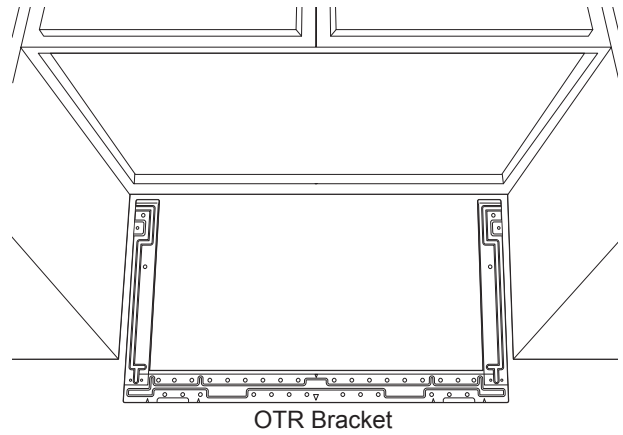


# Installation Instructions

Install the OTR bracket according to OTR Installation Instructions.

**NOTE:** This kit is best installed with 12" base cabinets. Cabinets with greater than a 12" base may have a larger gap between back wall and kit.

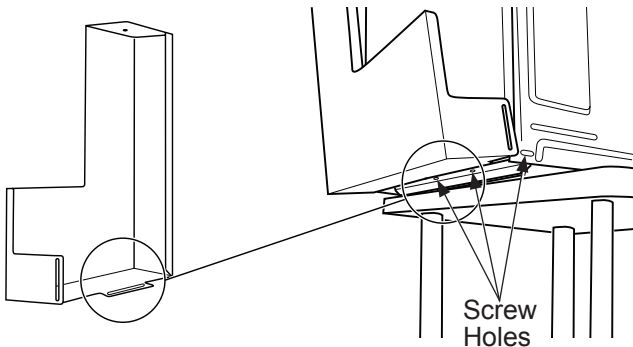
**NOTE:** Ensure the OTR and the Cooking Product installation manuals are followed.



## KIT INSTALLATION

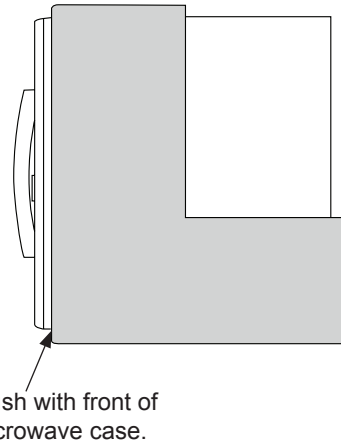
1. Place the microwave on a flat surface where you can work on the bottom of both sides.
2. Remove all 3 pieces from the package (right panel, left panel, top brace).
3. Remove the screws from the lower back corner of the microwave.
4. Your microwave will have 1-3 screws on the bottom left side. Remove these screws to create a gap between the bottom plate and the case of the microwave.

**NOTE:** For CVM9179 and CVM9215, Also remove the screw from the bottom left front side attaching the heat deflector.

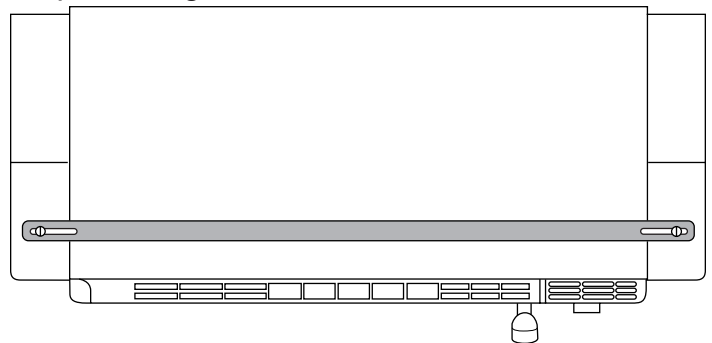


5. With the short edge of the side trim to the back of the left side of the microwave, slide the lower lip of the side panel inside the gap between the bottom plate and the case.
6. Attach the side trim to the back of the microwave using the screw removed in step 3, then reattach the screws removed in step 4 to the underside of the microwave.

7. Make adjustments so the side panel is in line with the front of the microwave case.



8. Repeat the same procedure for the other side.
9. Using the 2 flat head screws provided, attach the top brace to the 2 side panels to pull both panels together.



10. Install the over-the-range microwave with side panels into the 36" opening.

**NOTE:** Make sure you have installed the mounting wall bracket in the center of the 36" opening per the installation instructions provided with your microwave.