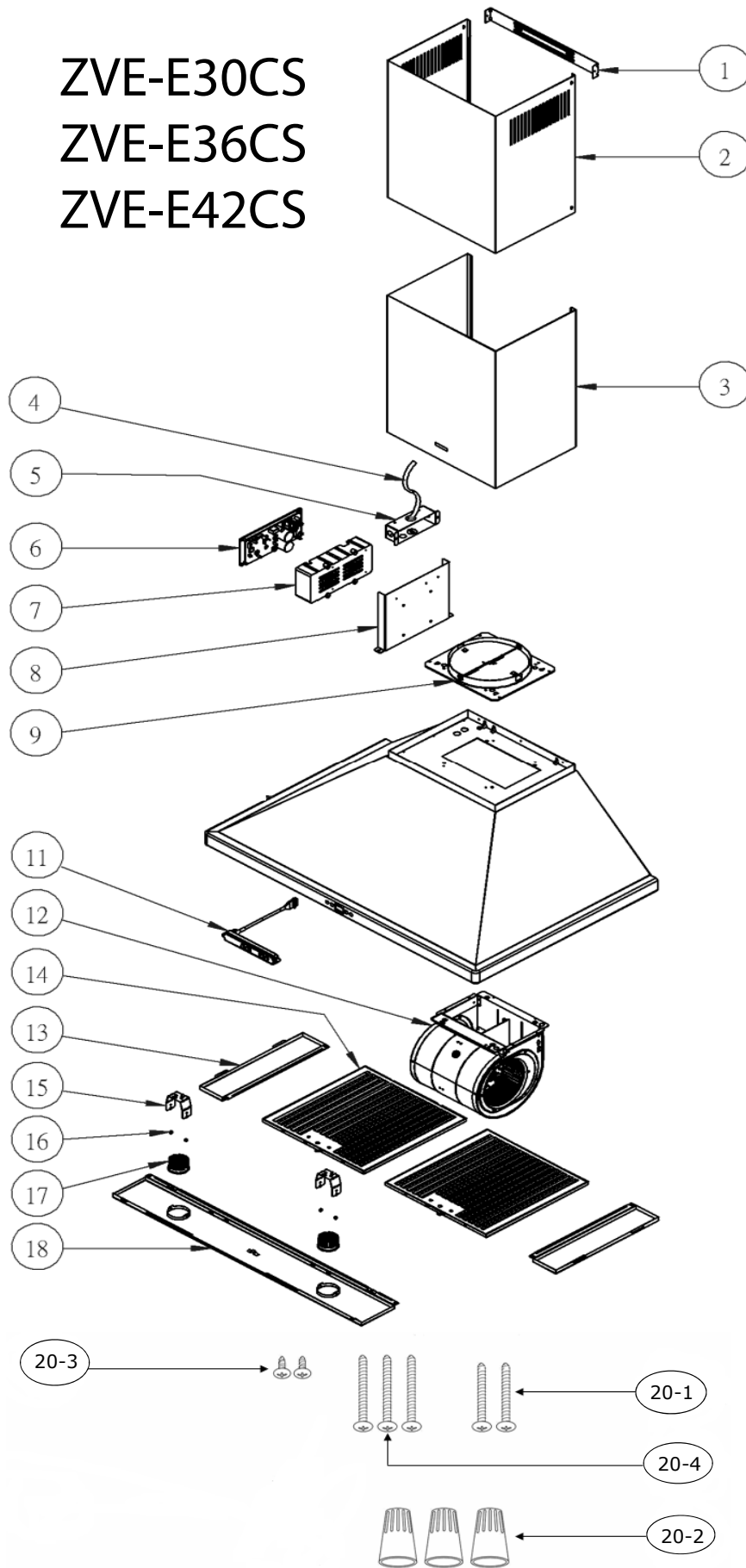


ZVE-E30CS
ZVE-E36CS
ZVE-E42CS



ZEPHYR

Venezia

ZVE-E30CS, ZVE-E36CS, ZVE-E42CS

| Ref # | Part # | Description | Qty. |
|-------|----------|---------------------------|------|
| 1 | 54110044 | Bracket, Duct Cover | 1 |
| 2 | 50050131 | Duct Cover, Upper | 1 |
| 3 | 50050132 | Duct Cover, Lower | 1 |
| 4 | 11030070 | Wiring, Electrical | 1 |
| 5 | 50500085 | Box, Electrical | 1 |
| 6 | 11010051 | Control Board | 1 |
| 7 | 54200019 | Box, Component | 1 |
| 8 | 54140120 | Plate, Component | 1 |
| 9 | 54050080 | Collar, 8" round w/damper | 1 |
| 11 | 11000064 | Switch Assembly | 1 |
| 12 | 12120064 | Motor | 1 |
| 13 | 50120082 | Panel, Side (ZVE-E36CS) | 2 |
| 13 | 50120083 | Panel, Side (ZVE-E42CS) | 2 |
| 14 | 50210023 | Baffle Filter | 2 |
| 15 | 54140182 | Bracket, Light | 2 |
| 16 | 56240023 | Spacer, Rubber | 4 |
| 17 | Z0B0034 | Bulb, Bloom LED, 6W | 2 |
| 18 | 50110146 | Panel, Light (ZVE-E30CS) | 1 |
| 18 | 50110147 | Panel, Light (ZVE-E36CS) | 1 |
| 18 | 50110148 | Panel, Light (ZVE-E42CS) | 1 |
| 20 | 05000081 | Hardware Packet | 1 |
| 20-1 | 01090001 | Screw, M6 x 1" | 2 |
| 20-2 | 15000002 | Wire Nut | 3 |
| 20-3 | 01070006 | Screw, M4 x 8mm | 2 |
| 20-4 | 01070015 | Screw, M6 x 1 1/4" | 3 |

FEB15.0101