

A timeless and classic design, Venezia's formidable pyramid design now includes baffle filters and Zephyr's DCBL Suppression System® elevating this ageless range hood to unparalleled levels of performance. With directional

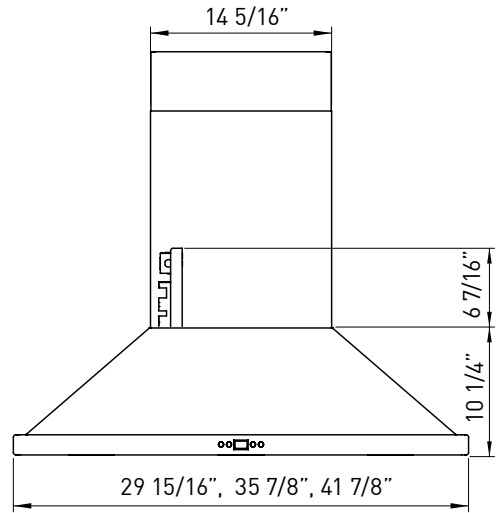
Bloom™ HD LED light bulbs, Venezia's 24-inch deep capture area is fully illuminated with warm halogen-caliber light, while remaining cool to the touch. Now available with an optional wireless remote control.



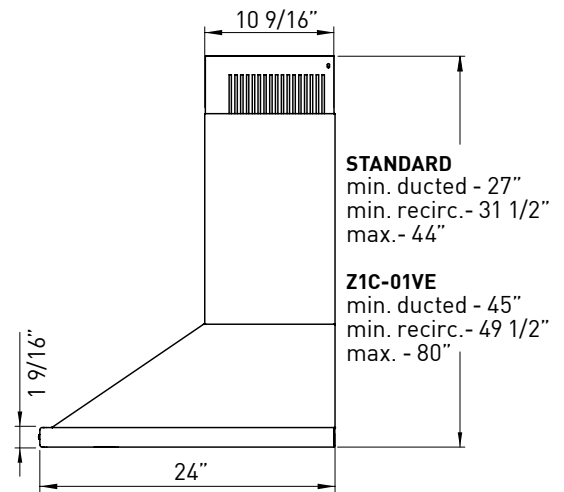
ACT™

Min. - Max. CFM	INTERNAL BLOWER STANDARD	INTERNAL BLOWER with ACT™ AIRFLOW CONTROL TECHNOLOGY™*		
	250 - 715	250 - 590	250 - 390	250 - 290
Min. - Max. Sones	0.8 - 5.8	0.8 - 4.5	0.8 - 3	0.8 - 1.2

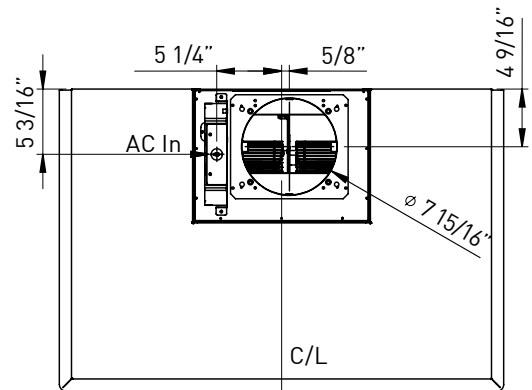
\*AIRFLOW CONTROL TECHNOLOGY™ (ACT™) is an exclusive feature built into specific Zephyr hoods which can limit the maximum blower CFM to meet local code requirements.



FRONT



SIDE



TOP




Optional Wireless Remote Control

MODEL	ZVE-E30CS	ZVE-E36CS	ZVE-E42CS
Stainless Steel			
<b>Size</b>	30"	36"	42"
Blower CFM (Min. - Max.)	250 - 715	250 - 715	250 - 715
Sones (Min. - Max.)	0.8 - 5.8	0.8 - 5.8	0.8 - 5.8
ACT 590 CFM (Min. - Max.)	250 - 590	250 - 590	250 - 590
ACT 590 Sones (Min. - Max.)	0.8 - 4.5	0.8 - 4.5	0.8 - 4.5
ACT 390 CFM (Min. - Max.)	250 - 390	250 - 390	250 - 390
ACT 390 Sones (Min. - Max.)	0.8 - 3	0.8 - 3	0.8 - 3
ACT 290 CFM (Min. - Max.)	250 - 290	250 - 290	250 - 290
ACT 290 Sones (Min. - Max.)	0.8 - 1.2	0.8 - 1.2	0.8 - 1.2
<b>FEATURES</b>			
DCBL Suppression System®	Yes	Yes	Yes
ACT™ Technology	Yes	Yes	Yes
Controls	Electronic LCD	Electronic LCD	Electronic LCD
Speed Levels	5 + Burst	5 + Burst	5 + Burst
Auto Delay-Off	Yes	Yes	Yes
Directional Lighting	Bloom™ HD LED, 6W x2	Bloom™ HD LED, 6W x2	Bloom™ HD LED, 6W x2
Dual-Level Lighting	Yes	Yes	Yes
Filters	Baffle x2	Baffle x2	Baffle x2
Recirculating Option	Yes	Yes	Yes
Extension Duct Cover Option	Yes, Up to 12' Ceiling	Yes, Up to 12' Ceiling	Yes, Up to 12' Ceiling
ADA Compliant	Yes (with remote accessory)	Yes (with remote accessory)	Yes (with remote accessory)
<b>DUCT SPECIFICATIONS</b>			
Vertical Internal Blower	8" Round	8" Round	8" Round
Horizontal Internal Blower	NA	NA	NA
AC POWER	120V, 60Hz at Max. 4A	120V, 60Hz at Max. 4A	120V, 60Hz at Max. 4A
<b>OPTIONAL ACCESSORIES</b>			
Wireless Remote Control	RC-0001	RC-0001	RC-0001
Recirculating Kit	ZRC-02VE	ZRC-02VE	ZRC-02VE
Extension Duct Cover	Z1C-01VE	Z1C-01VE	Z1C-01VE
Make-Up Air Kit	MUA008A	MUA008A	MUA008A
<b>MOUNTING HEIGHT RANGE*</b>	26" - 34"	26" - 34"	26" - 34"
<b>WARRANTY</b>	3 years parts, 1 year labor	3 years parts, 1 year labor	3 years parts, 1 year labor

CEILING HEIGHT		8'	8.5'	9'	9.5'	10'	10.5'	11'	12'
STANDARD DUCT COVER	Ducted Mounting Height*	26" - 33"	26" - 34"	28" - 34"	34" - 34"	NA	NA	NA	NA
	Recirc Mounting Height*	26" - 28.5"	26" - 34"	28" - 34"	34" - 34"	NA	NA	NA	NA
EXTENSION DUCT COVER	Ducted Mounting Height*	NA	NA	26" - 27"	26" - 33"	26" - 34"	26" - 34"	26" - 34"	28" - 34"
	Recirc Mounting Height*	NA	NA	NA	26" - 28.5"	26" - 34"	26" - 34"	26" - 34"	28" - 34"

\*Mounting height refers to distance between top of a 36" tall cooking surface and bottom of hood.

**DCBL**  DCBL Suppression System® offers up to 77% less noise, up to 30% more CFM, and up to 77% more energy efficiency for the most advanced range hood technology.

**ACT**™ AIRFLOW CONTROL TECHNOLOGY™ (ACT™) is an exclusive feature built into specific Zephyr hoods which can limit the maximum blower CFM to meet local code requirements.

Specifications subject to change, check zephyronline.com for up-to-date information.  
Zephyr Ventilation | 2277 Harbor Bay Parkway, Alameda, CA 94502 | 888.880.VENT

SEP17.0101

