

OG30

FEATURES

- Three individually contained grill burners for versatile cooking
- Utilizes both direct and radiant heat for more thorough grilling
- Two-position rotisserie handles foods big and small
- Heavy-duty stainless steel construction
- Rigorously tested in our U.S. manufacturing facilities for decades of use
- Exceptional 24/7 support from our Customer Care team in Madison
- Halogen lights for night-time grilling
- Electric hot surface ignition for reliable start ups
- Double-wall hood front holds in heat
- Hood assist system makes opening and closing easy
- Three-position warming rack for the exact temperature you want
- Stainless steel burner grates

ACCESSORIES

- 30" Grill Liner
- Black Knobs
- Built-In Cover
- Cart Cover
- Griddle Plate
- Stainless steel portable grill cart with fold-down side shelves
- Griddle Plate
- Stainless steel doors and drawers for built-in enclosure

Accessories available through an authorized dealer.
For local dealer information, visit subzero-wolf.com/locator.



KNOB OPTIONS



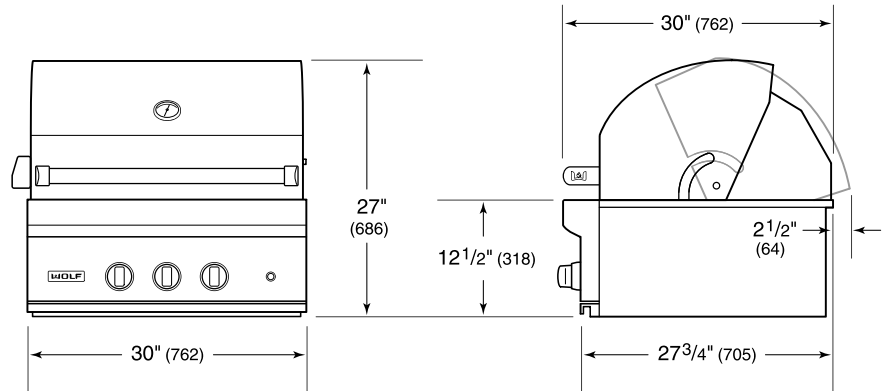
GRILL SPECIFICATIONS

- 1 - 14,000 Btu Rotisserie Burner
- 2 - 25,000 Btu Burners

PRODUCT SPECIFICATIONS

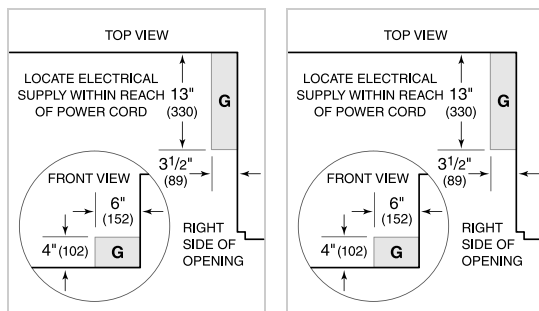
Model	OG30
Dimensions	30"W x 27"H x 30"D
Weight	216 lbs
Electrical Supply	120 VAC, 60 Hz
Electrical Service	15 amp dedicated circuit
Gas Supply	3/4" ID line
Gas Inlet	1/2" NPT female
Power Cord Length	5 Feet
Receptacle	3-prong grounding-type

DIMENSIONS



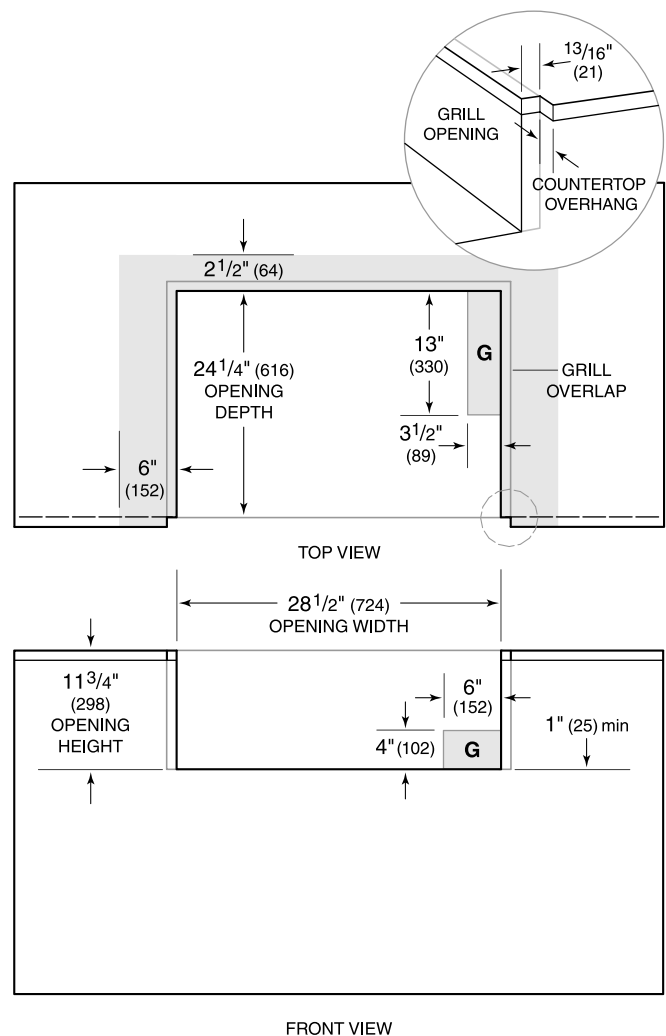
ELECTRICAL

GAS



NOTE: Dimensions in parenthesis are in millimeters unless otherwise specified

STANDARD INSTALLATION



NOTE: Shaded area above countertop indicates minimum clearance to combustible surfaces, combustible materials cannot be located within this area.