

**VW30B**

**FEATURES**

- Heavy-duty stainless steel with black glass
- Powerful blower options
- LED lights with two brightness settings
- Front-mounted electronic controls
- Dishwasher-safe filters
- Telescoping chimney reaches standard ceiling heights
- Rigorously tested in our U.S. manufacturing facilities for decades of use
- Exceptional 24/7 support from our Customer Care team in Madison

**ACCESSORIES**

- Backsplash
- Flue Extension
- Chimney Extension - accommodates most 10' ceilings
- Make-up air damper
- Recirculating kit and filter for non-ducted applications
- Recirculating Filter
- Remote Control
- 30" x 30" Stainless Steel Wall Shield
- Inline Blowers
- Internal Blowers
- Remote Blowers

Accessories available through an authorized dealer.  
For local dealer information, visit [subzero-wolf.com/locator](http://subzero-wolf.com/locator).



**BLOWER OPTIONS**

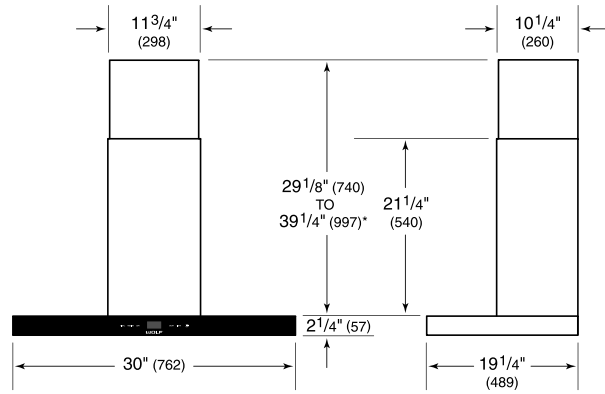
- 300 CFM Internal
- 600 CFM Internal
- 600 CFM Inline
- 600 CFM Remote

**PRODUCT SPECIFICATIONS**

Model	VW30B
Dimensions	30"W x 2 1/4"H x 19 1/4"D
Weight	53 lbs
Electrical Supply	110/120 VAC, 60 Hz
Electrical Service	15 amp dedicated circuit
Discharge Location	Vertical
Discharge Dimensions	6" Round
Bottom of Hood to Countertop	24" to 36"
Receptacle	3-prong grounding-type

**NOTE:** Dimensions in parenthesis are in millimeters unless otherwise specified

**DIMENSIONS**



\*49 1/8" (1248) to 59 1/4" (1505) with accessory flue extension.