

BI-42SID/O



FEATURES

- LED Lighting for brighter interior

- Overlay design accepts cabinetry panels of all kinds

- Ice and chilled water dispenser inside the refrigerator marries convenience and aesthetics

- Dual refrigeration keeps food fresher longer

- Air purification system fights spoilage, odors

- Crispers and deli drawers in low-temp, high-humidity zones for optimum freshness

- Microprocessor control assures peak performance

- Water-filtration system reduces contaminants, chlorine taste and odor

- Freshness cards for maximum food preservation

- Rigorously tested in our U.S. manufacturing facilities to ensure decades of use

- Exceptional 24/7 support from Madison, WI-based Customer Care team

- Magnetic door seal system locks in cold air

- Automatic ice maker with "max ice" feature

- Adjustable shelves for maximum convenience

ACCESSORIES

- 42" Stainless Steel Kickplate

- Air Purification Cartridge

- Custom Front Panel Mounting Kit

- Custom Side Panel Mounting Kit

- Egg Container

- Extended Framed Handle Kit

- Framed Handle Kit

- Framed Louvered Grille Insert

- Framed Stainless Steel Front Panels

- Framed White Front Panels

- Pro Louvered Flush Inset Grille - 84"

- Stainless Steel Flush Inset Freezer Door Panel with Pro Handle

- Stainless Steel Flush Inset Grille Panel

- Stainless Steel Flush Inset Refrigerator Door Panel with Pro Handle

- Stainless Steel Flush Inset Refrigerator Door Panel with Tubular Handle

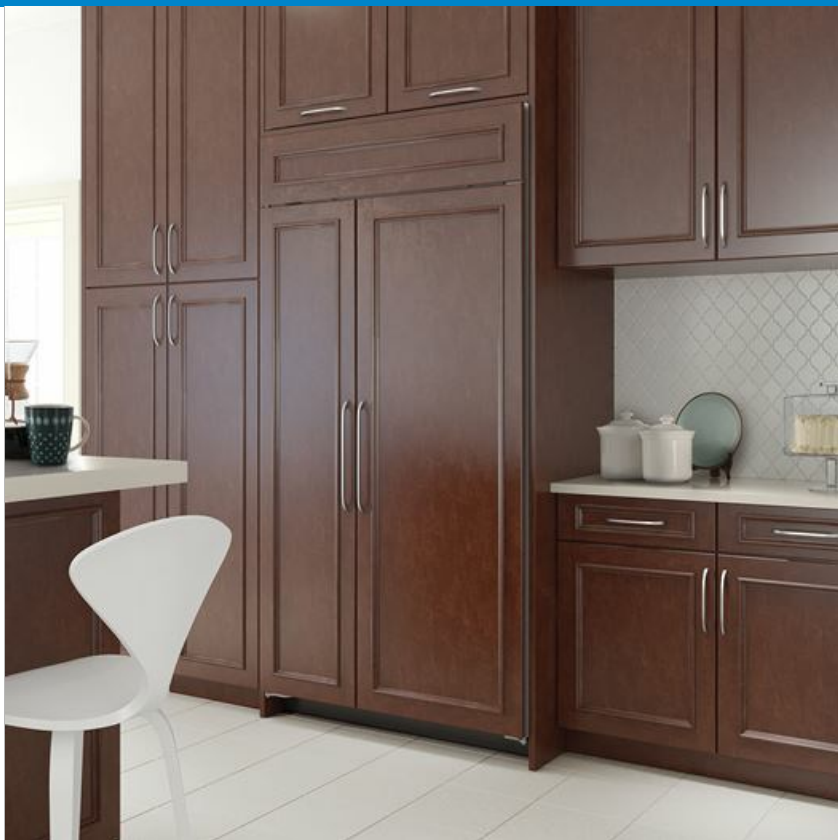
- Stainless Steel Side Panel

- Stainless Steel Flush Inset Freezer Door Panel with Tubular Handle

- Water Filter 4204490

- White Side Panel

- Side panel mounting kit



HANDLE ACCESSORIES



PRODUCT DETAILS

REFRIGERATOR

- Internal ice and water dispenser
- 4 Adjustable glass shelves
- 1 Stationary glass shelf
- 1 High-humidity drawer with divider
- 2 Storage drawers with divider
- 3 Adjustable door shelves
- 2 Stationary door shelves
- Adjustable dairy compartment

FREEZER

- 3 Adjustable wire shelves
- 1 Stationary solid shelf
- 3 Storage drawers
- 5 Adjustable door shelves
- Automatic ice maker

Stainless Steel Pro Handles

Stainless Steel Tubular Handles

Built-In Louvered Grilles

Built-In Overlay or Flush Inset Grille Frames

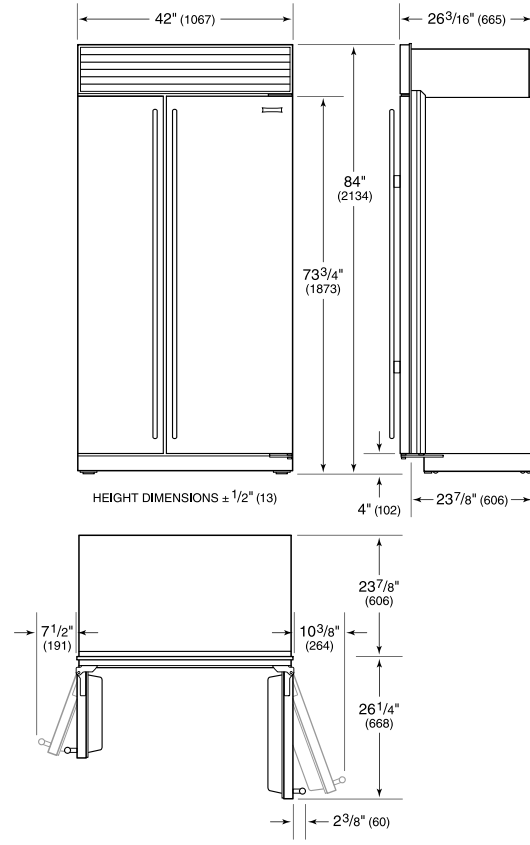
Accessories are available through an authorized dealer.
For local dealer information, visit subzero-wolf.com/locator.

Specifications are subject to change without notice. This information was generated on August 2, 2018. Verify specifications prior to finalizing your cabinetry/enclosures.

PRODUCT SPECIFICATIONS

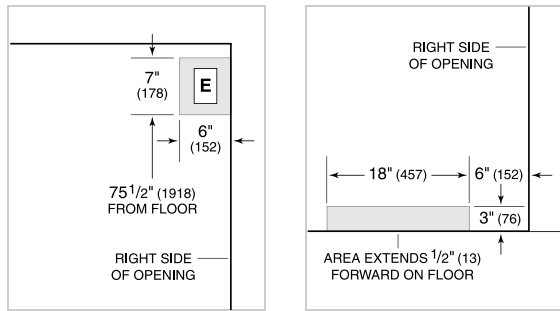
Model	BI-42SID/O
Dimensions	42"W x 84"H x 24"D
Door Clearance	26 1/4"
Weight	608 lbs
Refrigerator Capacity	15.8 cu. ft.
Freezer Capacity	7.9 cu. ft.
Electrical Supply	115 VAC, 60 Hz
Electrical Service	15 amp dedicated circuit
Receptacle	3-prong grounding-type

DIMENSIONS



ELECTRICAL

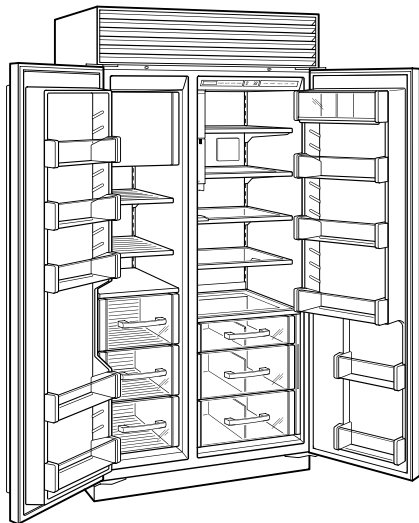
PLUMBING



PANEL SPECIFICATIONS For complete panels specifications including width/height, weight requirements, thickness requirements and offset details visit subzero-wolf.com/builtinconfigurator.

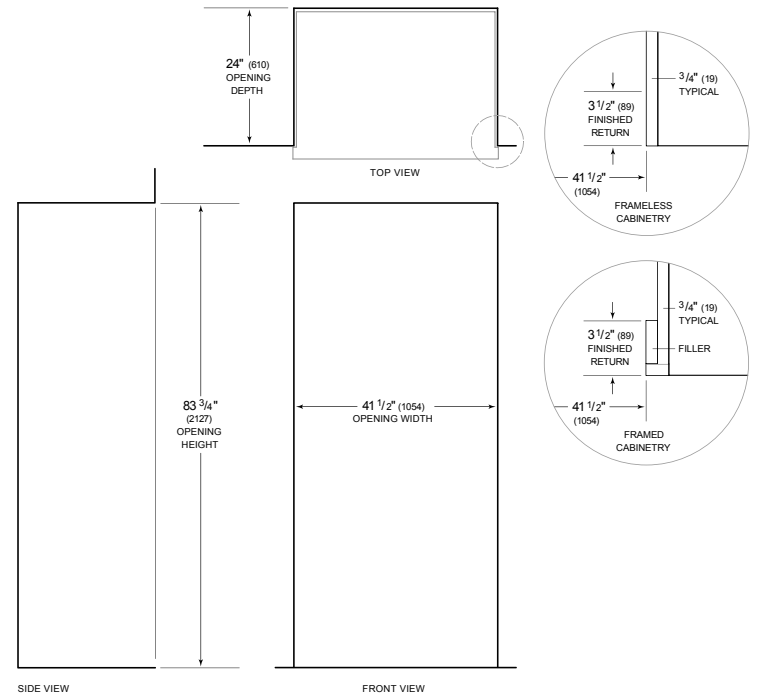
NOTE: Dimensions in parenthesis are in millimeters unless otherwise specified

INTERIOR VIEW



This illustration is intended for interior reference only and may not represent the exterior of the model being specified.

STANDARD INSTALLATION



NOTE: 3 1/2" (89) finished returns will be visible and should be finished to match cabinetry. Shaded line represents profile of unit.