

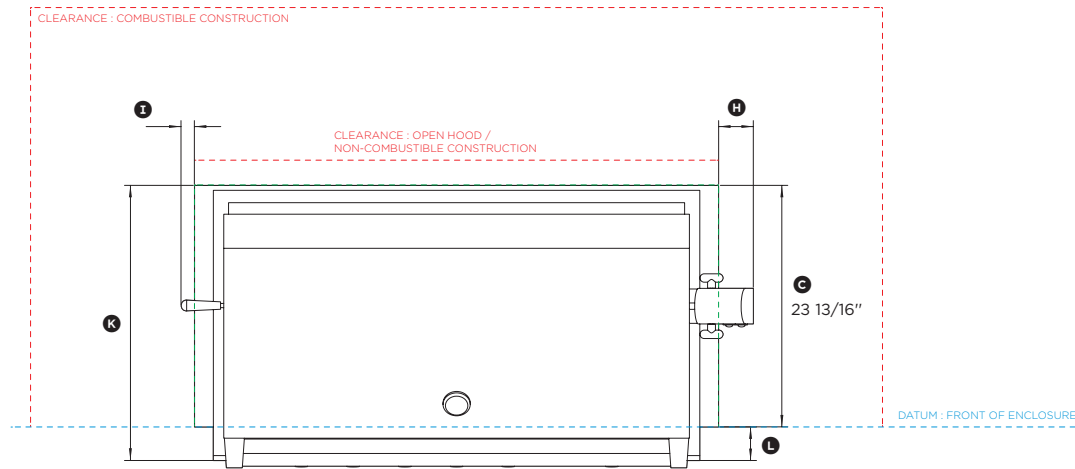
Data sheet

48" Outdoor Grill with Insulation Jacket

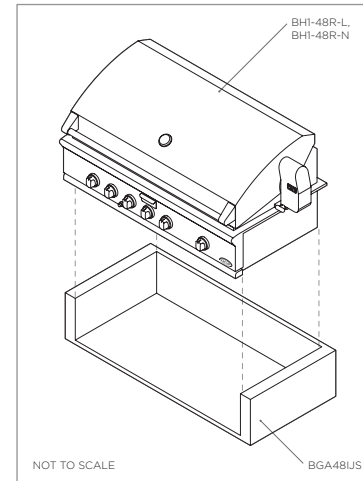
Model no:

BH1-48R-L, BH1-48R-N with BGA48IJS

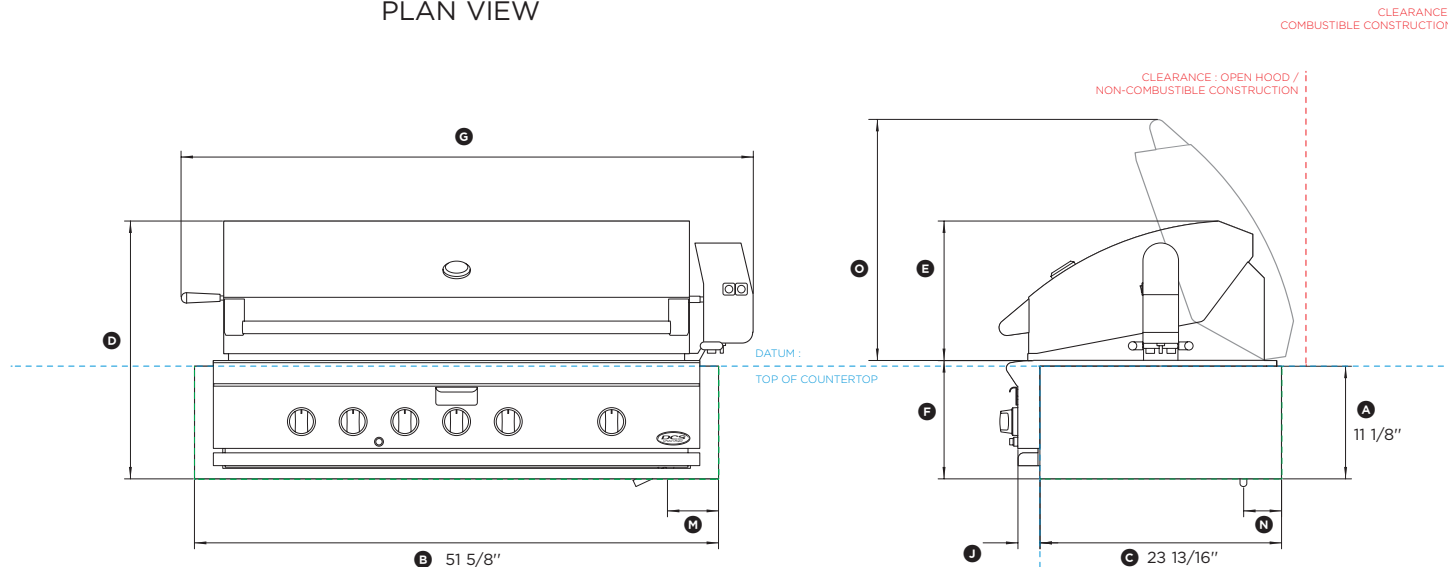
(refer page 2 for metric measurements)



PLAN VIEW



| Dimensions | in |
|--|-----------|
| Ⓐ Height of insulation jacket | 11 1/8" |
| Ⓑ Overall width of insulation jacket | 51 5/8" |
| Ⓒ Depth from front datum to rear of insulation jacket | 23 13/16" |
| Ⓓ Overall height of grill with insulation jacket | 25 3/8" |
| Ⓔ Height from top of hood to top of chassis | 13 3/4" |
| Ⓕ Height from top of chassis to bottom of insulation jacket | 11 5/8" |
| Ⓖ Overall width of grill with insulation jacket | 56 3/8" |
| Ⓗ Width from right side of jacket to right side of motor cover | 3 7/16" |
| Ⓘ Width from left side of jacket to end of skewer handle | 1 5/16" |
| Ⓛ Depth from control panel to front datum | 2 3/16" |
| Ⓚ Overall depth of grill with insulation jacket (excluding handle and dials) | 27 1/16" |
| Ⓛ Depth from front of product to front datum (excluding handle and dials) | 3 3/8" |
| Ⓜ Distance from gas inlet to right side of insulation jacket | 5 1/16" |
| Ⓨ Distance from gas inlet to rear of insulation jacket | 3 3/4" |
| Ⓩ Height from top of open hood to top of chassis | 24 5/8" |



FRONT VIEW

PROFILE VIEW

| Minimum Clearances | in |
|---|---------|
| Overall width of cavity | 51 5/8" |
| Overall depth of cavity | 23 3/4" |
| Overall height of cavity | 11 1/8" |
| Clearance for open hood / non-combustible construction | 3" |
| Clearance to adjacent vertical combustible construction from sides and rear of grill above countertop level | 18" |

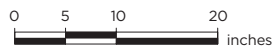
INDICATES CUTOUT -----

INDICATES PRODUCT DATUM -----

INDICATES CLEARANCES -----

DATE: 15.01.2016

IMPORTANT NOTE: Throughout this guide, dimensions may vary by ±2mm (3/32"). Please read the installation manual for detailed information on installing the product. www.dcsappliances.com



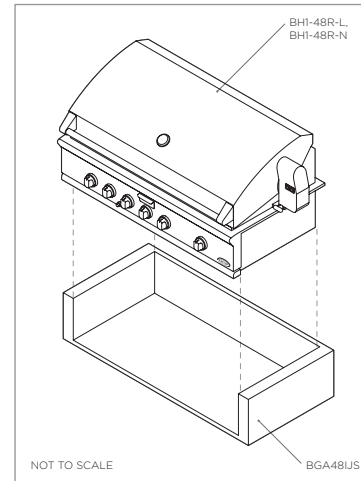
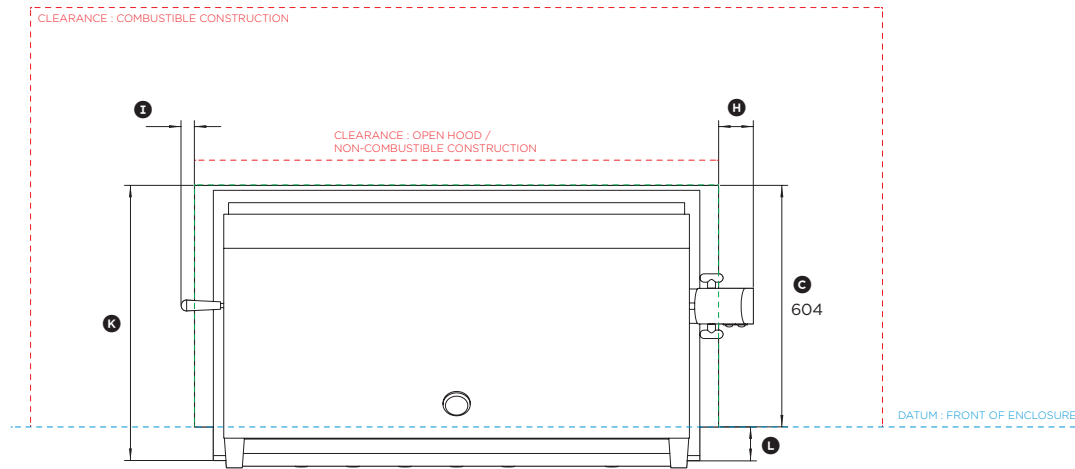
Data sheet

48" Outdoor Grill with Insulation Jacket

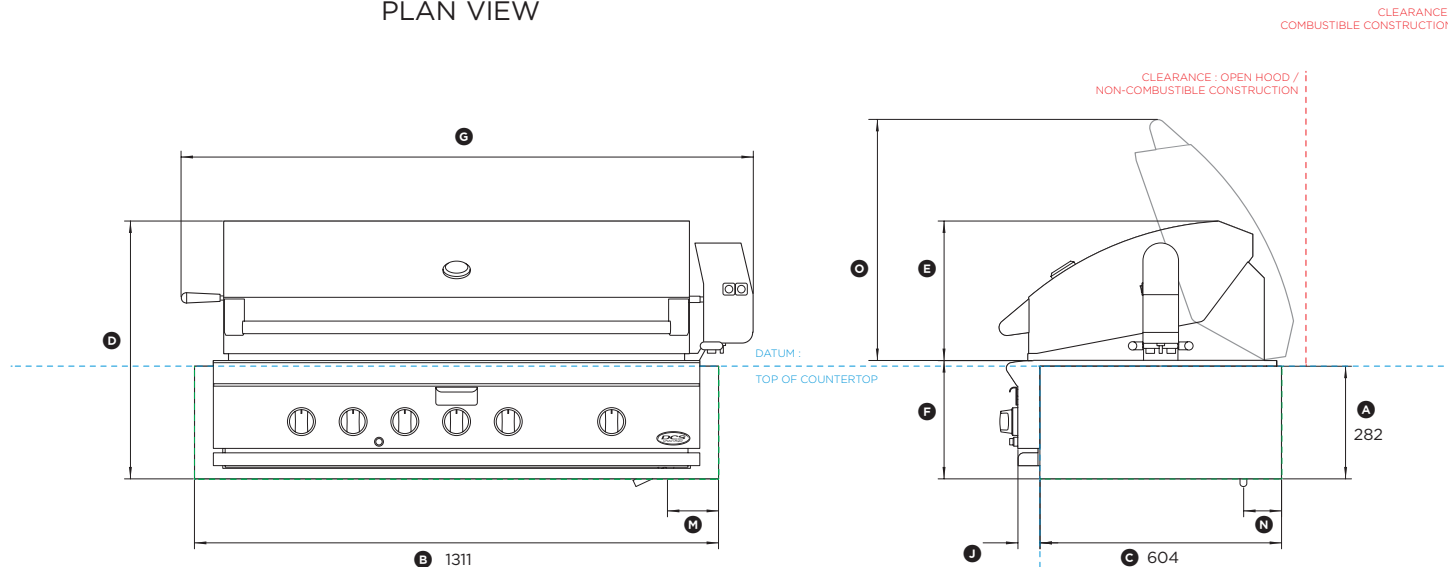
Model no:

BH1-48R-L, BH1-48R-N with BGA48IJS

(refer page 1 for imperial measurements)



PLAN VIEW



FRONT VIEW

PROFILE VIEW

| Dimensions | mm |
|--|------|
| Ⓐ Height of insulation jacket | 282 |
| Ⓑ Overall width of insulation jacket | 1311 |
| Ⓒ Depth from front datum to rear of insulation jacket | 604 |
| Ⓓ Overall height of grill with insulation jacket | 645 |
| Ⓔ Height from top of hood to top of chassis | 349 |
| Ⓕ Height from top of chassis to bottom of insulation jacket | 296 |
| Ⓖ Overall width of grill with insulation jacket | 1432 |
| Ⓗ Width from right side of jacket to right side of motor cover | 92 |
| Ⓘ Width from left side of jacket to end of skewer handle | 34 |
| Ⓛ Depth from control panel to front datum | 55 |
| Ⓚ Overall depth of grill with insulation jacket (excluding handle and dials) | 688 |
| Ⓛ Depth from front of product to front datum (excluding handle and dials) | 85 |
| Ⓜ Distance from gas inlet to right side of insulation jacket | 128 |
| Ⓝ Distance from gas inlet to rear of insulation jacket | 95 |
| Ⓟ Height from top of open hood to top of chassis | 626 |

| Minimum Clearances | mm |
|---|------|
| Overall width of cavity | 1311 |
| Overall depth of cavity | 603 |
| Overall height of cavity | 283 |
| Clearance for open hood / non-combustible construction | 76 |
| Clearance to adjacent vertical combustible construction from sides and rear of grill above countertop level | 457 |

INDICATES CUTOUT -----

INDICATES PRODUCT DATUM -----

INDICATES CLEARANCES -----

DATE: 15.01.2016

IMPORTANT NOTE: Throughout this guide, dimensions may vary by ±2mm (3/32"). Please read the installation manual for detailed information on installing the product. www.dcsappliances.com

