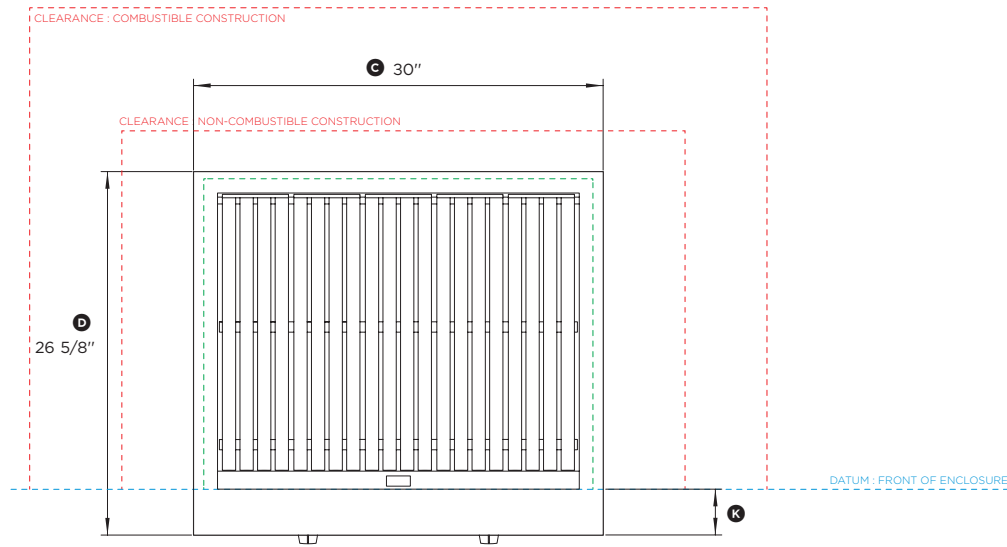


Data sheet

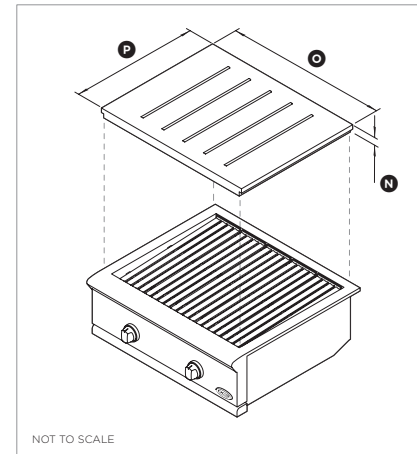
30" Liberty Grill All Grill

Model no:

BFGC30G (refer page 2 for metric measurement)

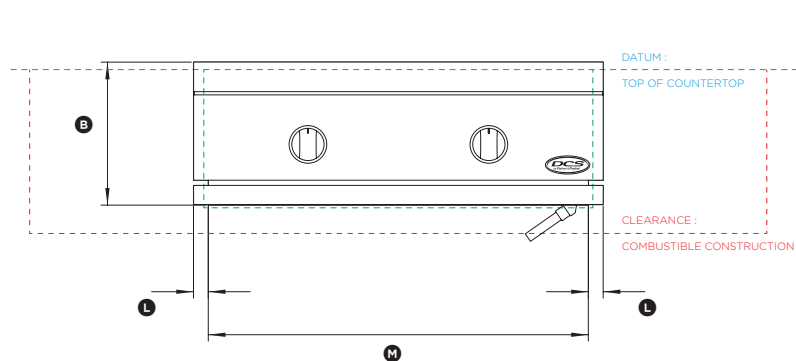


PLAN VIEW

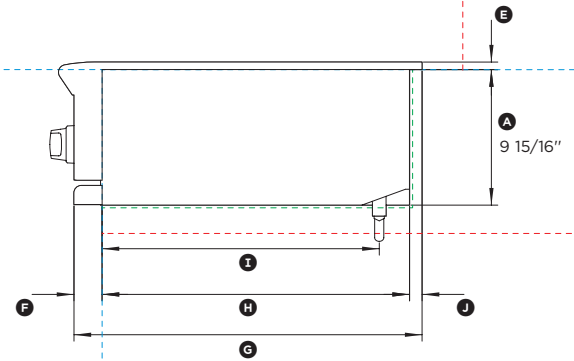


Dimensions

| | in |
|--|-----------|
| Ⓐ Height below countertop datum to bottom of chassis | 9 15/16" |
| Ⓑ Overall height of grill | 10 1/2" |
| Ⓒ Overall width of grill | 30" |
| Ⓓ Overall depth of grill (excluding knobs) | 26 5/8" |
| Ⓔ Height of grill surface above countertop | 9/16" |
| Ⓕ Depth of control panel to front datum | 2 1/16" |
| Ⓖ Depth from control panel to rear of product | 25 1/2" |
| Ⓗ Depth from front datum to rear of chassis below countertop | 22 1/2" |
| Ⓘ Distance from front datum to gas inlet | 20 5/16" |
| Ⓛ Depth of rear flange | 15/16" |
| Ⓚ Depth from chassis bullnose to front datum | 3 3/8" |
| Ⓛ Width of side flanges | 1 1/16" |
| Ⓜ Width of chassis inside enclosure | 27 13/16" |
| Ⓝ Height of lid | 1 3/4" |
| Ⓞ Width of lid | 29" |
| Ⓟ Depth of lid | 23" |



FRONT VIEW



PROFILE VIEW

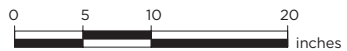
Minimum Clearances

| | in |
|---|-----------|
| Overall width of cavity | 28 1/2" |
| Overall depth of cavity | 22 3/4" |
| Overall height of cavity | 10 1/8" |
| Clearance from grill chassis to combustible construction | 12" |
| Clearance below countertop to combustible construction | 12" |
| Clearance to vertical non-combustible surface above countertop at rear | 3" |
| Clearance to vertical non-combustible surface above countertop at sides | 6" |

INDICATES CUTOUT
 INDICATES PRODUCT / CABINETY DATUM
 INDICATES CLEARANCES

DATE: 09.11.2015

IMPORTANT NOTE: Throughout this guide, dimensions may vary by ±2mm (3/32"). Please read the installation manual for detailed information on installing the product. www.dcsappliances.com

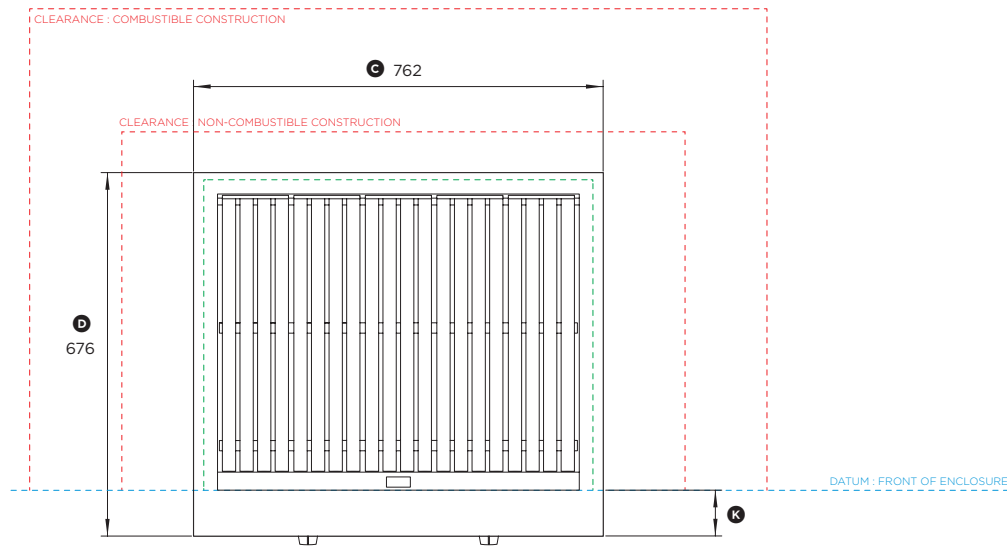


Data sheet

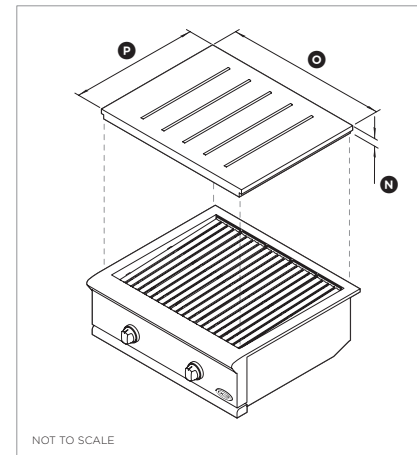
30" Liberty Grill All Grill

Model no:

BFGC30G (refer page 1 for imperial measurements)

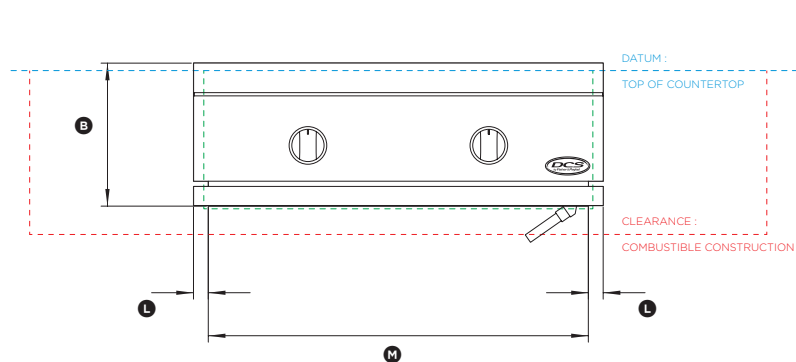


PLAN VIEW

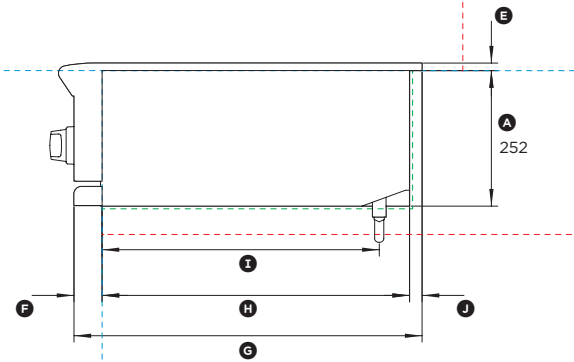


Dimensions

| | mm |
|--|------|
| Ⓐ Height below countertop datum to bottom of chassis | 252 |
| Ⓑ Overall height of grill | 266 |
| Ⓒ Overall width of grill | 762 |
| Ⓓ Overall depth of grill (excluding knobs) | 676 |
| Ⓔ Height of grill surface above countertop | 14 |
| Ⓕ Depth of control panel to front datum | 52 |
| Ⓖ Depth from control panel to rear of product | 648 |
| Ⓗ Depth from front datum to rear of chassis below countertop | 572 |
| Ⓘ Distance from front datum to gas inlet | 516 |
| Ⓛ Depth of rear flange | 23 |
| Ⓚ Depth from chassis bullnose to front datum | 101 |
| Ⓛ Width of side flanges | 27.5 |
| Ⓜ Width of chassis inside enclosure | 707 |
| Ⓝ Height of lid | 45 |
| Ⓞ Width of lid | 737 |
| Ⓟ Depth of lid | 585 |



FRONT VIEW



PROFILE VIEW

Minimum Clearances

| | mm |
|---|-----|
| Overall width of cavity | 724 |
| Overall depth of cavity | 578 |
| Overall height of cavity | 257 |
| Clearance from grill chassis to combustible construction | 305 |
| Clearance below countertop to combustible construction | 305 |
| Clearance to vertical non-combustible surface above countertop at rear | 77 |
| Clearance to vertical non-combustible surface above countertop at sides | 153 |

INDICATES CUTOUT
 INDICATES PRODUCT / CABINERY DATUM
 INDICATES CLEARANCES

DATE: 09.11.2015

IMPORTANT NOTE: Throughout this guide, dimensions may vary by ±2mm (3/32"). Please read the installation manual for detailed information on installing the product. www.dcsappliances.com

