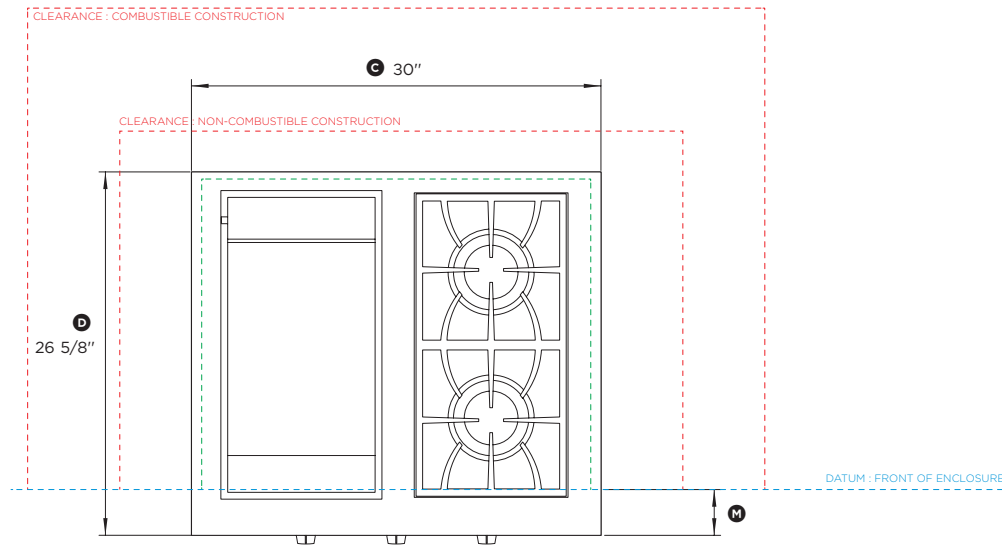


Data sheet

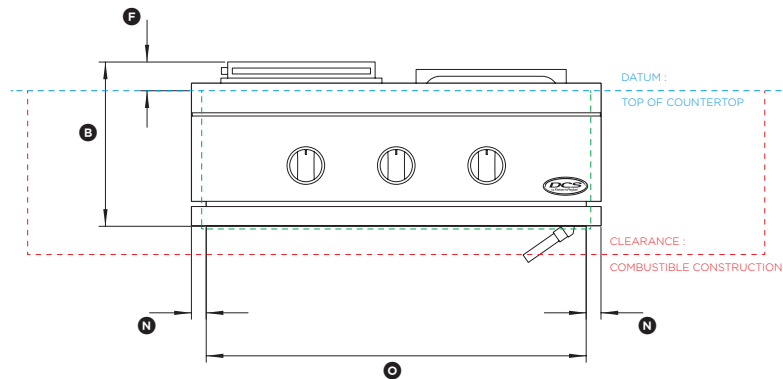
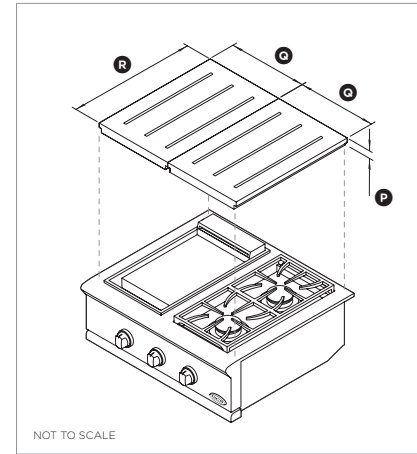
30" Liberty Grill with Griddle/SideBurner

Model no:

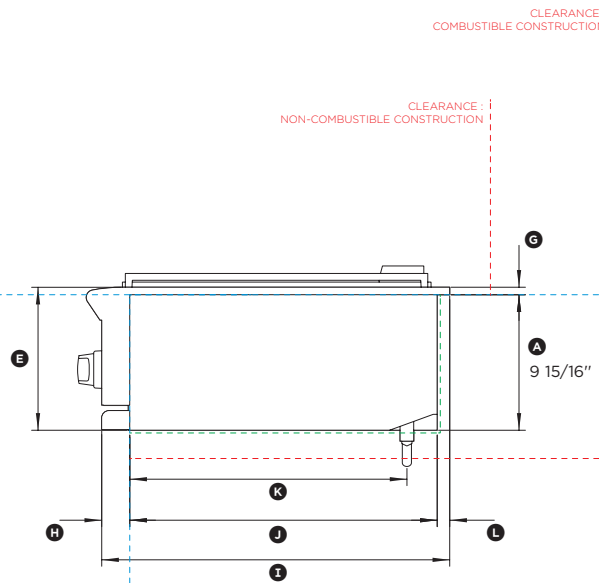
BFGC30BGD (refer page 2 for metric measurements)



PLAN VIEW



FRONT VIEW



PROFILE VIEW

Dimensions	in
Ⓐ Height below countertop datum to bottom of chassis	9 15/16"
Ⓑ Overall height of grill (including griddle)	12 1/4"
Ⓒ Overall width of grill	30"
Ⓓ Overall depth of grill (excluding knobs)	26 5/8"
Ⓔ Height of grill surface	10 1/2"
Ⓕ Height above countertop	2 5/16"
Ⓖ Height of grill surface above countertop	9/16"
Ⓗ Depth of control panel to front datum	2 1/16"
Ⓘ Depth from control panel to rear of product	25 1/2"
Ⓚ Depth from front datum to rear of chassis below countertop	22 1/2"
Ⓛ Distance from front datum to gas inlet	20 5/16"
Ⓜ Depth of rear flange	15/16"
Ⓝ Depth from chassis bullnose to front datum	3 3/8"
Ⓞ Width of side flanges	1 1/16"
Ⓟ Width of chassis inside enclosure	27 13/16"
Ⓠ Height of lid	1 3/4"
Ⓡ Width of (individual) lid	14 3/16"
Ⓢ Depth of lid	23"

Minimum Clearances	in
Overall width of cavity	28 1/2"
Overall depth of cavity	22 3/4"
Overall height of cavity	10 1/8"
Clearance from grill chassis to combustible construction	12"
Clearance below countertop to combustible construction	12"
Clearance to vertical non-combustible surface above countertop at rear	3"
Clearance to vertical non-combustible surface above countertop at sides	6"

INDICATES CUTOUT
 INDICATES PRODUCT / CABINETY DATUM
 INDICATES CLEARANCES

DATE: 09.11.2015

IMPORTANT NOTE: Throughout this guide, dimensions may vary by ±2mm (3/32"). Please read the installation manual for detailed information on installing the product. www.dcsappliances.com

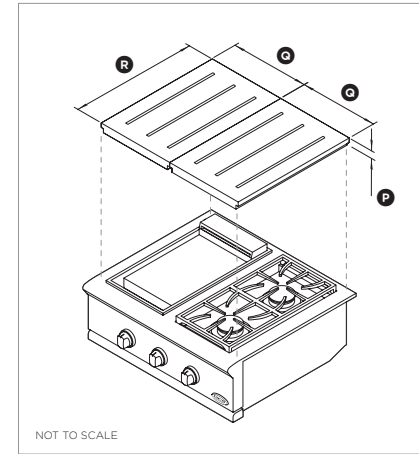
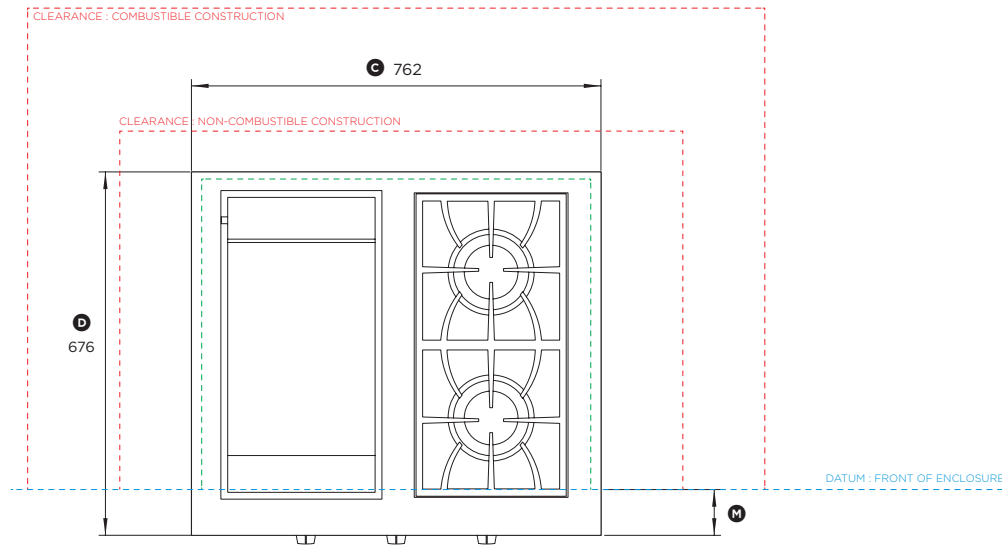


Data sheet

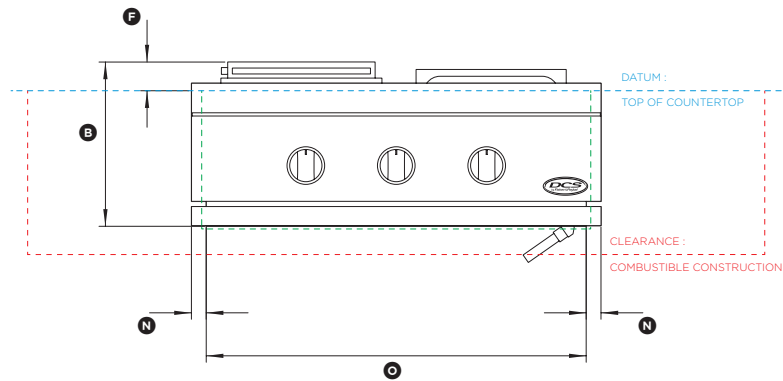
30" Liberty Grill with Griddle/SideBurner

Model no:

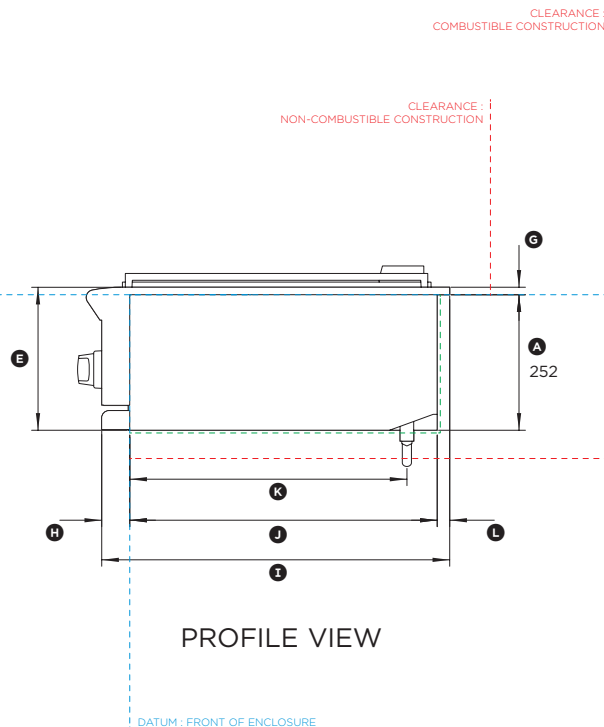
BFGC30BGD (refer page 1 for imperial measurements)



PLAN VIEW



FRONT VIEW



PROFILE VIEW

Dimensions	mm
Ⓐ Height below countertop datum to bottom of chassis	252
Ⓑ Overall height of grill (including griddle)	311
Ⓒ Overall width of grill	762
Ⓓ Overall depth of grill (excluding knobs)	676
Ⓔ Height of grill surface	266
Ⓕ Height above countertop	59
Ⓖ Height of grill surface above countertop	14
Ⓗ Depth of control panel to front datum	52
Ⓘ Depth from control panel to rear of product	648
Ⓛ Depth from front datum to rear of chassis below countertop	572
Ⓜ Distance from front datum to gas inlet	516
Ⓝ Depth of rear flange	23
Ⓟ Depth from chassis bullnose to front datum	85
Ⓠ Width of side flanges	27.5
Ⓡ Width of chassis inside enclosure	707
Ⓢ Height of lid	45
Ⓣ Width of (individual) lid	361
Ⓤ Depth of lid	585

Minimum Clearances	mm
Overall width of cavity	724
Overall depth of cavity	578
Overall height of cavity	257
Clearance from grill chassis to combustible construction	305
Clearance below countertop to combustible construction	305
Clearance to vertical non-combustible surface above countertop at rear	77
Clearance to vertical non-combustible surface above countertop at sides	153

INDICATES CUTOUT -----

INDICATES PRODUCT / CABINETY DATUM -----

INDICATES CLEARANCES -----

DATE: 09.11.2015

IMPORTANT NOTE: Throughout this guide, dimensions may vary by ±2mm (3/32"). Please read the installation manual for detailed information on installing the product. www.dcsappliances.com

