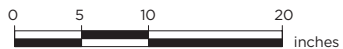
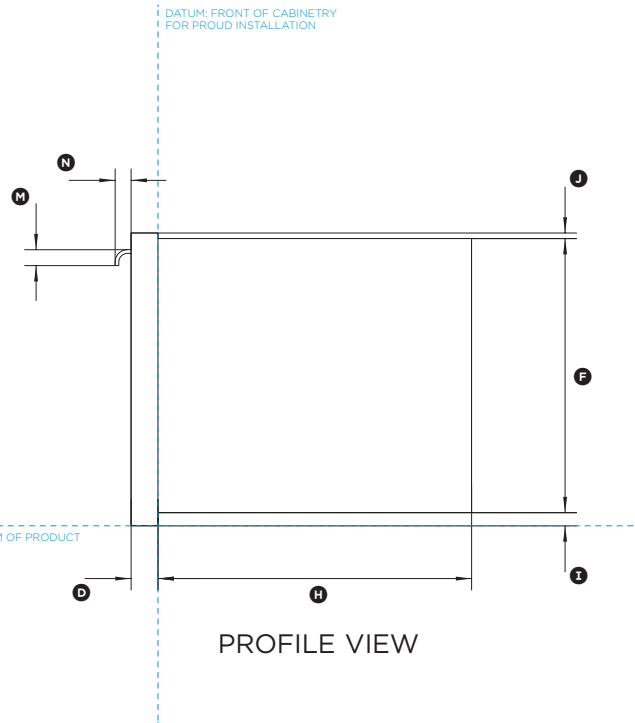
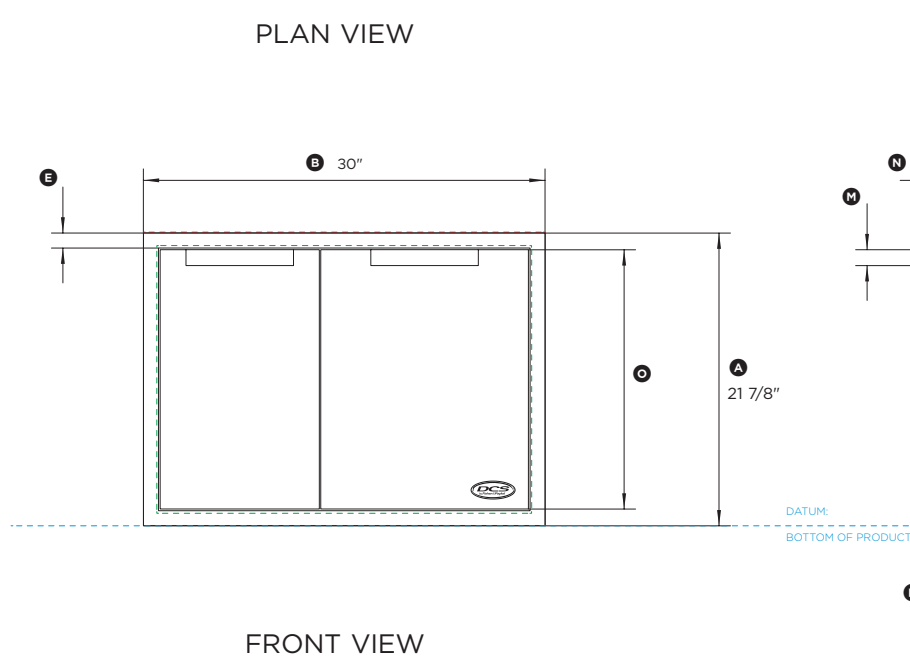
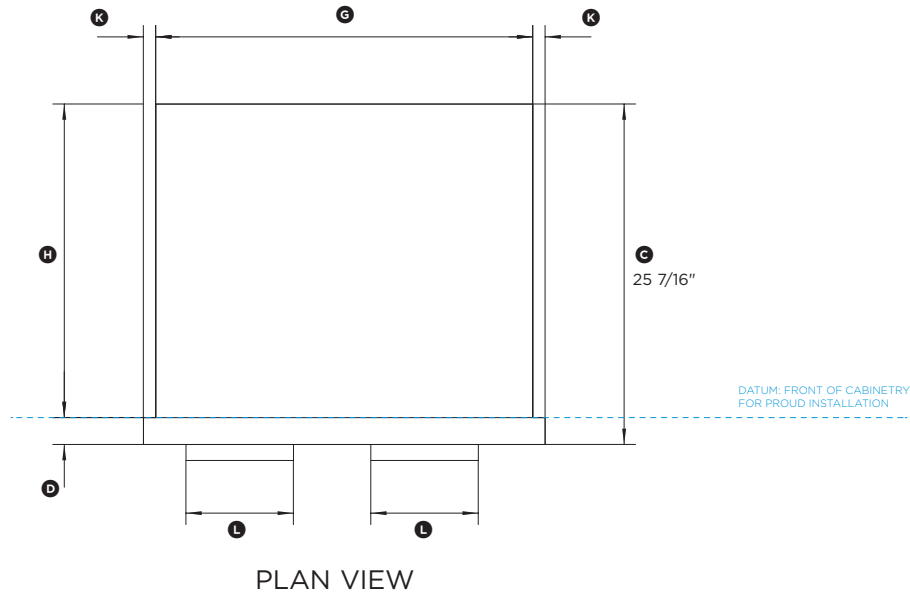


Data sheet

30" Access Drawer



Model no:

**ADR30**

(refer page 2 for metric measurements)

Product Dimensions	in
Ⓐ Overall height of product	21 7/8"
Ⓑ Overall width of product	30"
Ⓒ Overall depth of product (excluding handles)	25 7/16"
Ⓓ Depth of front frame	2"
Ⓔ Width of front frame	1 1/8"
Ⓕ Height of chassis	19 15/16"
Ⓖ Width of chassis	28"
Ⓖ Depth of chassis	23 7/16"
Ⓗ Height of bottom flange	1"
Ⓗ Height of top flange	7/16"
Ⓘ Width of side flanges	15/16"
Ⓚ Width of handles	8"
Ⓚ Height of handles	1 3/16"
Ⓚ Depth of handles	1 3/16"
Ⓚ Height of drawer fronts	19 3/8"

Cutout Dimensions	in
Overall width of cutout	28"
Overall height of cutout	20"

IMPORTANT NOTE: This datasheet shows only the proud installation option. For full installation and clearance details please refer to our installation manual.

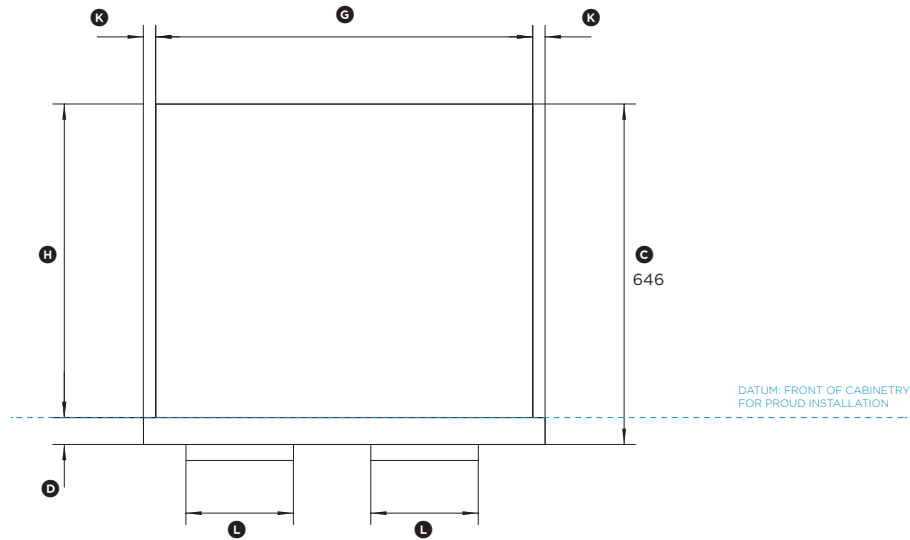
INDICATES CABINETRY / PRODUCT DATUM -----  
 INDICATES CUTOUT -----

DATE: 31.08.2015

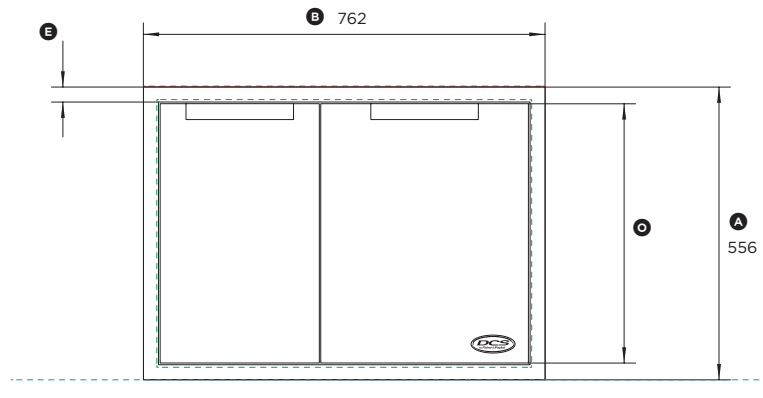
IMPORTANT NOTE: Throughout this guide, dimensions may vary by ±2mm (3/32"). Please read the installation manual for detailed information on installing the product. [www.dcsappliances.com](http://www.dcsappliances.com)



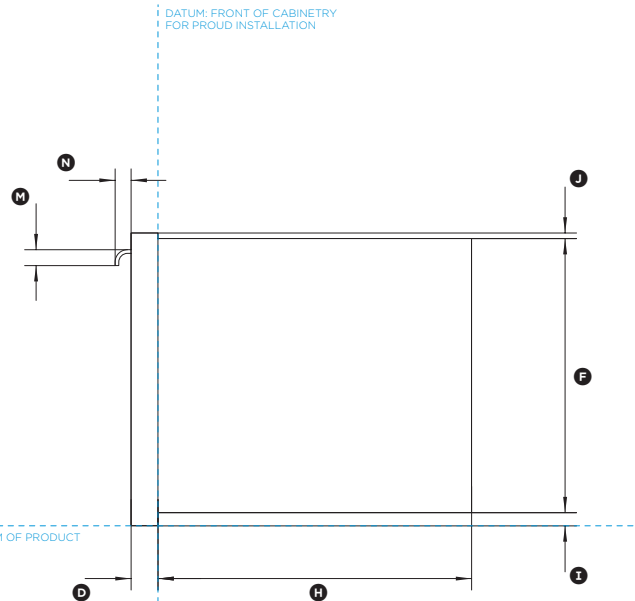
Data sheet



PLAN VIEW



FRONT VIEW



PROFILE VIEW



30" Access Drawer

Model no:

**ADR30**

(refer page 1 for imperial measurements)

Product Dimensions	mm
Ⓐ Overall height of product	556
Ⓑ Overall width of product	762
Ⓒ Overall depth of product (excluding handles)	646
Ⓓ Depth of front frame	51
Ⓔ Width of front frame	28
Ⓕ Height of chassis	507
Ⓖ Width of chassis	711
Ⓖ Depth of chassis	595
Ⓙ Height of bottom flange	25
Ⓚ Height of top flange	11
Ⓛ Width of side flanges	23
Ⓜ Width of handles	204
Ⓝ Height of handles	30
Ⓞ Depth of handles	30
Ⓟ Height of drawer fronts	492

Cutout Dimensions	mm
Overall width of cutout	711
Overall height of cutout	508

IMPORTANT NOTE: This datasheet shows only the proud installation option. For full installation and clearance details please refer to our installation manual.

INDICATES CABINETRY / PRODUCT DATUM -----  
INDICATES CUTOUT -----

DATE: 31.08.2015

IMPORTANT NOTE: Throughout this guide, dimensions may vary by ±2mm (3/32"). Please read the installation manual for detailed information on installing the product. [www.dcsappliances.com](http://www.dcsappliances.com)

