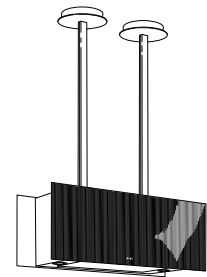


SECRET IC35I90B & IC35I90W RANGE HOODS



Range hoods needn't come with expectations. Why can't metal be glass? Choose black or white glass to meet your vision. It abandons the flue in duct-free applications. SECRET is unlike any range hood but it may meet your unique expectations.

FEATURES

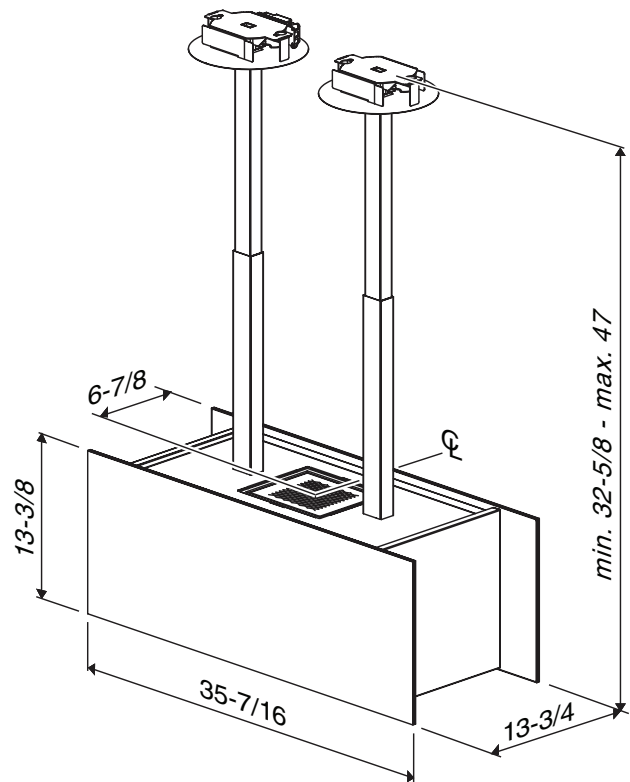
- Italian design
- Ceiling mount
- Finishes: black glass or white glass panels
- Width: 90 cm (35-7/16")
- Ducted & non-ducted
- 6" round duct connector/backdraft damper
- Telescopic rods accommodate 8' to 9' ceilings (Purchase duct flue kit separately.)
- 2-level halogen lighting (2 bulbs included. Type T4, G9 base, 120 volt, 25 watts max.)
- 4-speed push-button control with lighted speed indicator
- Quiet, variable-speed centrifugal blower with high-efficiency motor produces 490 CFM of exhaust
- Heat Sentry™ - automatically turns blower to high speed when excess cooking heat is detected
- Dishwasher-safe filter features a quick-release latch
- Delay timer control automatically shuts off range hood after 10 minutes
- Filter clean reminder
- For indoor use only

OPTIONS

- Ducted flue kit (Model AEIC35SB)
- Replacement charcoal filters available (Model FILTEREB40)

SPECIFICATIONS

VOLTS	HZ	AMPS	CFM		SONES		DUCT
			MAX.	NORM.	MAX.	NORM.	
120	60	3.12	490	220	7.0	2.5	6" Round



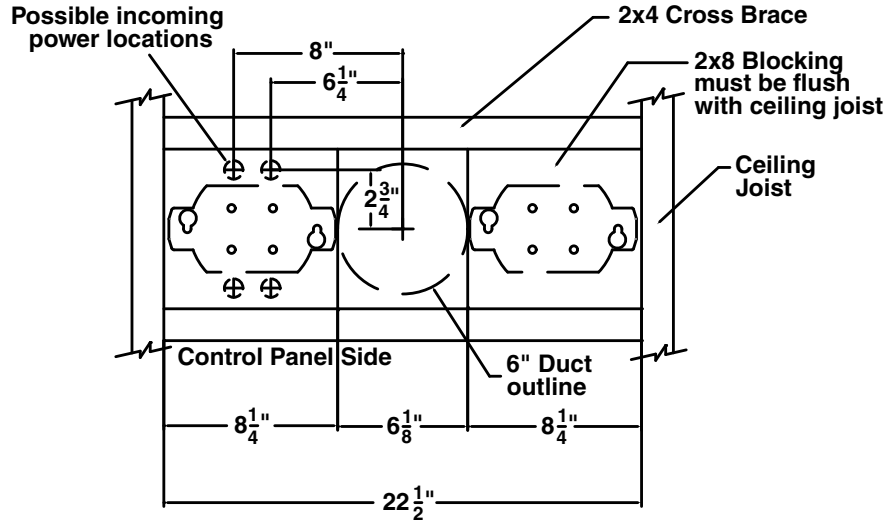
HVI-2100 CERTIFIED RATINGS comply with new testing technologies and procedures prescribed by the Home Ventilating Institute, for off-the-shelf products, as they are available to consumers. Product performance is rated at 0.1 in. static pressure, based on tests conducted in a state-of-the-art test laboratory. Sones are a measure of humanly-perceived loudness, based on laboratory measurements.

BEST Hartford, Wisconsin www.BestRangeHoods.com 800-558-1711
 BEST Drummondville, QC, Canada www.BestRangeHoods.com 866-737-7770

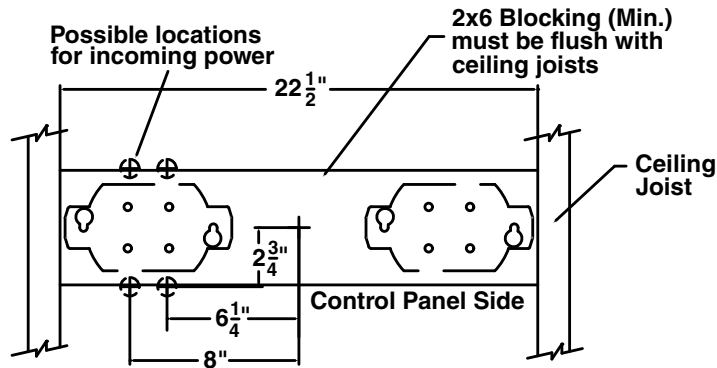
REFERENCE	QTY.	REMARKS	Project	
			Location	
			Architect	
			Engineer	
			Contractor	
			Submitted by	Date

IC35I90B & IC35I90W MOUNTING

DUCTED CEILING MOUNTING



NON-DUCTED CEILING MOUNTING



CEILING HEIGHT	DUCT METHOD	HOOD DISTANCE ABOVE 36" HIGH COOK TOP (see note below)						
		24"	25"	26"	27"	28"	29"	30"
		HEIGHT OF ASSEMBLED TELESCOPIC ARM ASSEMBLY						
8 FEET	DUCTED OR NON-DUCTED	23.5"		21.5"				
9 FEET	DUCTED OR NON-DUCTED		34.5"	33.5"		31.5"		29.5"

Note : Minimum hood distance above cook top must not be less than 24".
 A maximum of 30" above cook top is highly recommended for best capture of cooking impurities.
 Distances over 30" are at the installer and user's discretion; and if ceiling height and flue length permit.