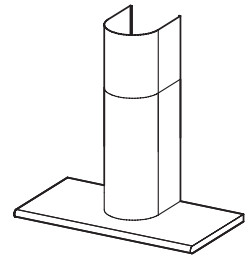


KEX8087 SERIES RANGE HOODS



With flowing lines that appear to be sculpted from a single block of stainless steel, this strong but graceful hood creates a striking focal point in any kitchen.

FEATURES

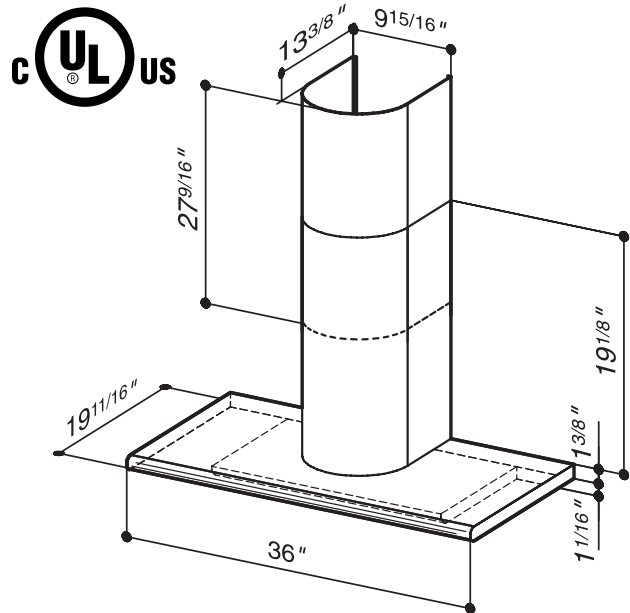
- Italian design
- Wall mount
- Finish: 304 Stainless Steel #4 Brushed
- Width: 36"
- Telescopic flue accommodates 8' to 9' ceilings
- 8" round duct connector/backdraft damper
- Halogen lighting (2 x 20 watt, Type JC 12V 20W G4 Base - bulbs included) with multilevels from bright cooktop illumination to a low nighttime setting
- Advanced, electronic push-button controls feature delay shutoff
- Exterior mounted blower available in either 600, 900, 1200, or 1500 cfm
- Delay timer control automatically shuts off range hood after ten minutes
- Special control indicates when it's time to clean the filter
- Dishwasher-safe filter features a quick-release latch and decorative cover plate
- Heat Sentry™ - automatically turns blower to high speed when excess cooking heat is detected

OPTIONS

- Replacement grease filters available (Part No. SB08087169)
- Flue extension for 10' ceiling (39-3/8" length) (Model FEXTK8087SS)
- Interior blower (K8087 Series) available, providing 450 cfm exhaust
- 8" to 10" transition (Model 414)

SPECIFICATIONS

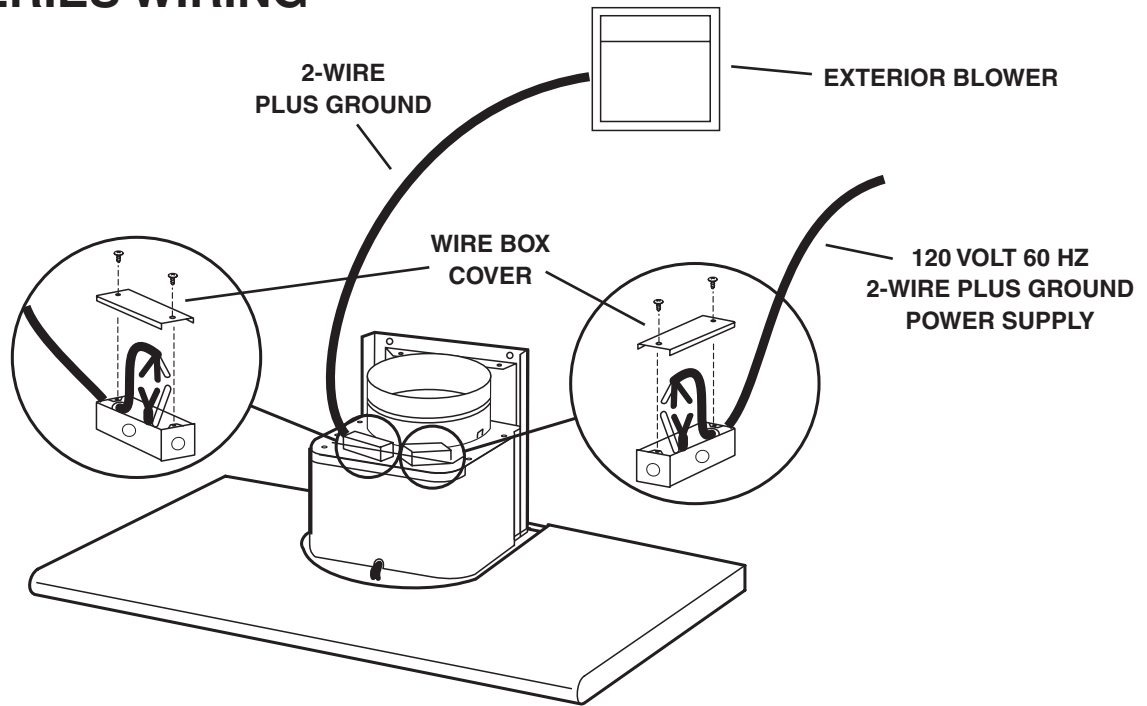
WITH OPTIONAL BLOWER MODELS	BLOWER CFM	VOLTS	AMPS	DUCT
EB6	600 max.	120	0.43 (lights only) + 6.0 max. (blower only)	8-in. round at the hood. See blower specs for duct requirements.
EB9	900 max.			
EB12	1200 max.			
EB15	1500 max.			
ILB3	280 max.			
ILB6	600 max.			
ILB9	800 max.			
ILB11	1100 max.			



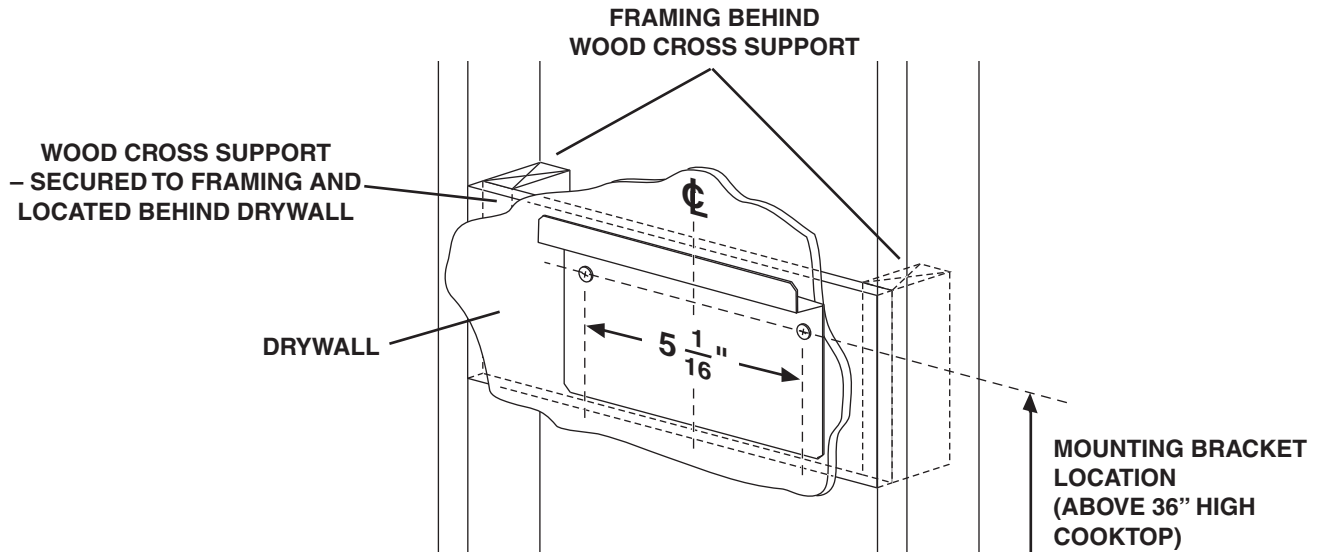
Best P.O. Box 140 Hartford, Wisconsin www.BestRangeHoods.com 800-558-1711

REFERENCE	QTY.	REMARKS	Project
			Location
			Architect
			Engineer
			Contractor
			Submitted by
			Date

KEX8087 SERIES WIRING



KEX8087 SERIES MOUNTING



CEILING HEIGHT	MOUNTING DISTANCE ABOVE 36" HIGH COOKTOP (SEE NOTE BELOW)						
	24"	25"	26"	27"	28"	29"	30"
8 FEET	36-3/4"	37-3/4"	38-3/4"	39-3/4"	40-3/4"	41-3/4"	
9 FEET		37-3/4"	38-3/4"	39-3/4"	40-3/4"	41-3/4"	42-3/4"
10 FEET WITH FEXTK8087	36-3/4"	37-3/4"	38-3/4"	39-3/4"	40-3/4"	41-3/4"	42-3/4"

NOTE: Minimum hood distance above cooktop must not be less than 24".
 A maximum of 30" above the cooktop is highly recommended for best capture of cooking impurities.
 Distances over 30" above the cooktop are at the installer's and user's discretion - providing that ceiling height and flue length permit.

