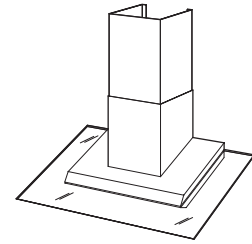


# WC26E SERIES RANGE HOODS



For use with external blowers.

**Aggressive, wedge-like design - directs heat and moisture to the blower for exceptional capture.**

### FEATURES

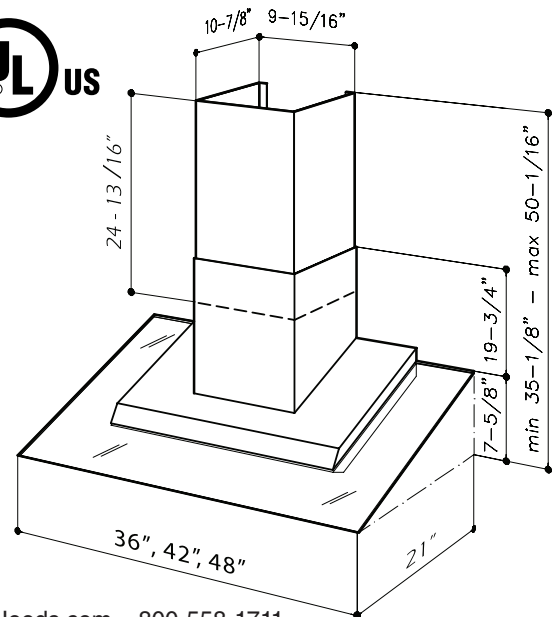
- Italian design
- Wall mount
- Finish: 304 Stainless Steel #4 Brushed
- Widths: 36", 42", 48"
- Telescopic flue accommodates 8' to 9' ceilings
- 8-in. round duct connector/backdraft damper
- Halogen lighting (2 x 20 watt, Type JC 12V 20W G4 Base - bulbs included) with multilevels from bright cooktop illumination to a low nighttime setting
- Advanced, electronic push-button controls feature delay shutoff
- Use with exterior-mounted or attic-installed remote blowers for different levels of exhaust capacity (see specifications)
- Delay timer control automatically shuts off range hood after ten minutes
- Special control indicates when it's time to clean the filter
- Dishwasher-safe filter features a quick-release latch and decorative cover plate
- Heat Sentry™ - automatically turns blower to high speed when excess cooking heat is detected
- Light sensor automatically activates glass light
- For indoor use only

### OPTIONS

- Replacement grease filters available (Part No. SB08087295)
- Flue extensions for 10' ceilings (Model AEWC26 series) available in stainless steel (36-7/8" long)
- Interior blower version (WC26I Series) available, providing 480 cfm exhaust
- 8-in. to 10-in. transition (Model 414)

### SPECIFICATIONS

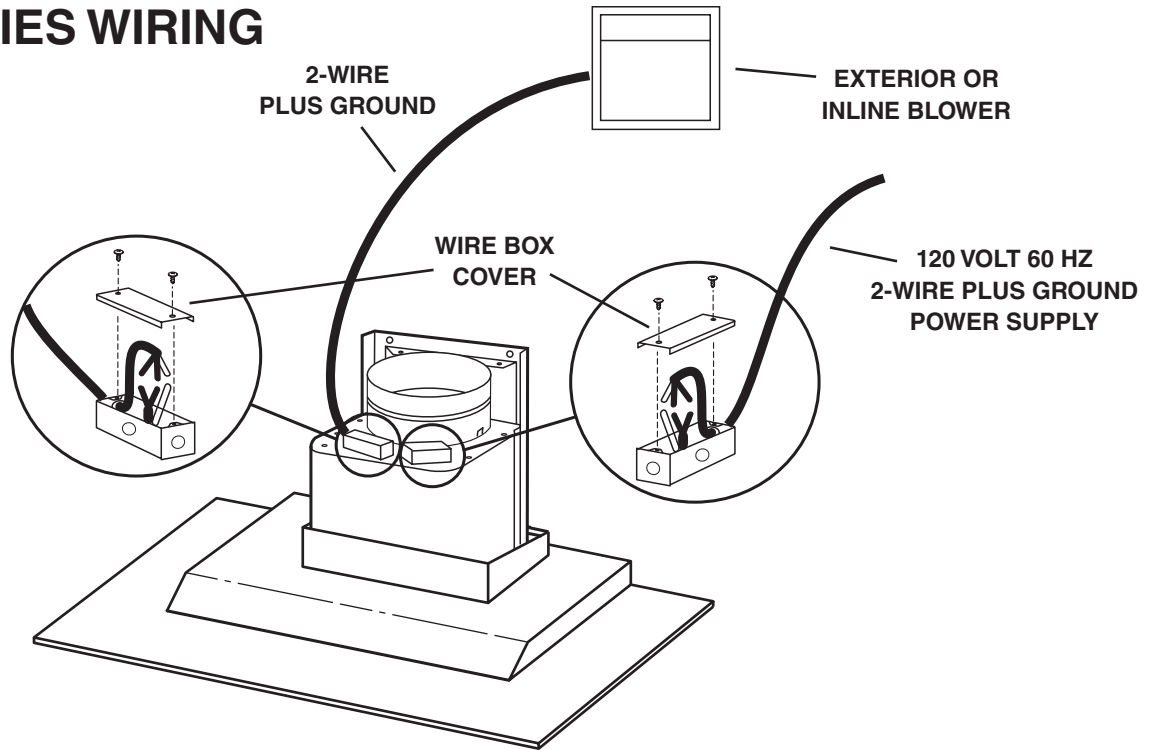
| WITH OPTIONAL BLOWER MODELS | BLOWER CFM | VOLTS | AMPS  | DUCT  |
|-----------------------------|------------|-------|---|---|
| EB6                         | 600 max.   | 120   | 0.43 (lights only) + 6.0 max. (blower only) | 8-in. round at the hood.<br><br>See blower specs for duct requirements. |
| EB9                         | 900 max.   |       |   |   |
| EB12                        | 1200 max.  |       |   |   |
| EB15                        | 1500 max.  |       |   |   |
| ILB3                        | 280 max.   | 120   | 0.43 (lights only) + 6.0 max. (blower only) | 8-in. round at the hood.<br><br>See blower specs for duct requirements. |
| ILB6                        | 600 max.   |       |   |   |
| ILB9                        | 800 max.   |       |   |   |
| ILB11                       | 1100 max.  |       |   |   |



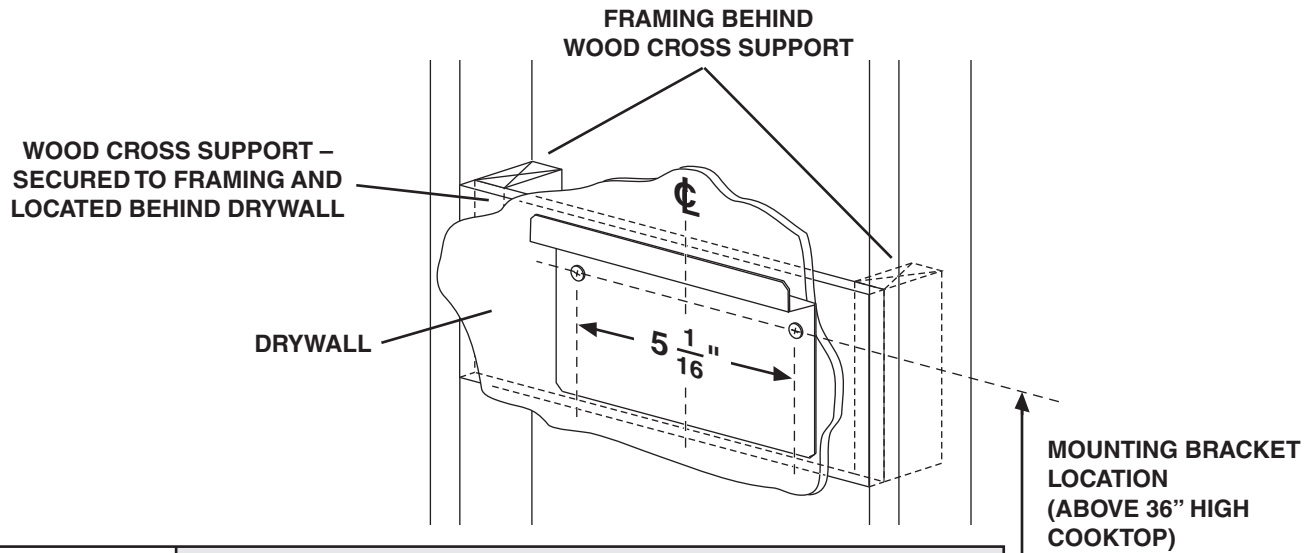
BEST Hartford, Wisconsin [www.BestRangeHoods.com](http://www.BestRangeHoods.com) 800-558-1711  
 BEST Drummondville, QC Canada [www.BestRangeHoods.com](http://www.BestRangeHoods.com) 866-737-7770

| REFERENCE | QTY. | REMARKS | Project  |
|-----------|------|---------|--|
|           |      |         | Location   |
|           |      |         | Architect  |
|           |      |         | Engineer   |
|           |      |         | Contractor   |
|           |      |         | Submitted by <span style="float: right;">Date</span> |

# WC26E SERIES WIRING



# WC26E SERIES MOUNTING



| CEILING HEIGHT       | MOUNTING DISTANCE ABOVE 36" HIGH COOKTOP (see note A) |         |         |         |         |         |         |  |
|----------------------|---|---------|---------|---------|---------|---------|---------|--|
|                      | 22"   | 23"     | 24"     | 25"     | 26"     | 27"     | 28"     |  |
|                      | MOUNTING BRACKET LOCATION ABOVE 36" HIGH COOK TOP     |         |         |         |         |         |         |  |
| 8 FEET               | 41-1/4"   | 42-1/4" | 43-1/4" | 44-1/4" |         |         |         |  |
| 9 FEET               | 41-1/4"   | 42-1/4" | 43-1/4" | 44-1/4" | 45-1/4" | 46-1/4" | 47-1/4" |  |
| 10 FEET (see note B) | 41-1/4"   | 42-1/4" | 43-1/4" | 44-1/4" | 45-1/4" | 46-1/4" | 47-1/4" |  |

A. Minimum hood distance above cooktop must not be less than 22". A maximum of 28" above the cooktop is highly recommended for best capture of cooking impurities. Distances over 28" above the cooktop are at the installer's and user's discretion - providing that ceiling height and flue length permit.

B. Requires optional 10-ft. flue extension - ducted Model AEWC26SB.