

# DWHD771WFM

## GLASS CARE CENTER 7 PROGRAM DISHWASHER

MASTERPIECE® SERIES HANDLE



Also Available In:

DWHD771WFP – Flat Stainless Steel Panel with Professional Series Handle

DWHD771WPR – Custom Panel

### FEATURES & BENEFITS

- ★ - Revolutionary lower rack designed specifically to accommodate all of your glassware. With a tine-less configuration to maximize capacity for wine glasses, cocktail glasses and more, it offers peace of mind while you wash even the most delicate items
- ★ - Peace of mind with our no-slip, soft rubber racks holding your most delicate glassware during the wash and dry cycle
- ★ - Star Speed® is a full wash cycle in just 20 minutes—industry's fastest hot water wash
  - Push to Open dishwasher opens with either a push or pull, so loading is easier, even when your hands are full
- ★ - Large Glassware Capacity allows you to wash up to twenty-six 12 oz wine glasses—or even more smaller ones—at once, while customizable enough to handle all types of glassware
- ★ - Mixed Use Top Rack – Wash all of your other dishware while providing an all new cutlery caddy to clean your entertaining tools
  - Thermador Connected Experience by Home Connect brings exclusive dish features that keep you connected. Always.

### ACCESSORIES (OPTIONAL)

Dishwasher Supply and Drainage Hose Extension 76 3/4"	SGZ1010
Dishwasher Accessory Kit	SMZ5000
Fine Silverware Carafe	SMZ5002UC



Accessory Kit includes Extra-Tall-Item Sprinkler, Vase / Bottle Holder, 3 Plastic Item Clips and Small Item Basket

Fine Silverware Carafe

### GENERAL PROPERTIES

Number Of Wash Cycles	7
Number Of Options	7
dBA	44
Third Rack	N/A
Rack Adjustability	Rackmatic 3-Stage
Tub Material	Stainless Steel
Control Type	Premium Touch Control
Concealed Heating Element	Yes
Leak Protection System	24/7 AquaStop®
Water Softener	Yes
Five-Level Wash	Yes
Childlock	No
Home Connect (Wi-Fi Enabled)	Yes

### EFFICIENCY

Water Usage Per Cycle (g)	3.5 g
Energy Efficiency Class	Tier 1
ENERGY STAR® Qualified	Yes
Total Annual Energy Consumption (kWh)	269 kWh
Total Annual Water Consumption (g)	623.5 g

### CAPACITY

Number Of Place Settings	8
--------------------------	---

### TECHNICAL DETAILS

Watts (W)	1440 W
Current (A)	12 A
Volts (V)	120 V
Frequency (Hz)	60 Hz
Power Cord Length (in)	47 1/4"
Minimum Water Pressure (lb/sin)	14
Max. Temperature for Water Intake	140° F
Length Inlet Hose (in)	N/A
Length Outlet Hose (in)	79"

### DIMENSIONS & WEIGHT

Overall Appliance Dimensions (HxWxD) (in)	33 7/8" x 23 9/16" x 23 3/4"
Required Cutout Size (HxWxD) (in)	33 7/8" Min. x 23 5/8" Min. x 24"
Adjustable Feet	Yes
Net Weight (lbs)	95 lbs

# DWHD771WFM

## GLASS CARE CENTER 7 PROGRAM DISHWASHER

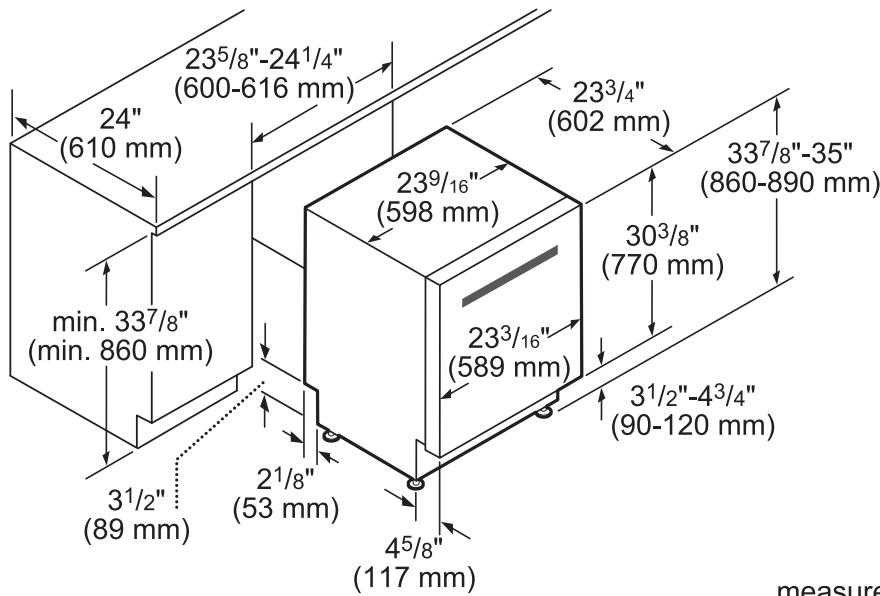
MASTERPIECE® SERIES HANDLE



### WARRANTY

Limited Warranty, Entire Appliance, Parts and Labor	2 Year
Limited Warranty for Microprocessor or Printed Circuit Board; Parts Only	3rd to 5th Year
Limited Warranty for Racks (Does Not Include Rack Components); Parts Only	3rd to 5th Year
Limited Warranty for Rust-through On Inner Tub Liner; Parts Only	Lifetime

### DISHWASHER & CUTOUT DIMENSIONS



measurements in inches and mm

These warranties give you specific legal rights and you may have other rights that vary from state to state. Full warranty and limited warranty from date of installation. For complete warranty details, refer to your Use & Care manual, or ask your dealer.

Specifications are for planning purposes only. Refer to installation instructions and consult your countertop supplier prior to making counter opening. Consult with a heating and ventilation engineer for your specific ventilation requirements. For the most detailed information, refer to installation instructions accompanying product or write to Thermador indicating the model number. Specifications are correct at time of printing. Thermador reserves the right to change product specifications or design without notice. Some models are certified for use in Canada. Thermador is not responsible for products that are transported from the U.S. for use in Canada.