

# USE & CARE MANUAL



# BLUESTAR<sup>®</sup>

Built-in Refrigerator

## Thank You and Welcome

Thank you for your purchase and welcome to the BlueStar® family!

BlueStar® refrigerators are designed for discerning home chefs who demand restaurant-quality results in their own kitchens. As the owner of a new BlueStar® refrigerator you can look forward to years of cooling excellence. All equipment is designed and manufactured to the highest quality standards in the industry—specifically to meet the needs of the world's most demanding chef: you. Please review and familiarize yourself with this Use & Care Manual, which includes instructions and tips for getting the most out of your refrigerator.

Please take a few moments to register your product online at [www.bluestarcooking.com/support/product-registration](http://www.bluestarcooking.com/support/product-registration) or call customer service at (877) 427-3290.

Show us your kitchen and review us! Share your stunning new kitchen photos at [www.bluestarcooking.com/inspiration/submit-to-gallery](http://www.bluestarcooking.com/inspiration/submit-to-gallery) and write a review on your experience and your new refrigerator at [www.houzz.com/pro/bluestar-main/bluestar](http://www.houzz.com/pro/bluestar-main/bluestar).

We hope you enjoy your new refrigerator.

The BlueStar® Team

## Contents

---

Safety Information	4
Site Preparation	6
Installation Instructions	8
Models	14
Electronic Control	16
Refrigerator Features	17
Freezer Features	19
Operation	20
Care and Cleaning	22
Troubleshooting	23
Warranty	24

## Model Information

---

The model and serial numbers can be found on the serial plate, which is located inside the refrigerator. Slide out the pull-out tray and the serial plate is on the left side. Please complete the information below for warranty purposes and future reference:

Model Number \_\_\_\_\_

Serial Number \_\_\_\_\_

Installation Date \_\_\_\_\_

Dealer's Name \_\_\_\_\_

Dealer's Phone Number \_\_\_\_\_

Register your refrigerator online at [www.bluestarcooking.com/support/product-registration](http://www.bluestarcooking.com/support/product-registration) or call customer service at (877) 427-3290.

If service is required under the warranty, it must be performed by authorized service personnel. BlueStar also recommends using authorized service personnel if service is required after the warranty expires. To locate authorized service personnel in your area, call customer service at (877) 427-3290.

## Safety Information

Please read and obey the following types of safety messages to ensure your refrigerator is installed and operated as safely as possible:

### ⚠ DANGER

Will cause serious injury or death if instructions are not followed.

### ⚠ WARNING

Can cause serious injury or death if instructions are not followed.

### ⚠ CAUTION

Can cause minor injury or product damage if instructions are not followed.

### ⚠ WARNING

#### Electrical Shock Hazard

Follow these basic precautions:

- Plug into a grounded three-prong outlet.
- Do not remove ground prong.
- Do not use an adapter.
- Do not use an extension cord.
- Disconnect power before servicing.
- Replace all parts and panels before operating.
- Remove doors from your old refrigerator.
- Use nonflammable cleaner.
- Keep flammable materials and vapors, such as gasoline, away from refrigerator.
- Use two or more people to move and install refrigerator.

Failure to follow these instructions can result in death, electrical shock, or fire.

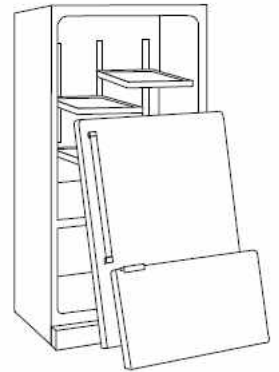
### ⚠ DANGER

#### Suffocation Hazard

Remove doors from old refrigerators. Failure to follow these instructions can cause death or brain damage.

**Important:** Child entrapment and suffocation are not problems of the past. Junked or abandoned refrigerators are still dangerous even if they will sit for a few days. Before you throw away your old refrigerator or freezer, do the following:

- Take off the doors.
- Leave the shelves in place so that children may not easily climb inside.



## Renseignements sur la sécurité

Veillez lire et observer les types suivants de messages de sécurité pour vous assurer que votre réfrigérateur est installé et utilisé de la façon la plus sécurisée possible:

### ⚠ DANGER

Provoque des blessures graves, voire la mort, si les instructions ne sont pas observées.

### ⚠ AVERTISSEMENT

Peut entraîner des blessures graves, voire la mort, si les instructions ne sont pas observées.

### ⚠ MISE EN GARDE

Peut entraîner des blessures légères ou des dommages sur produit si les instructions ne sont pas observées.

### ⚠ AVERTISSEMENT

#### Risque de choc électrique

Observer les précautions de base suivantes

- Brancher l'appareil à une prise triphasée mise à la terre.
- Ne pas retirer la broche de mise à la terre.
- Ne pas utiliser d'adaptateur.
- Ne pas utiliser de rallonge.
- Débrancher l'alimentation avant l'entretien.
- Remettre en place toutes les pièces et tous les panneaux avant d'utiliser le produit.
- Déposer les portes de votre ancien réfrigérateur.
- Utiliser un nettoyant ininflammable.
- Garder les matières et les vapeurs inflammables, comme l'essence, à l'écart du réfrigérateur.
- Deux personnes ou plus doivent déplacer et installer le réfrigérateur.

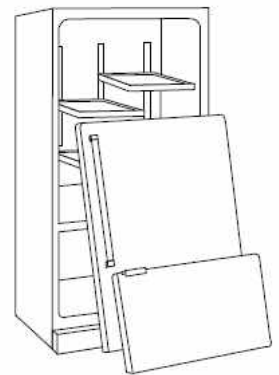
Le non-respect de ces instructions peut entraîner la mort, un choc électrique ou un incendie.

### ⚠ DANGER

#### Risque d'étouffement

Déposer les portes des anciens réfrigérateurs. Le non-respect de ces instructions peut entraîner la mort ou des lésions cérébrales.

**Important:** Le coincement et l'étouffement des enfants ne sont pas des problèmes du passé. Les réfrigérateurs mis au rebut ou abandonnés restent dangereux même s'ils doivent reposer pendant quelques jours. Avant de jeter votre ancien réfrigérateur ou congélateur, observez les consignes suivantes:



- Déposer les portes.
- Laisser les étagères en place pour que les enfants ne puissent pas grimper facilement à l'intérieur.

## Site Preparation

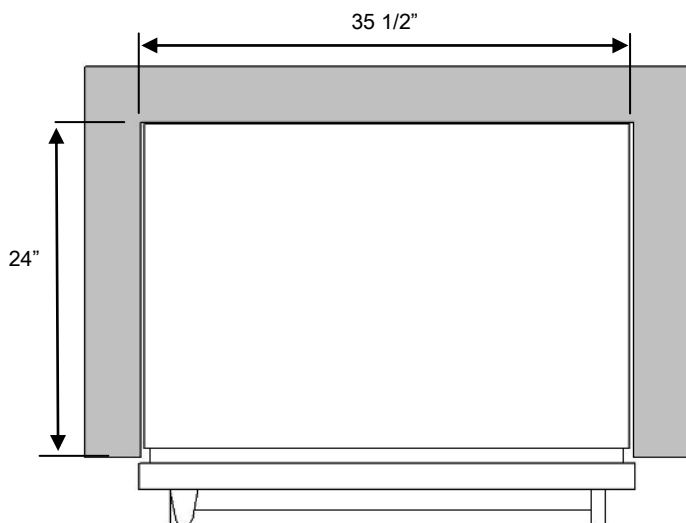
### Opening Dimensions

Height: 84"

Width: 35 1/2"

Depth: 24" minimum

For more specific installation options and drawings, go to [www.bluestarcooking.com](http://www.bluestarcooking.com).



### Electrical

**Location:** The electrical outlet should be located in the area marked "Electrical" in Fig. 1.

The electrical outlet may also be located above the enclosure. However, an access hole would need to be created in the back left corner of the top of the enclosure to route the power cord.

**Requirements:** The electrical outlet must be on a separate 115VAC, 60Hz, 15 amp circuit and accept a three-prong grounding plug.

### ⚠ CAUTION

#### Electrical Shock Hazard

Electrical outlet must be checked by a qualified electrician to confirm it meets all applicable electrical codes. Failure to follow these instructions can result in death, electrical shock, or fire.

### ⚠ MISE EN GARDE

#### Risque de choc électrique

La prise électrique doit être vérifiée par un électricien qualifié pour confirmer qu'elle est conforme aux codes électriques applicables. Le non-respect de ces instructions peut entraîner la mort, un choc électrique ou un incendie.

# Site Preparation

## Plumbing

**Location:** The water line should be located in the area marked "Water" in Fig 1. This area also extends 10" forward on the floor.

If it is outside this area, it may be damaged during installation and prevent the refrigerator from being installed at the proper depth.

**Requirements:** The water line must use 1/4" OD copper, braided stainless steel, or PEX tubing and have 36" of excess line.

**Water Pressure:** The water pressure must be between 35-120 psi.

**Important:** The water line cannot be exposed to temperatures below freezing.

Connect the water line to the household water supply with an easily accessible shut-off valve, not a self-piercing valve. Purge the water line before connecting it to the refrigerator. This will remove any debris that may be present.

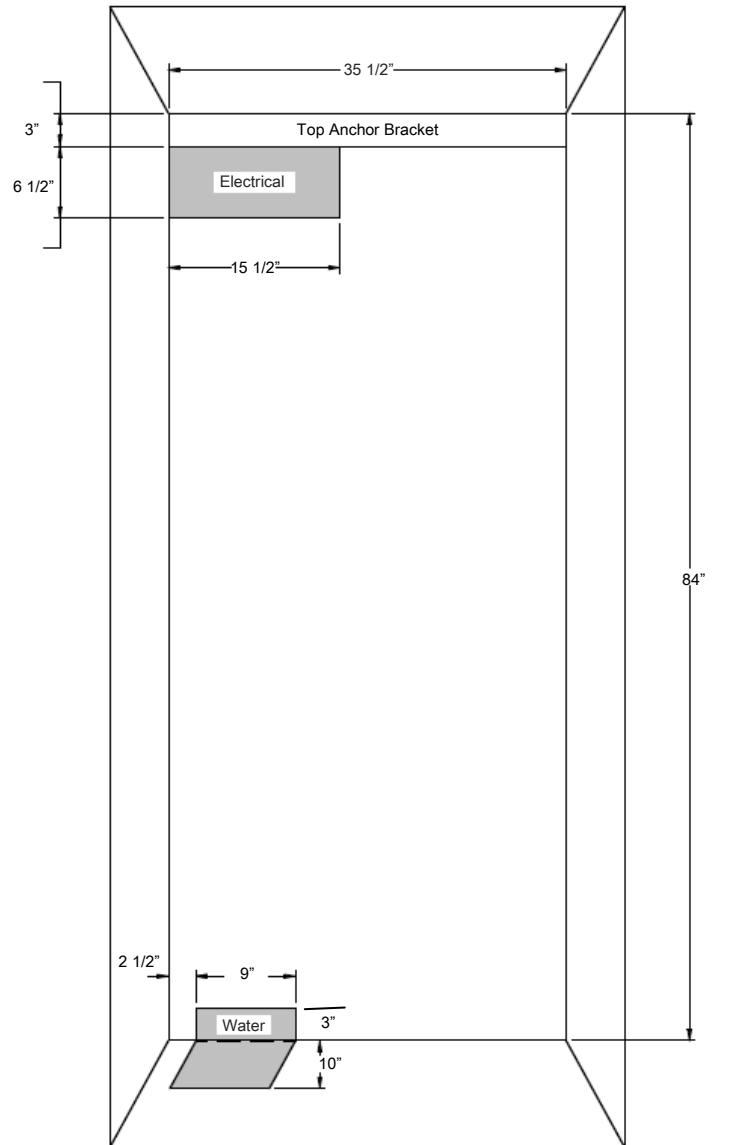


Fig 1

# Installation Instructions

## Tools and Materials

- Phillips screwdriver
- Flat blade screwdriver
- Power drill and drill bits (for anchor bracket)
- Stud finder (for anchor bracket)
- 1/2" socket wrench
- Tubing cutter (for water line)
- 3' of 1/4" OD copper, braided stainless steel, or PEX tubing (for water line)
- Saddle valve (for water line)
- 1/2" open end wrench
- 5/16" hex head socket
- Gloves
- Safety glasses

## **⚠ WARNING**

### **Tip Over Hazard**

Refrigerator is top heavy and tips easily when not completely installed. Use two or more people to move and install refrigerator. Failure to follow these instructions can result in death or serious injury.

## **⚠ AVERTISSEMENT**

### **Risque de renversement**

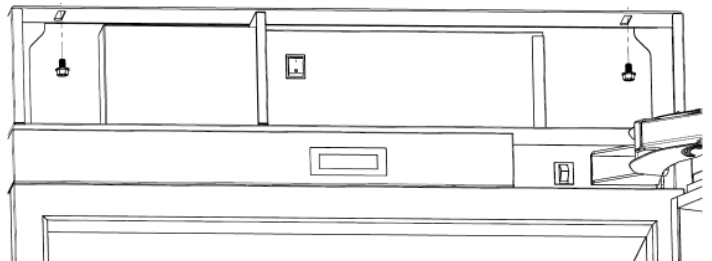
Le réfrigérateur est très lourd et se renverse facilement quand il n'est pas complètement installé. Deux personnes ou plus doivent déplacer et installer le réfrigérateur. Le non-respect de ces instructions peut entraîner la mort ou des blessures graves.

## **Step 1 — Uncrate and Inspect Refrigerator**

- Before starting the installation, uncrate and inspect the refrigerator. Remove the packing materials but do not discard the anchor bracket, toe grille, and associated hardware.

## **Step 2 — Install Anchor Bracket**

- The anchor bracket is attached to the top of the refrigerator during shipping. Remove it by lifting the top grille and removing the two bolts with a 1/2" socket wrench. Save the bolts and any washers to use when anchoring the refrigerator in the final position in Step 4.





# Installation Instructions

## Step 2 — Install Anchor Bracket (continued)

### **⚠ WARNING**

#### **Tip Over Hazard**

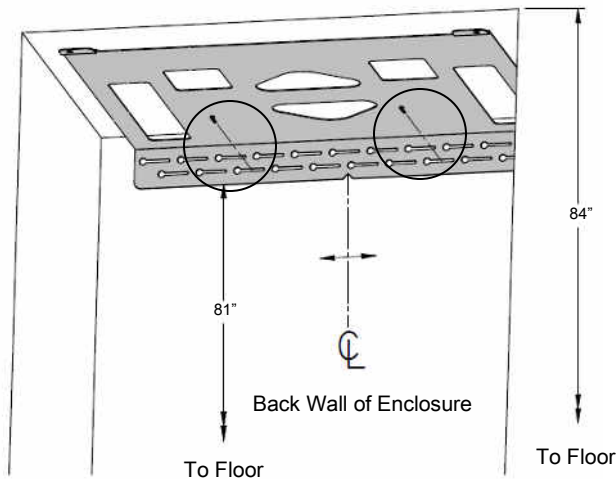
Anchor bracket must be installed properly to prevent refrigerator from tipping. Failure to follow these instructions can result in death or serious injury.

### **⚠ AVERTISSEMENT**

#### **Risque de renversement**

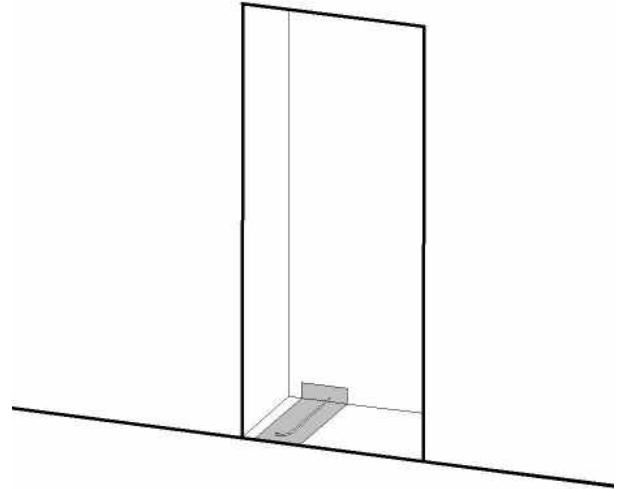
Le support d'ancrage doit être installé correctement pour empêcher le renversement du réfrigérateur. Le non-respect de ces instructions peut entraîner la mort ou des blessures graves.

- Install the anchor bracket on the back wall of the enclosure. The notch in the back of the bracket should be centered in the enclosure (from side to side). Secure the anchor bracket with at least two screws spaced far apart, close to the sides of the bracket. Wood screws and self drilling sheet metal screws are located in the plastic bag with the literature. Screws must be securely threaded into wood or metal studs that are structurally sound and part of the building structure.



## Step 3 — Route Water Line

- Locate the household water line as shown below prior to moving the refrigerator into position. It may be helpful to tape the water line to the floor to avoid damaging it as the refrigerator is rolled into position.



# Installation Instructions

## Step 4 — Move Refrigerator into Position

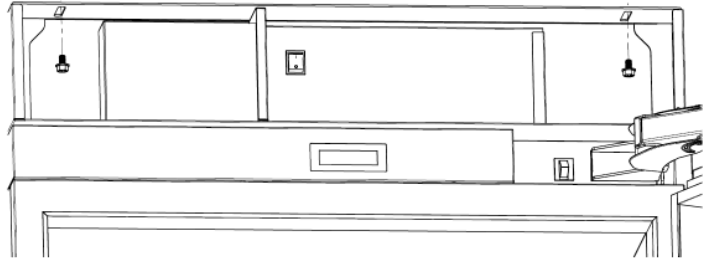
- Remove the wood base with a 1/2" socket or open end wrench and discard the shipping bolts and brackets. Use an appliance cart to move the refrigerator near the front of the enclosure. To allow the refrigerator to be rolled into position, ensure the front feet are retracted with a 1/2" open end wrench. Front and rear leveling can be done from the front once the refrigerator is in position.

**Important:** If the refrigerator has been on its back or side, it must stand upright for a minimum of 24 hours before connecting power.

- Plug the power cord into the grounded outlet. Temporarily lift the anchor bracket away from the top of the refrigerator. It may be helpful to temporarily tape the front of the anchor bracket to the top of the enclosure so it does not obstruct moving the refrigerator into position. Roll the refrigerator into position, ensuring the water line does not interfere underneath and the power cord does not interfere at the back. Slack in the power cord may be taken up in the space around the water filter.

**Important:** If the floor is not level, it may be necessary to level the refrigerator prior to rolling it into the enclosure. See Step 6 on leveling to temporarily tilt the refrigerator. Final leveling can be done from the front.

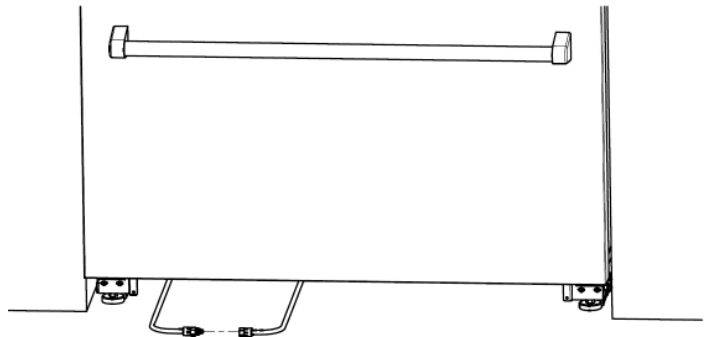
- Lift the top grille and align the slots in the upper cabinet with the holes in the anchor bracket. Install anchor bolts and any washers (from Step 2) with a 1/2" socket or open end wrench but do not tighten until leveling is complete.



**Important:** If the mounting holes do not align with the slots in the top of the cabinet behind the top grille, it may be necessary to roll the refrigerator out of the enclosure, loosen the anchor bracket screws on the back wall, slide the bracket left or right, and retighten the screws.

## Step 5 — Connect Water Line

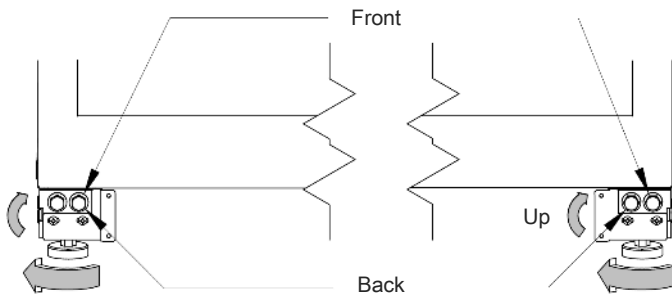
- Place the sleeve and nut on the household water line under the refrigerator and fasten it to the connection at the end of the tubing with a 1/2" open end wrench. The sleeve and nut are located in the plastic bag with the literature. Do not over-tighten. Check all water line fittings for leaks.



# Installation Instructions

## Step 6 — Level Refrigerator

- The height adjustment for the front and back can be made from the front of the refrigerator. Turn the hex bolt clockwise with a 1/2" socket wrench to raise the refrigerator or counterclockwise to lower it. The refrigerator is designed to raise a maximum of 1" from the shipped position. Do not attempt to raise the refrigerator beyond that point as damage to the leveling system will occur.



**Important:** Do not use a power drill and do not over-tighten the leveling bolts.

### ⚠ WARNING

#### Tip Over Hazard

Front leveling legs must be firmly in contact with the floor to reduce the possibility of the refrigerator tipping forward. Failure to follow these instructions can result in death or serious injury.

### ⚠ AVERTISSEMENT

#### Risque de renversement

Les pieds de nivellement avant doivent être fermement en contact avec le plancher pour réduire le risque de renversement du réfrigérateur vers l'avant. Le non-respect de ces instructions peut entraîner la mort ou des blessures graves.

- Once the refrigerator is level, extend the front feet to the floor with a 1/2" open end wrench and hand-tighten an additional half turn. The feet will help stabilize the refrigerator.

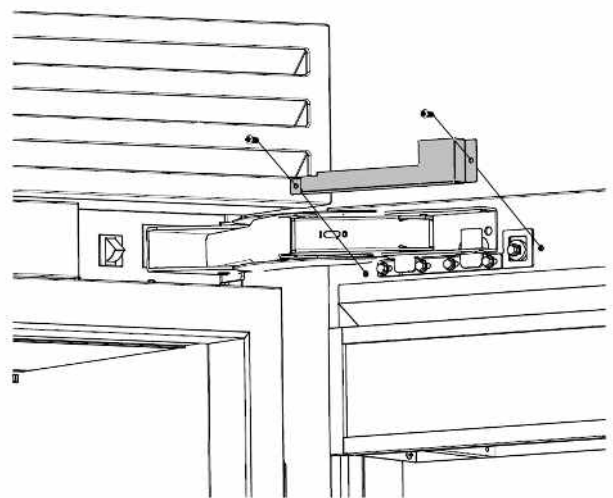
## Step 7 — Align Doors

Only adjust the doors if necessary to achieve uniform gaps and proper alignment.

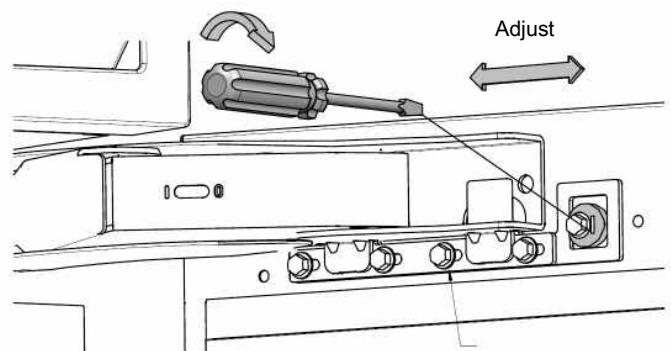
### Refrigerator Door(s)

**Important:** Adjust the top hinge cam(s) or bottom hinge cam independently. Do not loosen the top and bottom hinge bolts at the same time.

- Remove the hinge bracket cover by removing two Phillips screws.



- Slightly loosen the four bolts and the cam bolt with a 5/16" hex head socket.
- Using a flat blade screwdriver, turn the cam clockwise or counterclockwise to move the door left or right as necessary to achieve uniform gaps on the sides and/or between the upper door(s) and lower drawer.



# Installation Instructions

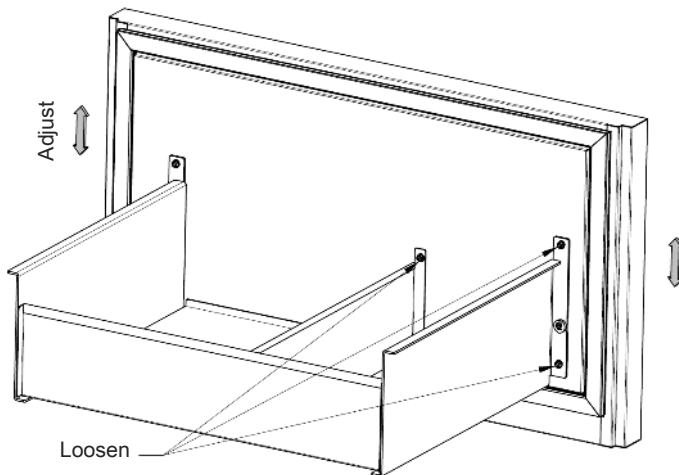
## Step 7 — Align Doors (continued)

- Retighten the five bolts with a 5/16" hex head socket. Bolts need to be tightened to 50 in. lb. It is normal for the door(s) to lower and tilt slightly when loaded with food.
- Replace the hinge bracket cover with two Phillips screws.
- Repeat process for the bottom of the door(s).
- On french door models, repeat the process for other door.

## Freezer Drawer

**Important:** Adjust one side at a time.

- Loosen the two bolts from the side mounting bracket and the divider from the center of the drawer with a 5/16" hex head socket.



- Slide the door up or down as necessary to achieve uniform gaps between the upper door(s) and lower drawer.
- Retighten the bolts and screw with a 5/16" hex head socket. Bolts need to be tightened to 50 in. lb.
- Repeat process for the other side.

## Step 8 — Align Top Grille

Only adjust the top grille if necessary to achieve uniform gaps and proper alignment.

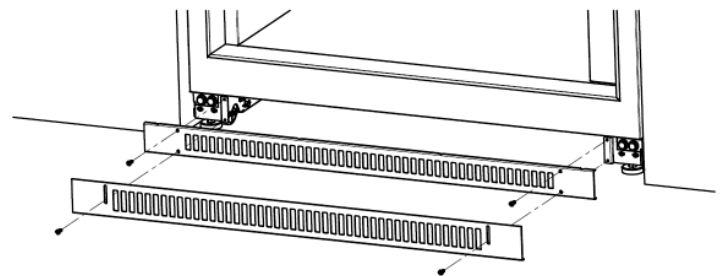
- Top grille can be adjusted vertically where the hinge attaches to the grille. The grille can be adjusted horizontally where the hinge base is attached to the upper cabinet frame.
- Loosen the Phillips screws and adjust the grille. Retighten screws.

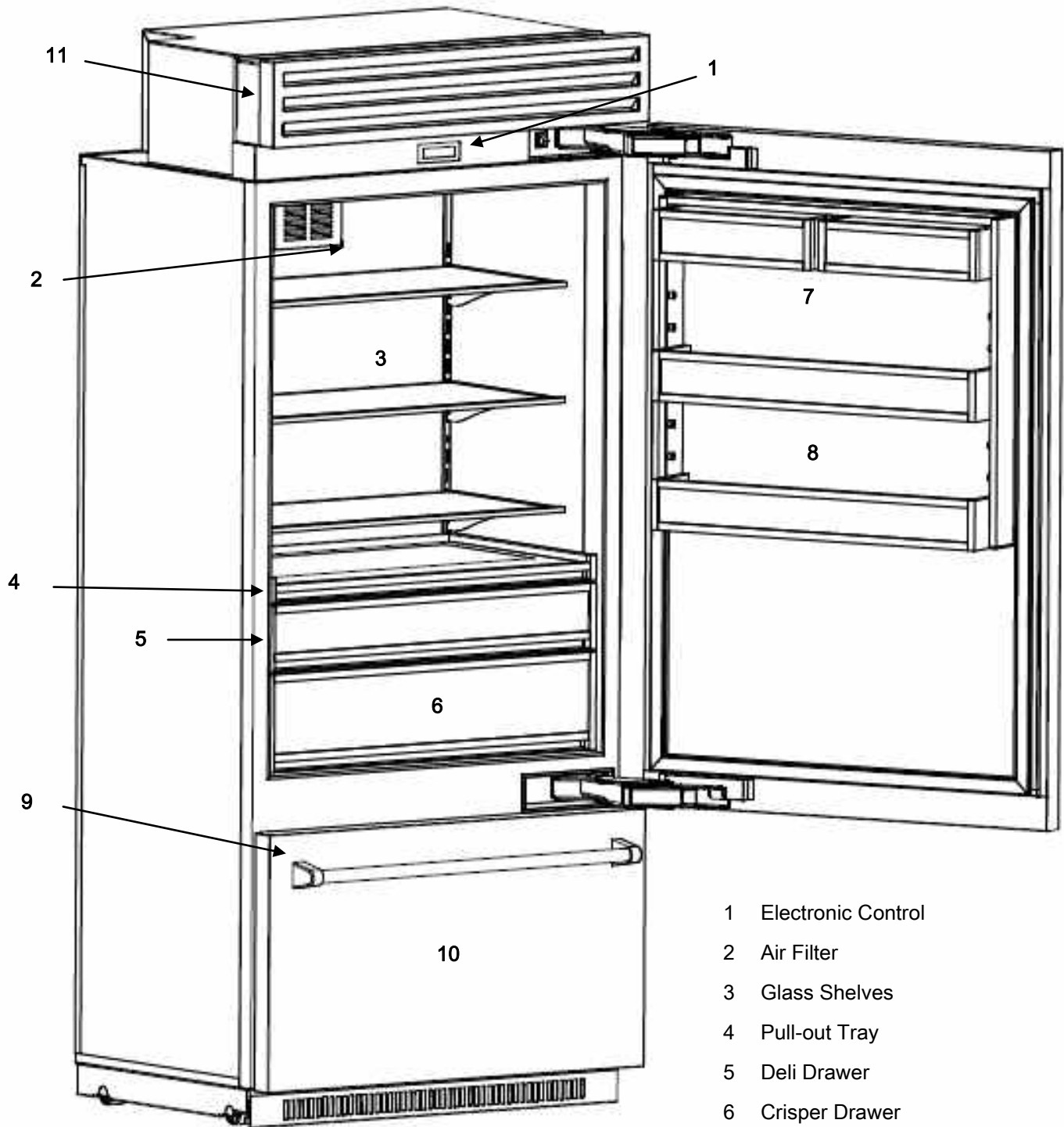
## Step 9 — Anchor Refrigerator

- Tighten the anchor bolts through the top of the cabinet to the anchor bracket with a 1/2" socket wrench. Close the top grille.

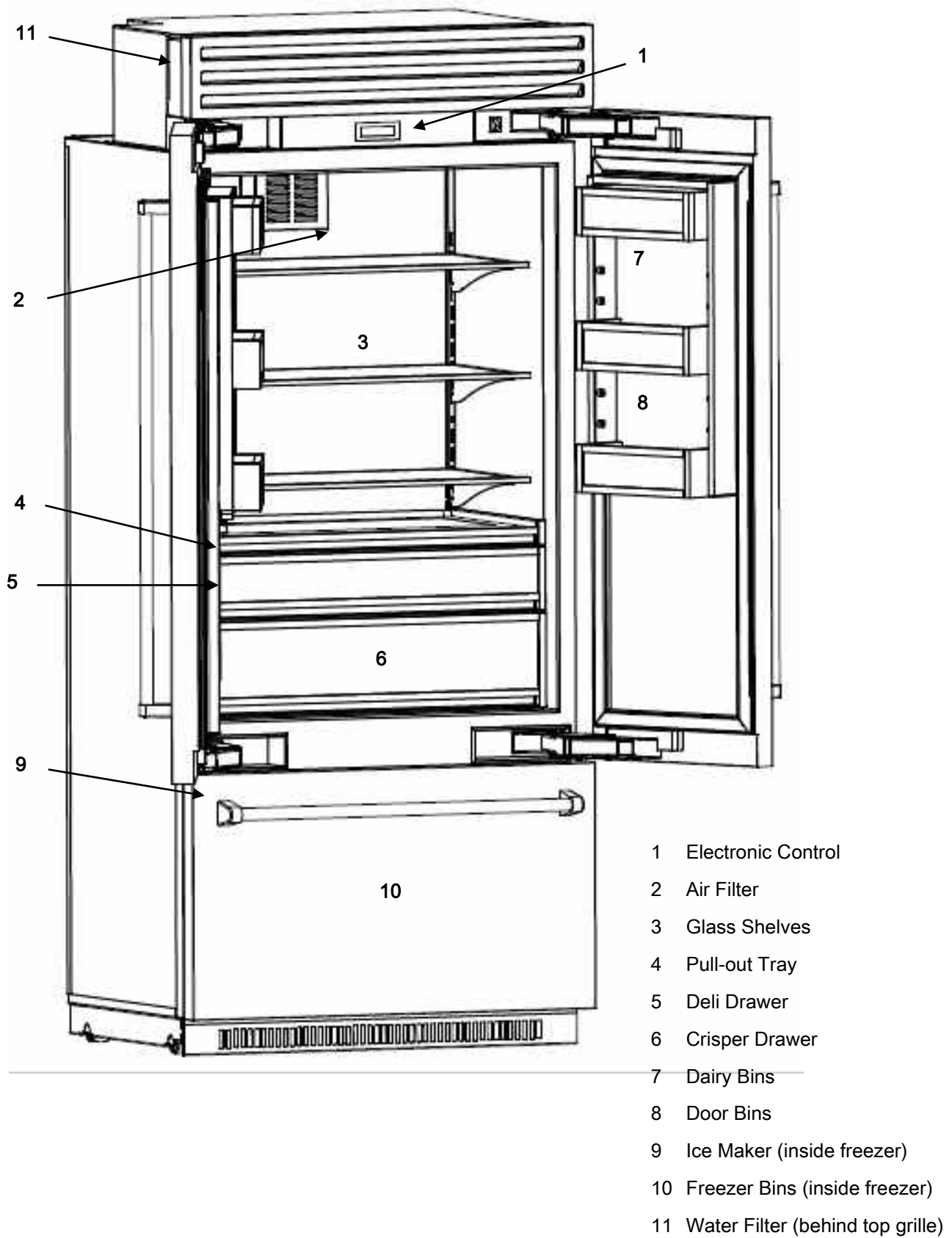
## Step 10 — Install Toe Grille

- Attach the upper toe grille to the brackets at the base of the refrigerator using one black Phillips screw on each side. Brackets may be adjusted side to side to improve the fit to the enclosure.
- Attach the lower toe grille using one black Phillips screw on each side. Bottom of the toe grille should rest on the floor.





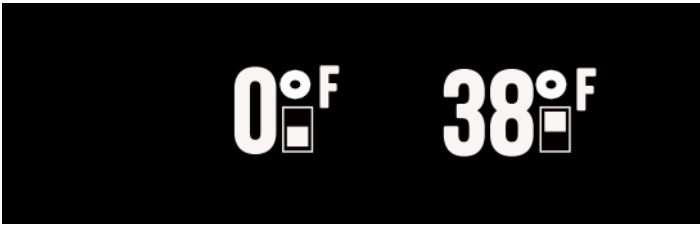
- 1 Electronic Control
- 2 Air Filter
- 3 Glass Shelves
- 4 Pull-out Tray
- 5 Deli Drawer
- 6 Crisper Drawer
- 7 Dairy Bins
- 8 Door Bins
- 9 Ice Maker (inside freezer)
- 10 Freezer Bins (inside freezer)
- 11 Water Filter (behind top grille)



## Electronic Control

### Home Screen

Displays the freezer and refrigerator temperatures. The recommended freezer factory setting is 0°F. The temperature can be set from -5°F to 5°F. The recommended refrigerator factory setting is 38°F. The temperature can be set from 34°F to 42°F.



### Change Temperature Setting

Press and hold either the freezer or refrigerator temperature setting for two seconds. After two seconds, the control will display the temperature setting with up and down arrows. Press the up or down arrow to establish the new temperature setting. Press and hold the new setting for two seconds to confirm it. Once the new setting is confirmed, the control will default to the home screen.



### Main Options

Swipe right or left to access the main options.



#### Max Ice

Increases ice production by 50%. Returns to normal ice production after 24 hours. When Max Ice is activated, the icon is illuminated.



#### Water Filter

Resets the water filter. Press and hold for two seconds to reset the water filter. The remaining percentage is displayed to the right of the icon.



#### Sabbath Mode

Enables or disables Sabbath mode. Press and hold for two seconds to enable Sabbath mode. When Sabbath mode is enabled, the home screen will display the icon. Press and hold the icon on the home screen for two seconds to disable Sabbath mode.



#### Settings

Accesses the settings options.

### Setting Options



#### Ice Maker

Turns the ice maker off or on. The ice maker is shipped on with the bale arm in the lowest position. When the ice maker is on, the icon is illuminated.



#### Alarm

Turns the audible door and high temperature alarms off or on. When the alarm is audible, the icon is illuminated.



#### Fahrenheit or Celsius

Changes the temperature scale. Press to toggle between Fahrenheit and Celsius. The selected scale is illuminated.

## Electronic Control

---

### Alarms

#### Door Alarm

Sounds continuously when the refrigerator and/or freezer door(s) are open for more than five minutes. Shut the refrigerator and/or freezer door(s) to stop the alarm.

#### High Temperature Alarm

Sounds continuously when either the refrigerator temperature exceeds 50°F or the freezer exceeds 20°F for more than three hours. The home screen will flash a series of dashes in place of the refrigerator and/or freezer temperature until the temperature reaches the set temperature.

### Service

The electronic control manages the refrigerator's operating system. If there is an issue with the operating system, the home screen will display "Call for Service" and a series of dashes will flash in place of the refrigerator and freezer temperatures. Please call customer service at (877) 427-3290 to schedule a service call.

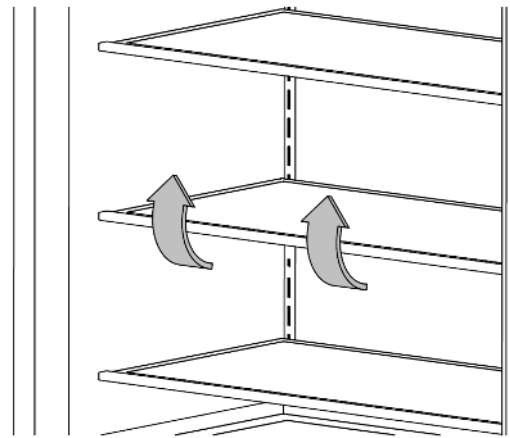
## Refrigerator Features

---

### Spillproof Glass Shelves

**Important:** Glass shelves and drawers are heavy as they are made of glass and metal. Use special care when removing them to avoid impact from dropping. Do not clean glass with warm water when it is cold. Glass may break if exposed to sudden temperature changes or impact, such as bumping.

- **Remove:** Lift the front of the shelf with one hand while supporting the back with the other hand. Lift the back of the shelf out of the shelf supports. Pull the shelf straight out.



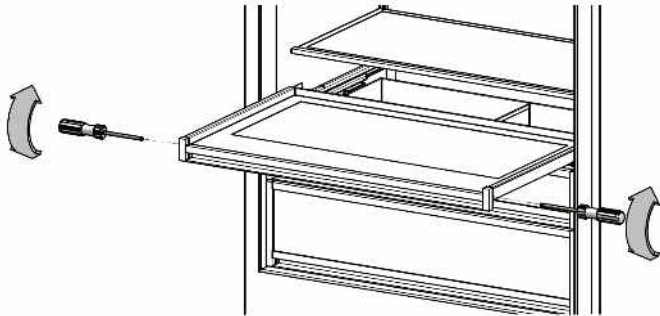
- **Replace:** Guide the rear shelf hooks into the shelf supports. Tilt the front of the shelf up until the rear shelf hooks drop in the shelf supports. Lower the front of the shelf and check to make sure that the shelf is securely in position.



# Refrigerator Features

## Pull-Out Tray

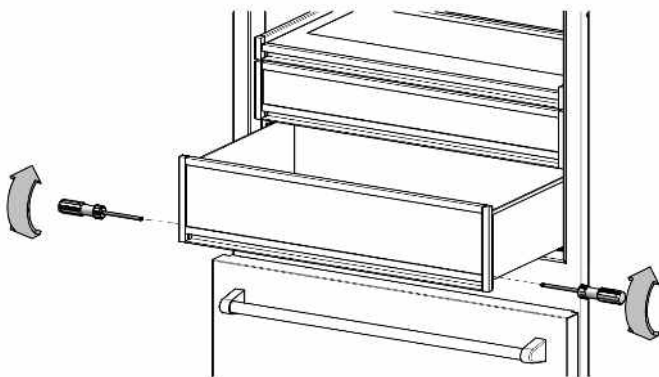
- **Remove:** Pull the tray forward until it stops. Remove the glass by lifting it from underneath the tray. Remove the Phillips screws from both sides of the tray (near the front). Slide the tray forward to release it from the rear hooks on the slides.



- **Replace:** Extend the slides. Align the tray on the slides and push back until the tray engages the rear hooks on the slides. Replace the Phillips screws on both sides of the tray (near the front). Do not over-tighten the screws. Set the glass on top of the tray.

## Deli and Crisper Drawers

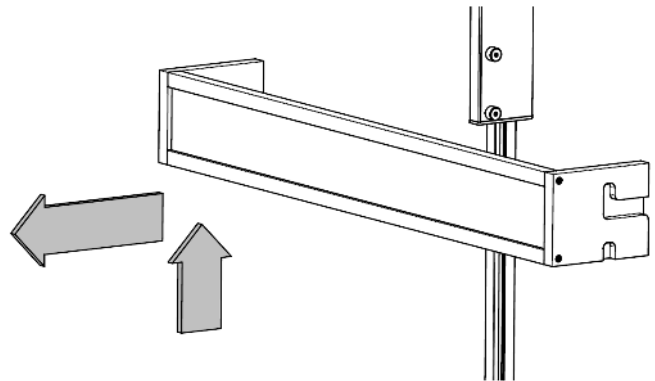
- **Remove:** Pull the drawer forward until it stops. Remove the Phillips screws from both sides of the drawer (near the front). Slide the drawer forward to release it from the rear hooks on the slides.



- **Replace:** Extend the slides. Align the drawer on the slides and push back until the drawer engages the rear hooks on the slides. Replace the Phillips screws on both sides of the drawer (near the front). Do not over-tighten the screws.

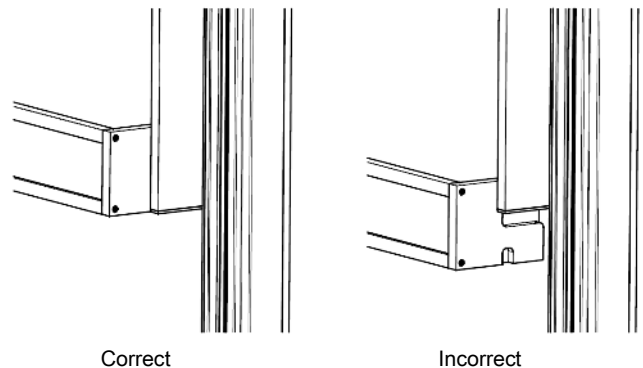
## Dairy and Door Bins

- **Remove:** Lift the bin up and pull it out.



- **Replace:** Place the bin over the pegs in the door and lower it in place. Check to make sure the bin is securely in position.

If placing a door bin in the lowest position, confirm the two pegs are engaged on each side and the bottom of the door bin does not hang below the side walls.

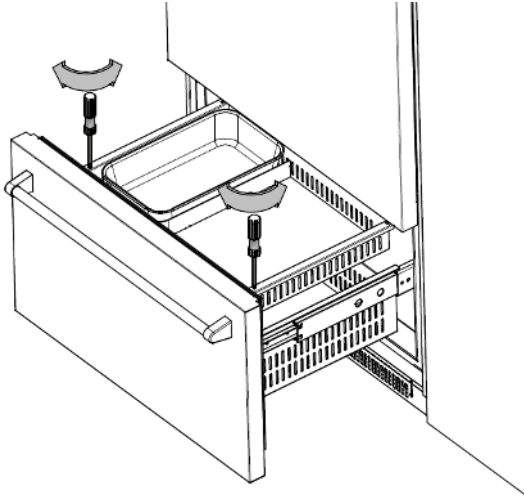


# Freezer Features

## Upper Drawer

**Important:** Drawers are heavy as they are made of metal. Use special care when removing them to avoid impact from dropping.

- **Remove:** Pull the drawer forward until it stops. Remove the Phillips screws from both sides of the drawer (near the front). Slide the drawer forward to release it from the rear hooks on the slides.

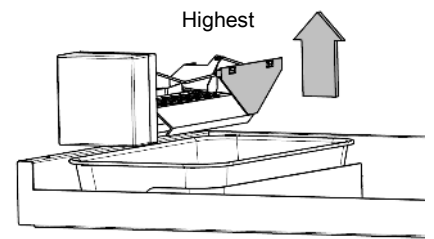
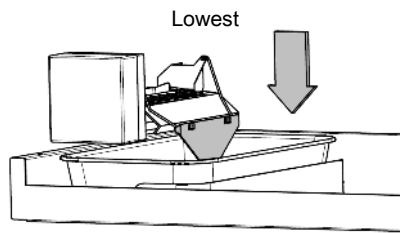


- **Replace:** Extend the slides. Align the drawer on the slides and push back until the drawer engages the rear hooks on the slides. Replace the Phillips screws on both sides of the drawer (near the front). Do not over-tighten the screws.

## Ice Maker

The ice maker will produce approximately 2 1/2 pounds of ice every 24 hours. The Max Ice feature increases ice production by 50%.

When the refrigerator is shipped, the ice maker setting in the electronic control is on and the bale arm (on the ice maker) is in the lowest position. **The electronic control must be on and the bale arm must be in the lowest position for the ice maker to produce ice.**

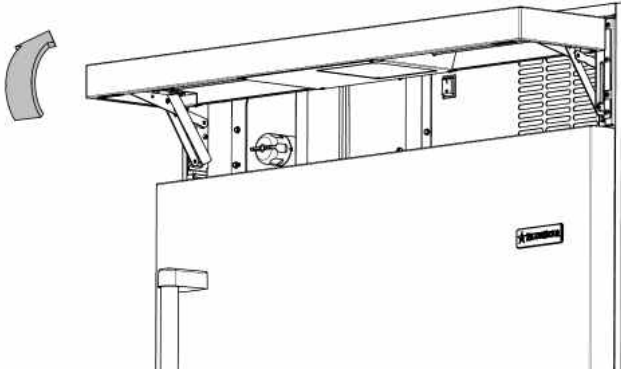


After initially connecting the household water to the water line, discard the first two full pans of ice as the ice may contain air or impurities from the water line.

# Operation

## Top Grille

The top grille lifts up for easy access to the power switch (on the right) and the water filter (on the left). Lift the top grille by pulling out the bottom edge of the top grille and rotating it upwards.



## Power Switch

The power switch turns your refrigerator off or on.

## Water Filter

### ⚠ WARNING

To reduce the risk associated with the ingestion of contaminants, DO NOT use with water that is microbiologically unsafe or of unknown quality without adequate disinfection before or after the system. Systems certified for cyst reduction may be used on disinfected water that may contain filterable cysts.

EPA Establishment 070595-MEX-001.

### ⚠ AVERTISSEMENT

Pour réduire le risque lié à l'ingestion de contaminants, NE PAS utiliser une eau qui ne soit pas sûre d'un point de vue microbiologique ou dont la qualité est inconnue sans une désinfection adéquate avant ou après le système. Les systèmes certifiés en matière de réduction des kystes peuvent être utilisés pour l'eau désinfectée qui peut contenir des kystes filtrables.

Établissement EPA 070595-MEX-001.

## Water Filter (continued)

The water filter, AP2-200G, supplies filtered water to the ice maker and is located behind the top grille. The water filter is rated for 200 gallons or six months, whichever comes first.

A copy of the water filter data sheet is included with the filter and can also be found at [www.bluestarcooking.com](http://www.bluestarcooking.com).

When using the water filter for the first time, discard the first two full pans of ice as the ice may contain air or impurities from the water line.

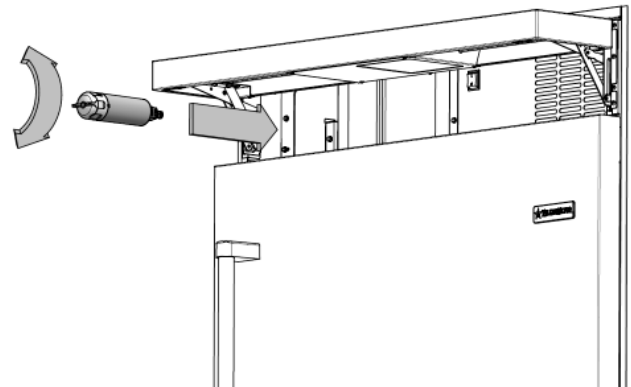
## Replacement Filters

**Important:** Read and follow instructions before installation and use of this system. Change the water filter at the recommended interval; the water filter **MUST** be replaced every six months or sooner. Failure to replace the water filter at the recommended intervals may lead to reduced water filter performance and failure of the water filter, causing property damage from water leakage or flooding.

Replacement water filters can be ordered at [www.bluestarcooking.com](http://www.bluestarcooking.com) or by calling customer service at (877) 427-3290.

When the water filter needs to be replaced, the home screen will display the water filter icon until the water filter is reset.

1. Lift up the top grille to access the water filter.
2. Rotate the old water filter counterclockwise a half turn and pull out. It is normal for a small amount of water to drip when the water filter is removed. Wipe it up with a cloth or paper towel.



# Operation

---

## Water Filter (continued)

3. Remove the water filter from the packaging.
4. Insert the new water filter and rotate it clockwise a half turn.
5. Lower the top grille.
6. Press and hold the water filter icon on the main options screen for two seconds to reset the water filter.

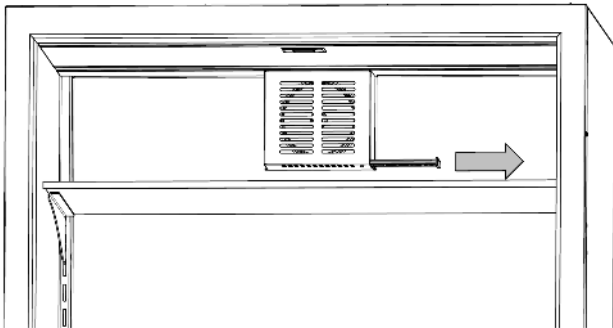
If the water filter will not be used, a bypass plug is not necessary as there is an internal bypass circuit, which eliminates the need for a separate plug.

## Air Filter

The air filter is located in the fan cover on the back wall of the refrigerator and is rated for six months.

Replacement air filters can be ordered at [www.bluestarcooking.com](http://www.bluestarcooking.com) or by calling customer service at (877) 427-3290.

- **Remove:** Pull the tab on the air filter towards the right.



- **Replace:** Remove the air filter from the packaging. Align the air filter with the opening and slide it into the fan cover.

## Lighting

Interior lighting is provided by LEDs. If one needs to be replaced, call customer service at (877) 427-3290 to schedule a service call.

## Sabbath Mode

Enable Sabbath mode on the electronic control. Swipe the display right or left to access the main options screen.



Press and hold for two seconds. When Sabbath mode is enabled, the home screen will display the icon. Press and hold the Sabbath icon on the home screen for two seconds to disable Sabbath mode.

## Vacation

For extended vacations, do the following:

- Turn the refrigerator off using the power switch, located behind the top grille on the right.
- Turn off the water supply to the refrigerator.
- Empty the refrigerator including the ice pan.
- Block the doors open to let air circulate and keep the interior dry.

## Care and Cleaning

Before cleaning, turn the refrigerator off using the power switch, located behind the top grille. When finished cleaning, turn the refrigerator on.

### Stainless Steel Doors and Interior

Use a non-abrasive stainless steel cleaner and a soft cloth. Always follow the grain of the stainless steel.

### Painted Doors and Other Surfaces

Use a mild solution of soap and water and a soft cloth.

## Condenser

### ⚠ CAUTION

#### Electrical Shock Hazard

Turn power off before cleaning condenser. Failure to follow these instructions can result in death, electrical shock, or fire.

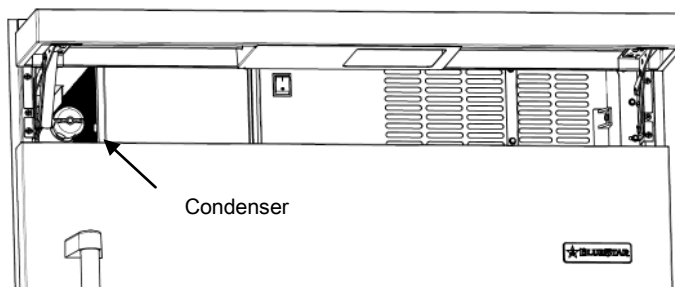
### ⚠ MISE EN GARDE

#### Risque de choc électrique

Mettre le réfrigérateur hors tension avant de nettoyer le condenseur. Le non-respect de ces instructions peut entraîner la mort, un choc électrique ou un incendie.

Clean the condenser every three to six months to ensure proper operation.

1. Lift up the top grille and turn the power off. The condenser is on the left.



2. Use a soft bristle brush and vacuum to remove dust and lint from the condenser. Vacuum in the direction of the fins to avoid damaging the condenser.
3. Turn the power on and lower the top grille.

# Troubleshooting

---

## **The refrigerator makes unusual noises.**

- The following noises are normal:
  - \* Whirring when the fans are operating. When the refrigerator is initially turned on, the fan operates at a higher speed until it reaches the set temperatures.
  - \* Rattling during the flow of refrigerant or water
  - \* Clattering when ice is dropped from the ice maker into the stainless steel pan.
  - \* Buzzing when the water valve opens to fill the ice maker.

## **The refrigerator will not operate.**

- Confirm the power switch is on. The power switch is located behind the top grille.
- Confirm the circuit breaker and electrical power to the refrigerator are on.

## **The lights are not working.**

- Verify the doors are closed. If the doors were left open, the lights turn off after ten minutes to eliminate excess heat.

## **The refrigerator seems to run too much or the temperature is too warm.**

- If a large amount of food was added, the doors were opened frequently, or the doors were left open, the compressors and fans will run to maintain the set temperatures.
- Verify the doors are closed or closing properly.
- Confirm there are no tears in the gaskets. If there are tears in the gaskets, call customer service at (877) 427-3290 to schedule a service call.
- Confirm whether the room temperature is hotter than normal. Increased ambient temperatures may cause compressors to run longer.

## **There is condensation, frost, or ice on the inside of the refrigerator and/or freezer.**

- Verify the doors are closed.
- Confirm there are no tears in the gaskets. If there are tears in the gaskets, call customer service at (877) 427-3290 to schedule a service call.

## **The ice maker is not making ice.**

- Confirm the ice maker setting on the electronic control is on and the bale arm on the ice maker is in the lowest position.
- Replace the water filter.
- Confirm the ice maker has been on for at least 24 hours.
- Verify the freezer temperature is 0°F.
- Confirm the water to the refrigerator is turned on.
- Confirm an ice cube is not stuck in the ice maker. When ice cubes are ejected from the ice maker, a cube may get stuck.
- Confirm there are no kinks in the household water line.

## **The ice is sticking together in the ice bin.**

- It is normal for ice to stick together if it has not been used frequently. Empty the ice bin.

## **The ice has a bad taste and/or odor.**

- Throw away the ice if it has not been used in a long time.
- Clean the freezer compartment.
- Verify the water filter has been replaced and installed correctly.

## **The refrigerator has an odor.**

- Replace the air filter.
- Confirm food is adequately covered as uncovered food could create odors.
- Clean the refrigerator thoroughly.

If assistance is still required, please call customer service at (877) 427-3290.

# Warranty

---

**Who Is Providing The Warranty?** Prizer-Painter Stove Works, Inc. (“Prizer-Painter”) warrants the parts of your BlueStar refrigeration appliance (“product”) as described below.

**Who Does This Warranty Cover?** This warranty covers the owner of the residence in which the product is installed, and his or her spouse (“Owner”).

**What Products Does this Warranty Cover?** This warranty applies only to BlueStar refrigeration appliances purchased in the continental U.S. and Canada and installed in residential properties only for normal residential use. The product must be installed by a trained technician for the warranty to apply. Damages resulting from self-installations and/or installations or product mountings inconsistent with the product specifications void this warranty. This warranty is also void if the original factory installed serial number is altered or removed from the product.

**What Products Does this Warranty Not Cover?** This warranty does not cover products installed or used in any commercial or other non-residential property such as, but not limited to, day care facilities, hotels, motels, inns, and nursing homes. This warranty does not cover products installed outside the U.S. or Canada.

**What Does this Warranty Provide?** Subject to the specific conditions and limitations below, this warranty covers parts and labor necessary to repair or replace any part of the product that contains defects in materials and workmanship that appear under normal use and maintenance of refrigeration appliances in residential properties.

**Two Year Warranty.** For two (2) years from the date of installation, this warranty covers all parts and labor necessary to repair or replace any part on the product that proves defective.

**Five Year Warranty-Sealed System.** For five (5) years from the date of installation, this warranty covers all parts and labor on the compressor, condenser, evaporator, drier and all connecting tubing.

**Thirteen Year Limited Warranty-Sealed System.** For thirteen (13) years from the date of installation, the compressor, condenser, evaporator, drier, and all connecting tubing are covered by a limited parts only warranty.

**Cosmetic Component Warranty.** This warranty covers visible chips, scratches and dents for sixty (60) days from the installation date of the product by the original purchaser. Cosmetic components include stainless steel and painted doors, handles, and surfaces.

**Floor Models Not Used For Demonstration.** There is no cosmetic warranty of any kind for floor models. All other applicable warranties apply from the date of purchase.

**Floor Models Used For Demonstration.** Floor models used for demonstration are covered by a ninety (90) day limited parts warranty only, from the date of installation. There is no service or cosmetic warranty of any kind for floor models.

**Exceptions.** The replacement of a part or product under this warranty does not extend the warranty period. None of these warranty periods continues if the product is removed from the location where it was originally installed. Warranty service in areas beyond a 30 mile radius from an authorized BlueStar retailer or service provider may require certain costs to the consumer.

**What Problems Does this Warranty Not Cover?** This warranty does not cover, and specifically excludes:

- Damage caused by shipping.
- Normal adjustments after installation and setup.
- Normal wear, care, and maintenance of the product as described in the Use and Care Manual.
- Replacement water filters.
- Damage or repairs caused by alterations or modifications, abuse, misuse, neglect, or improper installation, mounting, handling, operation, maintenance or storage.
- Accidental or intentional damage.
- Damage or repairs caused by unauthorized service or repairs, including unauthorized adjustments or calibrations performed on the product.
- Damage or repairs as a result of natural disasters, fires, floods, earthquakes, winds, lightning, corrosive atmosphere, loss of electrical power to the product for any reason, or other conditions beyond Prizer-Painter’s control.
- Damage or repairs caused by alteration for outdoor use.
- Damage or repairs caused by the use of harsh chemicals or cleaning products improperly applied.

For further information about this warranty, contact Prizer Painter Customer Service at (877) 427-3290.

# Warranty

---

**How Can An Owner Obtain Warranty Service?** All warranty claims must be submitted to Prizer Painter customer service by calling (877) 427-3290 prior to the expiration of the applicable warranty periods set forth above.

**How Do I Register for the Warranty?** To register, please visit [www.bluestarcooking.com/support/product-registration](http://www.bluestarcooking.com/support/product-registration) or call customer service at (877) 427-3290 for assistance.

**California and Quebec Residents.** Failure by California and Quebec residents to register does not diminish warranty rights.

**LIMITATIONS ON LIABILITY.** This warranty is in lieu of all other express warranties. **ALL IMPLIED WARRANTIES, INCLUDING BUT NOT LIMITED TO WARRANTIES OF MERCHANTABILITY AND FITNESS FOR PARTICULAR PURPOSE ARE LIMITED TO THE DURATION OF THIS WARRANTY.** Some states and provinces do not allow limitations on implied warranties, so the above limitations may not apply to you.

**THE OWNER AND PRIZER-PAINTER AGREE THAT THE REMEDIES SET OUT HEREIN ARE THE OWNER'S EXCLUSIVE REMEDIES FOR BREACH OF ALL WARRANTIES, EXPRESS OR IMPLIED.**

**WHETHER ANY CLAIM IS BASED ON NEGLIGENCE OR OTHER TORT, BREACH OF WARRANTY OR BREACH OF CONTRACT, OR ANY OTHER TORT THEORY, PRIZER-PAINTER SHALL IN NO EVENT BE LIABLE FOR INCIDENTAL, CONSEQUENTIAL OR SPECIAL DAMAGES, INCLUDING BUT NOT LIMITED TO EXTRA UTILITY EXPENSES, SHIPPING COSTS RELATED TO REPAIR OR REPLACEMENT OF ANY PRODUCT OR DAMAGES TO PROPERTY, RESULTING FROM BREACH OF THIS WARRANTY OR ANY IMPLIED WARRANTY.** Some states and provinces do not allow the exclusion or limitation of incidental or consequential damages, so this provision may not apply to you.

This limited warranty gives you specific legal rights, and you may also have other rights that may vary from state to state or province to province.

**Where Can Any Legal Remedies Be Pursued?** Please read carefully the Arbitration Clause and its Provisions, which affect your legal rights. The Arbitration Clause is also available on Prizer-Painter's website.

**ARBITRATION CLAUSE. IMPORTANT. PLEASE REVIEW THIS ARBITRATION CLAUSE. IT AFFECTS YOUR LEGAL RIGHTS.**

1. Parties: This arbitration clause affects your rights against Prizer-Painter Stove Works, Inc. and any of its affiliates or employees or agents, successors, or assigns, all of whom together are referred to as "we" or "us" for ease of reference.

2. **ARBITRATION REQUIREMENT: EXCEPT AS STATED BELOW, ANY DISPUTE BETWEEN YOU AND ANY OF US SHALL BE DECIDED BY NEUTRAL, BINDING ARBITRATION RATHER THAN IN COURT OR BY JURY TRIAL.** "Dispute" will be given the broadest possible meaning allowable by law. It includes any dispute, claim, or controversy arising from or relating to your purchase of a Prizer-Painter product, any warranty upon the unit, or the unit's condition. It also includes determination of the scope or applicability of this Arbitration Clause. The arbitration requirement applies to claims in contract and tort, pursuant to statute, or otherwise.

3. **CLASS-ARBITRATION WAIVER: ARBITRATION IS HANDLED ON AN INDIVIDUAL BASIS. IF A DISPUTE IS ARBITRATED, YOU EXPRESSLY WAIVE ANY RIGHT TO PARTICIPATE AS A CLASS REPRESENTATIVE OR CLASS MEMBER ON ANY CLASS CLAIM YOU MAY HAVE AGAINST US, OR AS A PRIVATE ATTORNEY GENERAL OR IN ANY OTHER REPRESENTATIVE CAPACITY. YOU ALSO WAIVE ANY RIGHT TO CLASS ARBITRATION OR ANY CONSOLIDATION OF INDIVIDUAL ARBITRATIONS.**

4. Discovery and Other Rights: Discovery and rights to appeal in arbitration are generally more limited than in a lawsuit. This applies to both you and us. Other rights that you or we would have in court may not be available in arbitration. Please read this Arbitration Clause and consult the rules of the arbitration organizations listed below for more information.



# Warranty

---

**5. SMALL CLAIMS COURT OPTION: YOU MAY CHOOSE TO LITIGATE ANY DISPUTE BETWEEN YOU AND ANY OF US IN SMALL CLAIMS COURT, RATHER THAN IN ARBITRATION, IF THE DISPUTE MEETS ALL REQUIREMENTS TO BE HEARD IN SMALL CLAIMS COURT.**

**6. OPTING OUT OF THIS ARBITRATION CLAUSE: YOU MAY OPT OUT OF THIS ARBITRATION CLAUSE WITHIN 60 DAYS OF PURCHASE, IF YOU INFORM PRIZER-PAINTER IN WRITING, VIA REGISTERED MAIL (PRIZER-PAINTER, 318 June Ave., Blandon, PA 19510) THAT YOU ARE OPTING OUT.** There is no other procedure to opt out. Opting out of this Arbitration Clause will not affect your other rights under this warranty.

**7. Governing Law:** The procedures and effect of the arbitration clause will be governed by the Federal Arbitration Act (9 U.S.C. § 1 *et seq.*) rather than by state law concerning arbitration. The law governing your warranty rights or other claims will be the law of the state in which you purchased your product. Any court having jurisdiction may enter judgment on the arbitration award.

**8. Rules of the Arbitration:** If the amount in controversy is less than \$50,000, the arbitration will be decided by a single arbitrator. If the amount in controversy is greater than or equal to \$50,000, the arbitration will be decided by a panel of three arbitrators. The arbitrator(s) will be chosen pursuant to the rules of the organization that administers the arbitration. You may choose either of the following arbitration organizations, and its applicable rules: the American Arbitration Association, 1633 Broadway, 10th Floor, New York, NY 10019 ([www.adr.org](http://www.adr.org)); JAMS, 1920 Main Street, Ste. 300, Irvine, CA 92614 ([www.jamsadr.com](http://www.jamsadr.com)); or other organization that you may choose subject to our approval. These organizations' rules can be obtained by contacting or visiting the organization's website. If the arbitration organization's rules conflict with this Arbitration Clause, the provisions of this Arbitration Clause control. The award of the arbitrator(s) shall be final and binding on all parties.

**9. Location of the Arbitration Hearing:** Unless applicable law provides otherwise, the arbitration hearing will be conducted in the federal district in which you reside.

**10. Costs of the Arbitration:** Each party is responsible for its own attorney, expert and other fees, unless awarded by the arbitrator(s) under applicable law. Prizer-Painter will pay your share of the fees charged by the arbitration organization and arbitrator(s) beyond the first \$200. Where permissible by law, you may be required to reimburse Prizer-Painter for the fees of the arbitration organization and arbitrator(s) in whole or in part by decision of the arbitrator(s) at the discretion of the arbitrator(s).

**11. Survival and Enforceability of this Arbitration Clause:** This Arbitration Clause shall survive the expiration or termination, or any transfer, of the warranty on your unit. If any part of this Arbitration Clause, except waivers of class-action rights, is found to be unenforceable for any reason, the remainder shall remain enforceable. If, in a case in which class-action allegations have been, a waiver of class-action rights is found to be unenforceable with respect to all or some parts of a dispute, the remainder of this Arbitration Clause shall be unenforceable as those parts. Instead, those parts will be severed and proceed in court, with the remaining parts proceeding in arbitration.

Name of Owner \_\_\_\_\_

Address of Installation \_\_\_\_\_

City/State-Province/Zip-Postal Code \_\_\_\_\_

Phone # \_\_\_\_\_

Model #: \_\_\_\_\_

Serial # \_\_\_\_\_

Installation Date \_\_\_\_\_

For further information about this warranty, contact Prizer Painter Customer Service at (877) 427-3290.

### **For Dealer's Only**

- Enable showroom mode by swiping the main screen left or right to access the main options. Press the settings icon to access the settings options. Press the Alarm icon and the blank space at the same time for three seconds. An S with a circle around it will appear in the upper left corner on the main screen.
- Disable showroom mode by swiping the main screen left or right to access the main options. Press the settings icon to access the settings options. Press the Alarm icon and the blank space at the same time for three seconds.





Tested and Certified in System Model BS-AP2-200G  
against NSF/ANSI Standards 42 and 53 for the reduction of  
the claims specified on the Performance Data Sheet.