

OUTDOOR WALL HOOD
USE AND CARE GUIDE

CLEANING, MAINTENANCE, AND MORE



Contents

- 4 Safety Precautions
- 6 Hood Features
- 7 Hood Operation
- 9 Care Recommendations
- 10 Troubleshooting
- 11 Wolf Warranty

Customer Care

The model and serial number are printed on the enclosed product registration card. Both numbers are also listed on the product rating plate. Refer to page 6 for rating plate location. For warranty purposes, you will also need the date of installation and name of your authorized Wolf dealer. Record this information below for future reference.

SERVICE INFORMATION

Model Number	_____
Serial Number	_____
Date of Installation	_____
Certified Service Name	_____
Certified Service Number	_____
Authorized Dealer	_____
Dealer Number	_____

If your product ever needs attention, be sure to use a Wolf Factory Certified Service provider recommended by our Customer Care Center, or select one from our list of providers available at wolfappliance.com/locator. All Factory Certified Service providers are carefully selected and thoroughly trained by us.

Important Note

To ensure this product is installed and operated as safely and efficiently as possible, take note of the following types of highlighted information throughout this guide:

IMPORTANT NOTE highlights information that is especially important.

CAUTION indicates a situation where minor injury or product damage may occur if instructions are not followed.

WARNING states a hazard that may cause serious injury or death if precautions are not followed.

IMPORTANT NOTE: Throughout this guide, dimensions in parentheses are millimeters unless otherwise specified.

IMPORTANT INSTRUCTIONS

READ AND SAVE THESE INSTRUCTIONS

- Read this use and care guide carefully before using your new ventilation hood to reduce the risk of fire, electric shock, or injury to persons.
- Ensure proper installation and servicing. This appliance must be properly installed and grounded by a qualified technician.
- Warranty service must be performed by Wolf Factory Certified Service.
- Installation work and electrical wiring must be done by qualified person(s) in accordance with all applicable codes and standards, including fire-rated construction codes and standards.

▲ WARNING

TO REDUCE THE RISK OF FIRE, ELECTRIC SHOCK, OR INJURY TO PERSONS, OBSERVE THE FOLLOWING:

- a) Use this unit only in the manner intended by the manufacturer. If you have questions, contact the manufacturer.
- b) Before servicing or cleaning unit, unplug the appliance or switch power off at service panel and lock the service disconnecting means to prevent power from being switched on accidentally. When the service disconnecting means cannot be locked, securely fasten a prominent warning device, such as a tag, to the service panel.

GENERAL SAFETY PRECAUTIONS

- Sufficient air is needed for proper combustion and exhausting of gases through the flue (chimney) of fuel burning equipment to prevent back drafting.
- Follow the heating equipment manufacturer's guideline and safety standards such as those published by the National Fire Protection Association (NFPA), the American Society for Heating, Refrigeration and Air Conditioning Engineers (ASHRAE), and the local code authorities.

▲ CAUTION

For general ventilating use only. Do not use to exhaust hazardous or explosive materials and vapors.

- Ducted fans must always be vented to the outdoors.
- To reduce the risk of fire, use only steel ductwork.

▲ CAUTION

To reduce the risk of fire and properly exhaust air, be certain to duct air outside. Do not vent exhaust air into spaces within walls or ceilings or into attics, crawl spaces, or garages.

IMPORTANT INSTRUCTIONS

GENERAL SAFETY PRECAUTIONS

- Do not repair or replace any part of this appliance unless specifically recommended in this guide. All other service should be performed by a qualified technician.
- To avoid motor bearing damage and noisy or unbalanced impellers, keep drywall spray, construction dust, etc. off power unit.
- When cutting or drilling into wall or ceiling, do not damage electrical wiring or other hidden utilities.
- Please read the specification label on the ventilation hood for further information and requirements.

⚠ WARNING

TO REDUCE THE RISK OF A RANGE TOP GREASE FIRE:

- Never leave surface units unattended at high settings. Boilovers cause smoking and greasy spillovers that may ignite. Heat oils slowly on low or medium settings.
- Always turn hood ON when cooking at high heat or when flambéing food (i.e. Crepes Suzette, Cherries Jubilee, Peppercorn Beef Flambé).
- Clean ventilating fans frequently. Grease should not be allowed to accumulate on fan or filter.
- Use proper pan size. Always use cookware appropriate for the size of the surface element.

⚠ WARNING

TO REDUCE THE RISK OF INJURY TO PERSONS IN THE EVENT OF A RANGE TOP GREASE FIRE, OBSERVE THE FOLLOWING*:

- SMOTHER FLAMES** with a close-fitting lid, cookie sheet, or metal tray, then turn off the burner. **BE CAREFUL TO PREVENT BURNS.** If the flames do not go out immediately, **EVACUATE AND CALL THE FIRE DEPARTMENT.**
- NEVER PICK UP A FLAMING PAN**— You may be burned.
- DO NOT USE WATER**, including wet dishcloths or towels—a violent steam explosion will result.
- Use an extinguisher **ONLY** if:
 - You know you have a Class ABC extinguisher, and you already know how to operate it.
 - The fire is small and contained in the area where it started.
 - The fire department is being called.
 - You can fight the fire with your back to an exit.

*Based on “Kitchen Fire Safety Tips” published by NFPA.

⚠ WARNING

PROPOSITION 65 FOR CALIFORNIA RESIDENTS

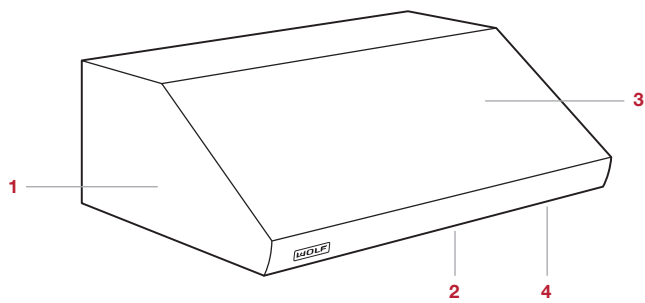
Cancer and Reproductive Harm—
www.P65Warnings.ca.gov

HOOD FEATURES

Outdoor Wall Hood Features

FEATURES

- | | |
|---|--|
| 1 | Product Rating Plate (inside hood shell) |
| 2 | Controls |
| 3 | Filters |
| 4 | Halogen Lighting |



Outdoor Wall Hood

HOOD OPERATION

Hood Controls

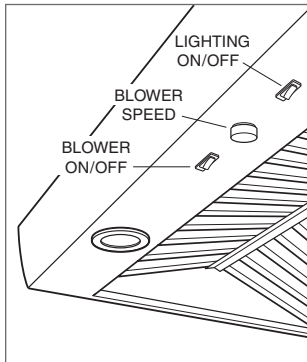
The controls for the Outdoor Wall Hood are located under the front edge of the hood. Refer to the illustration below.

LIGHTS

Use the ON/OFF switch on the right to turn the halogen lights on or off.

BLOWER

The blower is operated using two controls. Use the ON/OFF switch on the left to turn the blower on or off. When the blower is on, the switch turns red and the speed control knob operates the blower with infinite control of the blower speed. Turn the control knob clockwise to increase the blower speed and counterclockwise to decrease the blower speed.



Hood controls

Heat Sentry

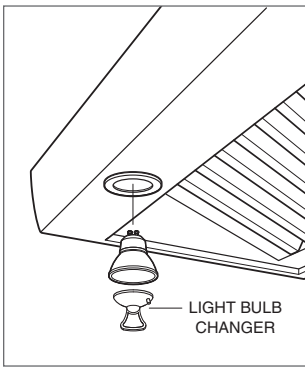
The heat sentry feature automatically turns the blower on or increases the blower speed when the exhaust temperature exceeds 200°F (95°C). It automatically adjusts the blower speed to the previous setting once the temperature drops below 186°F (85°C).

Lighting

LIGHT BULBS

The Outdoor Wall Hood requires 50W, 120V, GU10 halogen light bulbs, available through an authorized Wolf dealer. For local dealer information, visit the find a showroom section of our website, wolfappliance.com.

A suction-cup-style light bulb changer is provided with the hood. To remove a bulb, use the changer to rotate the bulb clockwise one-quarter turn. Refer to the illustration below.



Light bulb replacement

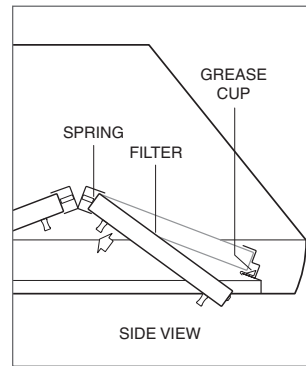
Filter Removal

The grease filters are dishwasher safe. Refer to Care Recommendations on the following page.

Remove the center filter first. To remove, press the filter upward then rotate the bottom downward. Refer to the illustration below. Remove the grease cups from the bottom edge of the hood. Gloves should be worn when handling the filters.

Reinstall the filters using the reverse procedure. Slide the outer filters over slightly to reinstall the center filter.

IMPORTANT NOTE: Do not operate the ventilation hood without the filters. This may damage the blower or other internal components of the hood.



Filters

Care Recommendations

CLEANING

Stainless steel	Use a nonabrasive stainless steel cleaner and apply with a soft lint-free cloth. To bring out the natural luster, lightly wipe the surface with a water-dampened microfiber cloth followed by a dry polishing chamois. Always follow the grain of stainless steel.
Control knobs	Using a damp cloth, wipe with mild detergent or spray degreaser. Rinse and dry. IMPORTANT NOTE: Do not spray cleaners directly on the control knobs.
Filters Grease cups	The filters are dishwasher safe and are designed to fit most dishwashers. Wipe the filters and grease cups to remove excess grease before placing in the dishwasher.

Troubleshooting

OPERATION

Ventilation hood does not operate.

- Verify power is on.
- Verify electrical power to the hood and home circuit breaker is on.

SERVICE

- Maintain the quality built into your product by contacting Wolf Factory Certified Service. For the name of the nearest Wolf Factory Certified Service, check the contact and support section of our website, wolfappliance.com. or call Wolf Customer Care at 800-222-7820.
- When contacting service, you will need the model and serial number of your product. Both numbers are listed on the product rating plate, located inside the left wall of the hood shell. Refer to page 6 for rating plate location.
- For warranty purposes, you will also need the date of installation and name of your authorized Wolf dealer. This information should be recorded on page 3 of this guide.

Wolf Appliance Residential Limited Warranty

FOR RESIDENTIAL USE

FULL TWO YEAR WARRANTY*

For two years from the date of original installation, this Wolf Appliance product warranty covers all parts and labor to repair or replace, under normal residential use, any part of the product that proves to be defective in materials or workmanship. All service provided by Wolf Appliance under the above warranty must be performed by Wolf factory certified service, unless otherwise specified by Wolf Appliance, Inc. Service will be provided during normal business hours.

LIMITED FIVE YEAR WARRANTY

For five years from the date of original installation, Wolf Appliance will repair or replace the following parts that prove to be defective in materials or workmanship: gas burners (excludes appearance), electric heating elements, blower motors (ventilation hoods), electronic control boards, magnetron tubes and induction generators. If the owner uses Wolf factory certified service, the service provider will repair or replace these parts with the owner paying for all other costs, including labor. If the owner uses non-certified service, the owner must contact Wolf Appliance, Inc. (using the information below) to receive repaired or replacement parts. Wolf Appliance will not reimburse the owner for parts purchased from non-certified service or other sources.

TERMS APPLICABLE TO EACH WARRANTY

The warranty applies only to products installed for normal residential use. The warranty applies only to products installed in any one of the fifty states of the United States, the District of Columbia or the ten provinces of Canada. This warranty does not cover any parts or labor to correct any defect caused by negligence, accident or improper use, maintenance, installation, service or repair.

THE REMEDIES DESCRIBED ABOVE FOR EACH WARRANTY ARE THE ONLY ONES THAT WOLF APPLIANCE, INC. WILL PROVIDE, EITHER UNDER THIS WARRANTY OR UNDER ANY WARRANTY ARISING BY OPERATION OF LAW. WOLF APPLIANCE, INC. WILL NOT BE RESPONSIBLE FOR ANY CONSEQUENTIAL OR INCIDENTAL DAMAGES ARISING FROM THE BREACH OF THIS WARRANTY OR ANY OTHER WARRANTY, WHETHER EXPRESS, IMPLIED OR STATUTORY.

Some states do not allow the exclusion or limitation of incidental or consequential damages, so the above limitation or exclusion may not apply to you. This warranty gives you specific legal rights and you may also have other legal rights that vary from state to state.

To receive parts and/or service and the name of Wolf factory certified service nearest you, contact Wolf Appliance, Inc., P.O. Box 44848, Madison, WI 53744; check the contact & support section of our website, wolfappliance.com, email us at customerservice@subzero.com or call 800-222-7820.

*Stainless steel (doors, panels, handles, product frames and interior surfaces) are covered by a limited 60-day parts and labor warranty for cosmetic defects.

*Replacement filters for ventilation hood recirculating kits are not covered by the product warranty.



Contenido

- 4 Precauciones de seguridad
- 6 Funciones de la campana
- 7 Funcionamiento de la campana
- 9 Recomendaciones para el cuidado
- 10 Resolución de problemas
- 11 Garantía de Wolf

Atención al cliente

El modelo y número de serie están impresos en la tarjeta de registro del producto adjunta. Ambos números también aparecen en la placa de datos del producto. Consulte la página 6 para encontrar la placa de datos. Para fines de la garantía, usted también necesitará la fecha de instalación y el nombre de su distribuidor autorizado de Wolf. Guarde la siguiente información para consultas posteriores.

INFORMACIÓN DE SERVICIO

Número de modelo

Número de serie

Fecha de la instalación

Nombre de servicio certificado

Número de servicio certificado

Distribuidor autorizado

Número de distribuidor

Si su producto alguna vez necesita servicio, asegúrese de acudir a un proveedor de servicio certificado de fábrica de Wolf recomendado por nuestro centro de atención al cliente o seleccione uno de nuestra lista de proveedores en wolfappliance.com/locator. Nosotros seleccionamos y capacitamos cuidadosamente a todos los proveedores de servicios certificados.

Aviso importante

Para garantizar que este producto se instale y opere de la forma más segura y eficiente posible, tome nota de los siguientes tipos de información resaltada en este manual:

AVISO IMPORTANTE señala la información que es especialmente importante.

PRECAUCIÓN indica una situación en la que se pueden sufrir heridas leves o provocar daños al producto si no se siguen las instrucciones.

ADVERTENCIA indica peligro de que se produzcan heridas graves o incluso la muerte si no se siguen las precauciones.

AVISO IMPORTANTE: En toda esta guía, las dimensiones entre paréntesis son milímetros, a menos que se especifique lo contrario.

INSTRUCCIONES IMPORTANTES

LEA Y GUARDE ESTAS INSTRUCCIONES

- Lea este manual de uso y cuidado con atención antes de utilizar su nueva campana de ventilación para reducir el riesgo de incendio, descarga eléctrica o lesiones a cualquier persona.
- Asegúrese de que la instalación y el servicio sean los apropiados. Este electrodoméstico debe ser instalado y conectado a tierra por un técnico calificado.
- El servicio de garantía debe ser realizado por un centro de servicio certificado de fábrica de Wolf.
- Una persona calificada debe realizar el trabajo de instalación y cableado eléctrico de conformidad con todos los códigos y normas aplicables, incluyendo los códigos y normas para las construcciones a prueba de fuego.

⚠ ADVERTENCIA

PARA REDUCIR EL RIESGO DE INCENDIO, DESCARGA ELÉCTRICA O LESIONES A LAS PERSONAS, TOME LAS SIGUIENTES PRECAUCIONES:

- a) Utilice esta unidad solamente de la manera prevista por el fabricante. Si tiene alguna pregunta, póngase en contacto con el fabricante.
- b) Antes de reparar o limpiar la unidad, desconecte el aparato o apague el interruptor de encendido en el panel de servicio y bloquee los medios de desconexión del servicio para evitar que se encienda accidentalmente. Cuando no sea posible bloquear los medios de desconexión del servicio, sujete firmemente un dispositivo de advertencia prominente, como una etiqueta, en el panel de servicio.

PRECAUCIONES GENERALES DE SEGURIDAD

- Se necesita suficiente aire para permitir una combustión y escape de gases adecuados por el humero (chimenea) del equipo quemador de combustible para evitar que se produzcan llamaradas.
- Siga las directrices del fabricante del equipo de calefacción y las normas de seguridad como las publicadas por la Asociación Nacional de Protección contra Incendios (NFPA, por sus siglas en inglés) y la Sociedad Estadounidense de Ingenieros en Calefacción, Refrigeración y Aire Acondicionado (ASHRAE, por sus siglas en inglés) y los códigos de las autoridades locales.

⚠ PRECAUCIÓN

Uso exclusivo para ventilación general. No lo utilice para extraer materiales o vapores peligrosos o explosivos.

- Los ventiladores con conductos siempre deben descargarse hacia el exterior.
- Para reducir el riesgo de incendio, utilice solamente conductos de acero.

⚠ PRECAUCIÓN

Para reducir el riesgo de incendio y extraer el aire de manera apropiada, asegúrese de dirigir el aire hacia el exterior. No ventile el aire del escape en espacios cerrados por paredes o techos, áticos, espacios angostos o garajes.

INSTRUCCIONES IMPORTANTES

PRECAUCIONES GENERALES DE SEGURIDAD

- No intente reparar ni cambiar parte alguna de este electrodoméstico a menos que esté específicamente recomendado en esta guía. Todas las demás reparaciones deben ser ejecutadas por un técnico calificado.
- Para evitar daños a los cojinetes del motor e impulsores ruidosos o desequilibrados, mantenga los rocíos de yeso, el polvo de construcción, etcétera lejos de la unidad de potencia.
- Al cortar o perforar la pared o el techo, no dañe el cableado eléctrico u otros servicios ocultos.
- Lea la etiqueta de especificaciones que se encuentra en la campana de ventilación para obtener más información sobre los requisitos.

⚠ ADVERTENCIA

PARA REDUCIR EL RIESGO DE INCENDIO POR IGNICIÓN DE LA GRASA EN LA ESTUFA:

- a) Nunca deje desatendidas las unidades superficiales en una programación de alta temperatura. El rebosamiento por ebullición genera humo y la grasa derramada podría incendiarse. Caliente los aceites lentamente a temperatura baja o media.
- b) Siempre ENCIENDA la campana al cocinar a altas temperaturas o al flamear alimentos (es decir, crepas suzette, cerezas jubileo, ternera flambeada con granos de pimienta).
- c) Limpie los ventiladores con frecuencia. No permita que la grasa se acumule en el ventilador o en el filtro.
- d) Utilice el tamaño de sartén adecuado. Utilice siempre utensilios de cocina apropiados para el tamaño del elemento superficial.

⚠ ADVERTENCIA

PARA REDUCIR EL RIESGO DE LESIONES A LAS PERSONAS EN CASO DE INCENDIO POR IGNICIÓN DE GRASA EN UNA ESTUFA, OBEDEZCA LAS SIGUIENTES PRECAUCIONES*:

- a) SOFOQUE LAS FLAMAS con una tapa ajustada, una lámina para hornear galletas o una bandeja metálica y a continuación apague el quemador. TENGA CUIDADO PARA EVITAR QUEMADURAS. Si las flamas no se apagan inmediatamente, EVACÚE EL LUGAR Y LLAME AL DEPARTAMENTO DE BOMBEROS.
- b) NUNCA LEVANTE UN SARTÉN EN LLAMAS — usted puede quemarse.
- c) NO UTILICE AGUA y tampoco use paños de cocina ni toallas húmedas ya que esto causará una explosión violenta de vapor.
- d) SOLAMENTE utilice un extinguidor si:
 - 1) Tiene un extinguidor Clase ABC y usted sabe cómo operarlo.
 - 2) El incendio es pequeño y está contenido en el área dónde se inició.
 - 3) Alguien está llamando al departamento de bomberos.
 - 4) Usted puede combatir el incendio de espaldas a una salida de emergencia.

*Basado en “Consejos de seguridad contra incendios en la cocina” publicado por la NFPA.

⚠ ADVERTENCIA

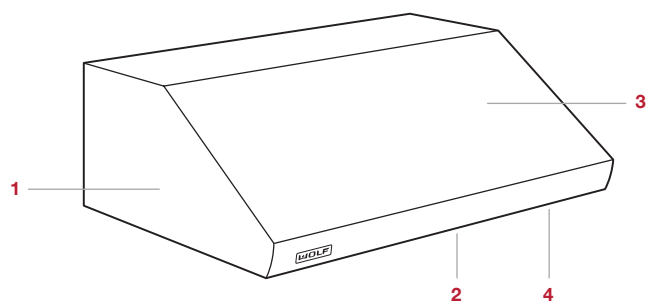
PROPUESTA 65 PARA RESIDENTES DE CALIFORNIA

Cáncer y Daño Reproductivo—
www.P65Warnings.ca.gov

Funciones de la campana de pared exterior

FUNCIONES

- | | |
|----------|--|
| 1 | Placa de datos del producto (en el interior de la carcasa de la campana) |
| 2 | Controles |
| 3 | Filtros |
| 4 | Luz de halógeno |



Campana de pared exterior

Controles de la campana

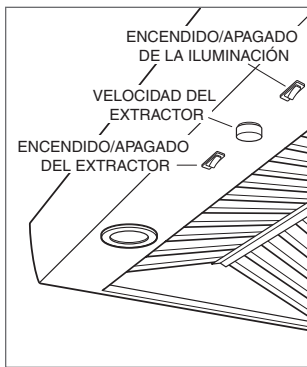
Los controles de la campana de pared exterior están ubicados debajo del borde delantero de la campana. Consulte la siguiente ilustración.

LUCES

Use el interruptor de ENCENDIDO/APAGADO a la derecha para encender o apagar las luces halógenas.

EXTRACTOR

El extractor se hace funcionar mediante dos controles. Use el interruptor de ENCENDIDO/APAGADO a la izquierda para encender o apagar el extractor. Cuando el extractor está encendido, el interruptor se vuelve rojo y la perilla de control de velocidad hace funcionar el extractor con un control infinito de la velocidad del extractor. Gire la perilla de control hacia la derecha para aumentar la velocidad del extractor y hacia la izquierda para disminuir su velocidad.



Controles de la campana

Centinela de calor

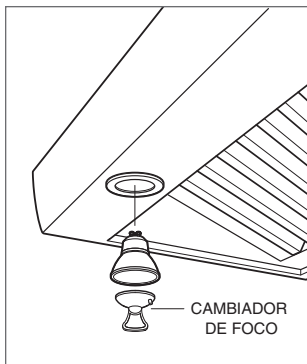
La función de centinela de calor activa automáticamente el extractor o aumenta la velocidad del ventilador cuando la temperatura del escape excede los 200 °F (95 °C). Ajusta automáticamente la velocidad del extractor al ajuste anterior una vez que la temperatura es inferior a 186 °F (85 °C).

Iluminación

FOCOS

La campana de pared exterior requiere focos halógenos GU10 de 50W, 120V, disponibles a través de un distribuidor autorizado de Wolf. Para obtener más información acerca de los distribuidores locales, visite la sección para encontrar una sala de exposición de nuestro sitio web, wolfappliance.com.

Se suministra un cambiador de foco tipo ventosa. Para quitar un foco, use el cambiador para girar el foco hacia la derecha un cuarto de vuelta. Consulte la siguiente ilustración.



Reemplazo del foco

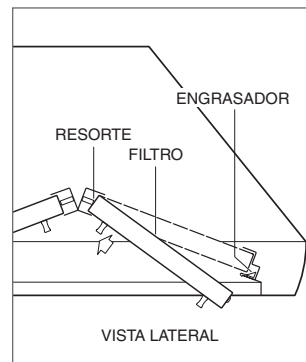
Extracción del filtro

Es seguro lavar los filtros de grasa en el lavavajillas. Consulte las recomendaciones sobre el cuidado en la siguiente página.

Retire primero el filtro central. Para quitarlo, presione el filtro hacia arriba y luego gire la parte inferior hacia abajo. Consulte la siguiente ilustración. Retire los engrasadores del borde inferior de la campana. Al manipular los filtros se deben usar guantes.

Para reinstalar los filtros, invierta el procedimiento. Deslice los filtros exteriores levemente para reinstalar el filtro central.

AVISO IMPORTANTE: No opere la campana de ventilación sin los filtros. Esto puede dañar el extractor u otros componentes internos de la campana.



Filtros

Recomendaciones para el cuidado

LIMPIEZA

Acero inoxidable	Utilice un limpiador no abrasivo para acero inoxidable y aplique con un paño suave que no deje pelusa. Para resaltar el lustre natural, limpie suavemente la superficie con una tela de microfibra humedecida con agua y, luego, pule en seco con una gamuza. Siempre siga la dirección del acabado del acero inoxidable.
Perillas de control	Utilizando un paño húmedo, límpielas con detergente suave o desengrasante en aerosol. Enjuague y seque. AVISO IMPORTANTE: No aplique los limpiadores directamente sobre las perillas de control.
Filtros Engrasadores	Los filtros se pueden lavar y son apropiados para la mayoría de los lavavajillas. Limpie los filtros y los engrasadores con un trapo para retirar el exceso de grasa antes de colocarlos en el lavavajillas.

Solución de problemas

FUNCIONAMIENTO

La campana de ventilación no funciona.

- Compruebe que esté encendida.
- Compruebe que la corriente eléctrica a la campana y el disyuntor de la casa estén encendidos.

SERVICIO

- Para mantener la calidad incorporada en su producto, póngase en contacto con el servicio certificado de fábrica de Wolf. Para conocer los datos del centro de servicio certificado de fábrica de Wolf más cercano, consulte la sección de contacto y servicio técnico en nuestro sitio web, wolfappliance.com, o bien, llame a la línea de atención al cliente de Wolf al 800-222-7820.
- Cuando se comunique con el servicio, necesitará el modelo y el número de serie de su producto. Ambos números aparecen en la placa de datos del producto, ubicada en el interior de la pared izquierda de la carcasa de la campana. Consulte en la página 6 la ubicación de la placa de datos.
- Para fines de la garantía, también necesitará la fecha de instalación y el nombre de su distribuidor autorizado de Wolf. Esta información debe estar registrada en la página 3 de este manual.

Garantía limitada residencial de Wolf Appliance

PARA USO RESIDENCIAL

GARANTÍA COMPLETA DE DOS AÑOS*

Durante dos años a partir de la fecha de la instalación original, la garantía de su producto Wolf Appliance cubre todas las piezas y mano de obra para reparar o cambiar, de acuerdo con el uso residencial normal, cualquier pieza del producto que se compruebe que está defectuosa en material o mano de obra. Todos los servicios proporcionados por Wolf Appliance bajo la garantía anterior deben ser ejecutados por servicios certificados de fábrica de Wolf, a menos que Wolf Appliance, Inc. lo especifique de otra manera. El Servicio se hará durante el horario comercial normal.

GARANTÍA LIMITADA DE CINCO AÑOS

Durante cinco años a partir de la fecha de la instalación original, Wolf Appliance reparará o cambiará los siguientes componentes que se comprueben que están defectuosos en material o mano de obra: quemadores de gas (excluyendo la apariencia), elementos eléctricos de calentamiento, motores de soplores (campanas de ventilación), módulos de control eléctrico, tubos magnetrón y generadores de inducción. Si el propietario utiliza el servicio certificado de fábrica de Wolf, el prestador del servicio reparará o reemplazará estas partes mediante el pago de todos los otros costos, incluyendo mano de obra, a cargo del propietario. Si el propietario usa un servicio no certificado, debe ponerse en contacto con Wolf Appliance, Inc. (mediante la información anotada más adelante) para recibir los componentes reparados o de cambio. Wolf Appliance no reembolsará al propietario los importes correspondientes a los componentes comprados a un servicio no autorizado o a otras fuentes.

TÉRMINOS APLICABLES A CADA GARANTÍA

La garantía se aplica solamente a los productos instalados para uso residencial normal. La garantía se aplica solamente a los productos instalados en cualquiera de los cincuenta estados de Estados Unidos, el Distrito de Columbia o las diez provincias de Canadá. Esta garantía no cubre las partes o mano de obra para corregir cualquier defecto causado por negligencia, accidente o uso, mantenimiento, instalación, servicio o reparación inadecuados.

LOS RECURSOS DESCRITOS ANTERIORMENTE PARA CADA GARANTÍA SON LOS ÚNICOS QUE WOLF APPLIANCE, INC. PROPORCIONARÁ, YA SEA BAJO ESTA GARANTÍA O BAJO CUALQUIER GARANTÍA QUE RESULTE DE LA APLICACIÓN DE LA LEY. WOLF APPLIANCE, INC. NO SE HACE RESPONSABLE POR LOS DAÑOS INDIRECTOS O INCIDENTALES DERIVADOS DEL INCUMPLIMIENTO DE ESTA GARANTÍA O CUALQUIER OTRA GARANTÍA, YA SEA EXPRESA, IMPLÍCITA O LEGAL.

Algunos estados no permiten la exclusión o limitación de daños fortuitos o imprevistos, por lo que la limitación o exclusión anterior podría no aplicarse a su caso. Esta garantía le otorga derechos legales específicos y usted también puede tener otros derechos legales que varían entre estados.

Para recibir las partes o el servicio y el nombre del servicio certificado de fábrica de Wolf más cercano a usted, póngase en contacto con Wolf Appliance, Inc., P.O. Box 44848, Madison, WI 53744; eche un vistazo a la sección de contacto y servicio técnico en nuestro sitio web, wolfappliance.com, envíenos un correo electrónico a customerservice@subzero.com o llame al 800-222-7820.

*Las puertas, paneles, asas, marcos y superficies internas de acero inoxidable están cubiertas por una garantía limitada de 60 días para repuestos y mano de obra, por defectos cosméticos.

*Los filtros de repuesto para los kits de circulación de la campana de ventilación no están cubiertos por la garantía del producto.



Table des matières

- 4 Précautions de sécurité
- 6 Caractéristiques de la hotte
- 7 Fonctionnement de la hotte
- 9 Conseils d'entretien
- 10 Dépannage
- 11 Garantie Wolf

Service à la clientèle

Le numéro de modèle et le numéro de série sont imprimés sur la fiche d'enregistrement du produit ci-jointe. Les deux numéros sont aussi indiqués sur la plaque signalétique du produit. Reportez-vous à la page 6 pour connaître l'emplacement de la plaque signalétique. Pour les besoins de la garantie, vous devrez aussi avoir la date d'installation et le nom de votre dépositaire Wolf autorisé. Inscrivez ces renseignements ci-dessous pour consultation ultérieure.

RENSEIGNEMENTS SUR LE SERVICE

Numéro de modèle

Numéro de série

Date de l'installation

Nom du service certifié

Numéro du service certifié

Dépositaire autorisé

Numéro du dépositaire

Si votre produit a besoin d'être réparé, assurez-vous d'utiliser un fournisseur de service certifié par l'usine Wolf recommandé par notre centre de service à la clientèle, ou sélectionnez-en un parmi la liste de fournisseurs disponibles à wolfappliance.com/locator. Tous les fournisseurs de service certifiés par l'usine sont soigneusement sélectionnés et rigoureusement formés par nous.

Remarque importante

Pour s'assurer que ce produit est installé et utilisé en toute sécurité et aussi efficacement que possible, prenez note des types de renseignement mis en évidence tout au long de ce guide :

REMARQUE IMPORTANTE met en évidence des renseignements qui sont particulièrement importants.

MISE EN GARDE indique une situation où une blessure mineure ou des dommages au produit peuvent se produire si les directives ne sont pas respectées.

AVERTISSEMENT décrit un danger qui peut causer une blessure grave ou la mort si les précautions ne sont pas respectées.

REMARQUE IMPORTANTE : Tout au long de ce guide, les dimensions entre parenthèses sont en millimètres à moins d'indication contraire.

DIRECTIVES IMPORTANTES

LISEZ ET CONSERVEZ CES DIRECTIVES

- Lisez ce guide d'utilisation et d'entretien attentivement avant d'utiliser votre nouvelle hotte de ventilation afin de réduire le risque d'incendie, de choc électrique ou de blessures.
- Assurez-vous que l'installation et le service sont appropriés. Cet appareil doit être correctement installé et mis à la terre par un technicien qualifié.
- Le service de garantie doit être effectué par un centre de service Wolf certifié par l'usine.
- Le travail d'installation et le câblage électrique doivent être effectués par une (des) personne(s) qualifiée(s) conformément à tous les codes et normes applicables, y compris ceux concernant la construction à indice de résistance au feu.

▲ AVERTISSEMENT

EN VUE DE RÉDUIRE LE RISQUE D'INCENDIE, DE CHOC ÉLECTRIQUE OU DE BLESSURES, RESPECTEZ LES DIRECTIVES SUIVANTES :

- a) Utilisez cette unité uniquement de la façon prévue par le fabricant. Si vous avez des questions, communiquez avec le fabricant.
- b) Avant de réparer ou de nettoyer l'unité, débranchez-la ou coupez le courant sur le panneau de commande et verrouillez les moyens de débrancher le service pour empêcher le courant d'être remis en marche accidentellement. Lorsque les moyens de débrancher le service ne peuvent pas être verrouillés, fixez un dispositif d'avertissement bien en vue, comme une étiquette, au panneau de service.

PRÉCAUTIONS DE SÉCURITÉ GÉNÉRALE

- Il faut suffisamment d'air pour la combustion appropriée et l'évacuation des gaz par la sortie (cheminée) de l'équipement de chauffage au mazout pour éviter le refoulement de l'air.
- Suivez les directives du fabricant de l'équipement de chauffage et les normes de sécurité comme celles publiées par la National Fire Protection Association (NFPA ou association nationale de protection contre les incendies), l'American Society for Heating, Refrigeration and Air Conditioning Engineers (ASHRAE ou société américaine des ingénieurs de chauffage, réfrigération et climatisation) et les autorités locales concernant les codes.

▲ MISE EN GARDE

Pour ventilation générale seulement. N'utilisez pas pour évacuer des matières et des vapeurs dangereuses ou explosives.

- Les ventilateurs à enveloppe doivent toujours être ventilés vers l'extérieur.
- En vue de réduire le risque d'incendie, utilisez seulement des gaines en acier.

▲ MISE EN GARDE

En vue de réduire le risque d'incendie et correctement évacuer l'air, assurez-vous d'acheminer l'air vers l'extérieur. Ne ventilez pas l'évacuation dans des espaces entre des murs ou des plafonds, ou dans des greniers, des galeries, ou des garages.

DIRECTIVES IMPORTANTES

PRÉCAUTIONS DE SÉCURITÉ GÉNÉRALE

- Ne réparez pas et ne remplacez pas cet appareil à moins que cela ne soit spécifiquement recommandé dans ce guide. Tout autre service doit être effectué par un technicien qualifié.
- Pour éviter d'endommager le roulement-moteur ou de déséquilibrer les rotors, gardez la pulvérisation de cloison sèche, la poussière de construction, etc. loin de l'unité électrique.
- Lorsque vous coupez ou percez dans un mur ou un plafond, n'endommagez pas les fils électriques ou d'autres services publics cachés.
- Veuillez lire l'étiquette de spécification sur la hotte de ventilation pour obtenir de plus amples renseignements et connaître les exigences.

▲ AVERTISSEMENT

EN VUE DE RÉDUIRE LE RISQUE D'UN INCENDIE DE GRAISSE SUR UN DESSUS DE CUISINIÈRE :

- a) Ne laissez jamais les unités de surface sans surveillance lorsque les réglages sont élevés. Les débordements par bouillonnement causent de la fumée et des renversements graisseux qui peuvent s'enflammer. Chauffez les huiles lentement à feu doux ou moyen.
- b) Mettez toujours la hotte EN MARCHÉ lorsque vous cuisinez à feu vif ou lorsque vous flambez des aliments (comme des crêpes Suzette, des cerises jubilé, du bœuf au poivre flambé).
- c) Nettoyez les éventails de ventilation fréquemment. Ne laissez pas de la graisse s'accumuler sur le ventilateur ou le filtre.
- d) Utilisez une poêle de taille appropriée. Utilisez toujours un ustensile de cuisson approprié pour la taille de l'élément en surface.

▲ AVERTISSEMENT

AFIN DE RÉDUIRE LE RISQUE DE BLESSURES EN CAS D'INCENDIE DE GRAISSE SUR UN DESSUS DE CUISINIÈRE, RESPECTEZ LES DIRECTIVES SUIVANTES* :

- a) **ÉTOUFFEZ LES FLAMMES** avec un couvercle bien ajusté, une tôle à biscuits ou un plateau métallique, puis éteignez le brûleur. **FAITES ATTENTION DE NE PAS VOUS BRÛLER.** Si les flammes ne s'éteignent pas immédiatement, **ÉVACUEZ ET APPELEZ LES POMPIERS.**
- b) **NE RAMASSEZ JAMAIS UNE POÊLE EN FEU**— vous risqueriez de vous brûler.
- c) **N'UTILISEZ PAS DE L'EAU**, y compris des serviettes et des linges à vaisselle mouillés— cela causerait une violente explosion de vapeur.
- d) Utilisez un extincteur **SEULEMENT** si :
 - 1) Vous savez que vous avez un extincteur de classe ABC et vous savez déjà comment l'utiliser.
 - 2) Le feu est petit et contenu dans la zone où il a commencé.
 - 3) Les pompiers ont été appelés.
 - 4) Vous pouvez lutter contre le feu en gardant votre dos vers une sortie.

* Selon les « Conseils de sécurité-incendie pour la cuisine » publiés par la NFPA.

▲ AVERTISSEMENT

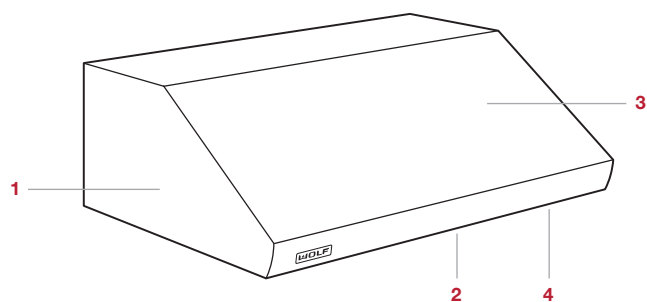
PROPOSITION 65 POUR RESIDENTS DE LA CALIFORNIE

Cancer et Troubles de l'appareil reproducteur—
www.P65Warnings.ca.gov

Caractéristiques de la hotte murale pour l'extérieur

CARACTÉRISTIQUES

1	Plaque signalétique du produit (dans la coquille de la hotte)
2	Commandes
3	Filtres
4	Éclairage halogène



Hotte murale pour l'extérieur

Commandes de la hotte

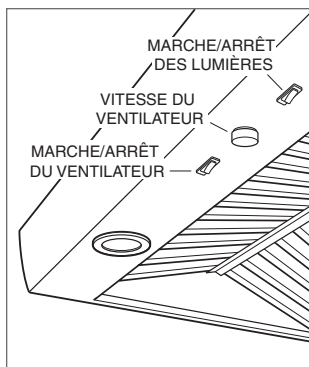
Les commandes de la hotte murale pour l'extérieur se trouvent sur le rebord avant de la hotte. Reportez-vous à l'illustration ci-dessous.

LUMIÈRES

Utilisez l'interrupteur MARCHE/ARRÊT situé à la droite pour allumer ou éteindre les lumières halogènes.

VENTILATEUR

Deux commandes contrôlent le ventilateur. Utilisez l'interrupteur MARCHE/ARRÊT situé à la gauche pour allumer ou éteindre le ventilateur. Lorsque le ventilateur est en marche, l'interrupteur devient rouge et le bouton de contrôle de la vitesse actionne le ventilateur avec un contrôle infini de la vitesse du ventilateur. Tournez le bouton de contrôle dans le sens horaire pour augmenter la vitesse du ventilateur et dans le sens antihoraire pour en réduire la vitesse.



Commandes de la hotte

Sentinelle de chaleur

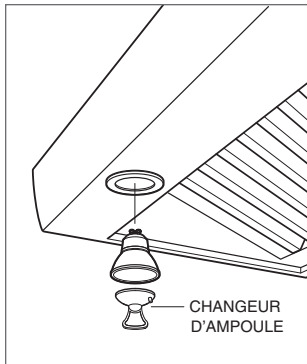
La fonction sentinelle de chaleur met automatiquement le ventilateur en marche ou augmente sa vitesse lorsque la température d'évacuation dépasse 200 °F (95 °C). Elle remet automatiquement la vitesse du ventilateur au réglage précédent lorsque la température tombe en dessous de 186 °F (85 °C).

Éclairage

AMPOULES

La hotte murale pour l'extérieur nécessite des ampoules halogènes GU10 de 50W, 120V, offertes par les concessionnaires Wolf autorisés. Pour obtenir des renseignements sur le dépositaire local, visitez la section salle d'exposition de notre site Web, wolfappliance.com.

Un changeur d'ampoule de style à ventouse est fourni avec la hotte. Pour retirer une ampoule, utilisez le changeur pour tourner l'ampoule dans le sens horaire d'un quart de tour. Reportez-vous à l'illustration ci-dessous.



Remplacement d'une ampoule

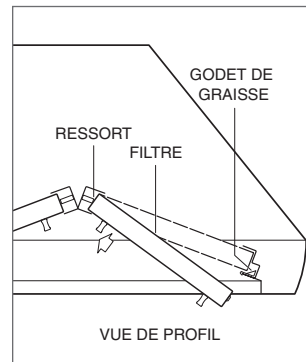
Retrait des filtres

Les filtres à graisse peuvent être lavés dans le lave-vaisselle. Reportez-vous aux conseils d'entretien la page suivante.

Retirez le filtre du centre en premier. Pour le retirer, poussez-le vers le haut, puis tournez la partie inférieure vers le bas. Reportez-vous à l'illustration ci-dessous. Retirez les godets de graisse du rebord inférieur de la hotte. Vous devez porter des gants pour manipuler les filtres.

Réinstallez les filtres en suivant la procédure inverse. Poussez les filtres extérieurs légèrement pour réinstaller le filtre du centre.

REMARQUE IMPORTANTE : Ne faites pas fonctionner la hotte de ventilation sans les filtres. Cela risque d'endommager le ventilateur ou les autres composants internes de la hotte.



Filtres

Conseils d'entretien

NETTOYAGE

Acier inoxydable	Utilisez un nettoyant non abrasif pour l'acier inoxydable et appliquez-le avec un chiffon doux non pelucheux. Pour faire ressortir le lustre naturel, essuyez légèrement la surface avec un chiffon en microfibras humecté d'eau suivi d'un chamois à polir sec. Suivez toujours le grain de l'acier inoxydable.
Boutons de commande	Avec un chiffon humide, essuyez avec un détergent doux ou un dégraissant en aérosol. Rincez et séchez. REMARQUE IMPORTANTE : Ne pulvérisez pas les produits à nettoyer directement sur les boutons de contrôle.
Filtres Godets de graisse	Les filtres peuvent être lavés dans le lave-vaisselle et sont conçus pour être insérés dans la plupart de ces derniers. Essuyez les filtres et les godets de graisse pour éliminer l'excédent de graisse avant de les placer dans le lave-vaisselle.

Dépannage

FONCTIONNEMENT

La hotte de ventilation ne fonctionne pas.

- Assurez-vous qu'il y a du courant.
- Vérifiez l'alimentation électrique vers la hotte et que le disjoncteur de la résidence est en marche.

SERVICE

- Préservez la qualité intégrée dans votre produit en communiquant avec un centre de service Wolf certifié par l'usine. Pour obtenir le nom du centre de service Wolf certifié par l'usine le plus près, consultez la section Contact et assistance de notre site Web, wolfappliance.com ou appelez le service à la clientèle de Wolf au 800-222-7820.
- Avant d'appeler pour obtenir du service, ayez en main les numéros de modèle et de série de votre produit. Les deux numéros sont indiqués sur la plaque signalétique du produit, située sur la paroi gauche de la coquille de la hotte. Reportez-vous à la page 6 pour connaître l'emplacement de la plaque signalétique.
- Pour les besoins de la garantie, vous devrez aussi avoir la date d'installation et le nom de votre dépositaire Wolf autorisé. Ces renseignements doivent être notés à la page 3 de ce guide.

Garantie limitée résidentielle Wolf Appliance

POUR UTILISATION RÉSIDENIELLE

GARANTIE COMPLÈTE DE DEUX ANS*

Pendant deux ans à compter de la date d'installation originale, cette garantie de produit Wolf Appliance couvre toutes les pièces et la main d'œuvre pour réparer ou remplacer, selon un usage résidentiel normal, toute partie du produit qui s'avèrerait défectueuse en vertu des matériaux ou de la fabrication. Tout service fourni par Wolf Appliance en vertu de la garantie ci-dessus doit être effectué par un centre de service Wolf certifié par l'usine, à moins d'indication contraire de la part de Wolf Appliance, Inc. Le service sera fourni pendant les heures normales d'affaires.

GARANTIE LIMITÉE DE CINQ ANS

Pendant cinq ans à compter de la date originale d'installation, Wolf Appliance réparera les pièces suivantes qui s'avèreront défectueuses en vertu des matériaux ou de la fabrication : les brûleurs au gaz (sauf l'apparence), les éléments de chauffage électrique, les moteurs de soufflerie (hottes de ventilation), les circuits de contrôle électronique, les tubes magnétrons et les génératrices à induction. Si le propriétaire utilise le service Wolf certifié par l'usine, le fournisseur de service réparera ou remplacera ces pièces et le propriétaire paiera pour tous les autres frais, y compris la main d'œuvre. Si le propriétaire utilise un service non certifié, il doit communiquer avec Wolf Appliance, Inc. (avec les renseignements ci-dessous) pour obtenir des pièces réparées ou de rechange. Wolf Appliance ne remboursera pas le propriétaire pour les pièces achetées d'un service non certifié ou d'autres sources.

CONDITIONS S'APPLIQUANT À CHAQUE GARANTIE

La garantie s'applique uniquement aux produits installés pour un usage résidentiel normal. La garantie s'applique seulement aux produits installés dans l'un des cinquante états des États-Unis, dans le District of Columbia ou les dix provinces du Canada. Cette garantie ne couvre pas les pièces ou la main d'œuvre pour corriger tout défaut causé par de la négligence, un accident ou une utilisation, un entretien, une installation, un service ou une réparation inappropriés.

LES REMÈDES DÉCRITS CI-DESSUS POUR CHAQUE GARANTIE SONT LES SEULS QUI SONT OFFERTS PAR WOLF APPLIANCE, INC. EN VERTU DE CETTE GARANTIE OU EN VERTU DE TOUTE GARANTIE DÉCOULANT DE L'OPÉRATION DE LA LOI. WOLF APPLIANCE, INC. NE SERA PAS RESPONSABLE DES DOMMAGES INDIRECTS OU CONSÉCUTIFS DÉCOULANT DE LA VIOLATION À CETTE GARANTIE OU À TOUTE GARANTIE, EXPRESSE, IMPLICITE OU LÉGALE.

Certaines provinces ne permettent pas l'exclusion ou la restriction des dommages indirects ou consécutifs, par conséquent, la limite ou l'exclusion ci-dessus peut ne pas s'appliquer à votre cas. Cette garantie vous confère des droits légaux précis et vous pouvez aussi avoir d'autres droits légaux qui peuvent varier d'une province à l'autre.

Pour obtenir des pièces et/ou du service et le nom du centre de service Wolf certifié par l'usine le plus près de chez vous, communiquez avec Wolf Appliance, Inc., P.O. Box 44848, Madison, WI 53744 É.-U.; consultez la section Contact et assistance de notre site Web, wolfappliance.com, envoyez-nous un courriel à customerservice@subzero.com ou composez le 800-222-7820.

*L'acier inoxydable (les portes, les panneaux, les poignées, les cadres et les surfaces intérieures) est couvert par une garantie limitée de 60 jours sur les pièces et la main d'œuvre pour toute défectuosité cosmétique.

*Les filtres de rechange pour les trousse de remise en circulation de hotte de ventilation ne sont pas couverts par la garantie du produit.





WOLF APPLIANCE, INC. P.O. BOX 44848 MADISON, WI 53744 WOLFAPPLIANCE.COM 800.222.7820

828515 REV-A

11/2018

