

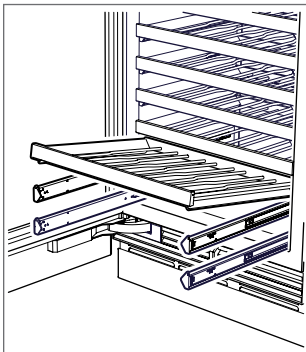
CONTENTS

1	Drawer, bulk storage
2	Slide, full extension
8	Plug, plastic
8	Screw, #8 x 5/8"

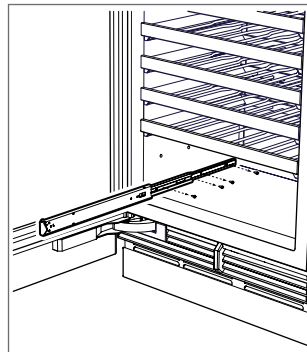
Models IW-18, IW-24, IW-30 and BW-30 will accommodate a maximum 2 bulk storage drawers. The drawer(s) must be installed in the lowest (or third lowest) rack position(s). Model IW-30R will accommodate one bulk storage drawer and must be installed in the lowest position only.

INSTALLATION

- 1 Remove the bottom two wine racks. To remove, pull rack out to full extension, tilt up, then lift up and out.
- 2 Remove the bottom four slides. To remove, pull slides out then remove 4 screws from each slide.

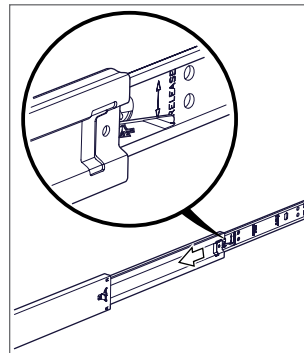


Wine rack removal

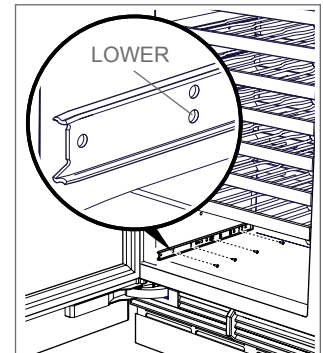


Slide removal

- 3 Remove new bulk storage slides from packaging. The slides are hinge side and handle side specific. Refer to the sticker on each slide to properly identify its location.
- 4 Pull slide out to full extension then press the release tab to disengage the slide mount from the assembly. Install the slide mount using the #8 x 5/8" screws provided. Screws must be installed in the lower mounting holes. Use a low torque setting when using a power drill.

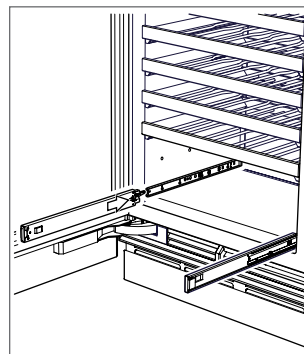


Disassemble slide assembly

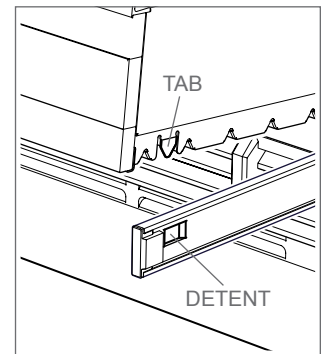


Install slide mount

- 5 Once mounts have been installed, reinstall slides onto mounts. Insert plastic plugs in the unused holes.
- 6 Pull slides out to full extension then place the back of the bulk storage drawer onto the slides then lower the front into position. Verify the front tabs have engaged the slide detents.



Reassemble slide assembly



Install the bulk drawer

