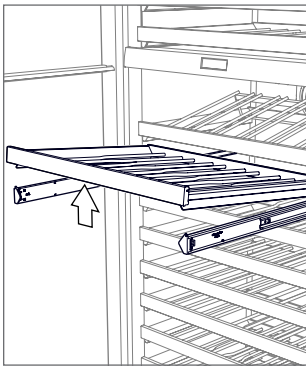


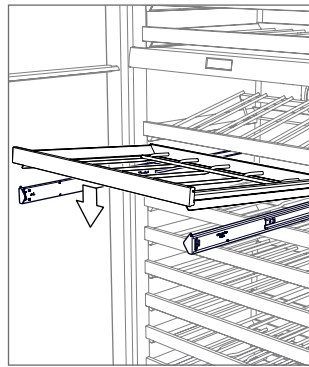
CONTENTS	
1	Rack
1	Humidor
1	Hygrometer
2	Package, 84 percent humidity
12	Package, 72 percent humidity

INSTALLATION

- 1 Determine the desired location of the humidor and remove the existing wine rack. To remove, pull out to full extension, tilt up, then lift up and out.
- 2 To install the humidor rack, place the back of the rack into the slides then rotate the front down until it engages the slides.

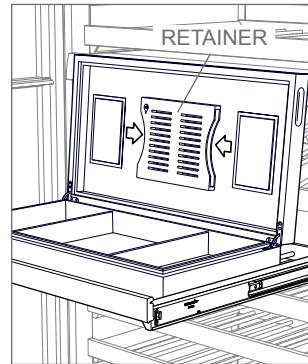


Remove wine rack




Install humidor rack

- 3 Remove humidor from packaging then place it on the humidor rack between the front and rear retainer wires.
- 4 Remove hygrometer from box and place inside the humidor.
- 5 Remove the two 84% humidity packages from the box and place inside the retainer. Position the humidor dividers as needed, then close the lid.



Install humidity packages

- 6 After 14 days, remove and replace the 84% humidity packages with two 72% humidity packages. Replace the 72% humidity packages every 2 months to maintain a consistent humidity level.
- 7 Models IW-18, IW-24, IW-30 and IW-30R include a humidity package replacement reminder (not available on model BW-30). To activate the reminder, press  on the display panel. The reminder will appear after two months. Select "Snooze" to delay the reminder for two weeks, if desired.

NOTICE: Removing the humidor from the wine unit will not maintain the appropriate humidity and may cause the humidor to warp.

