

Contents

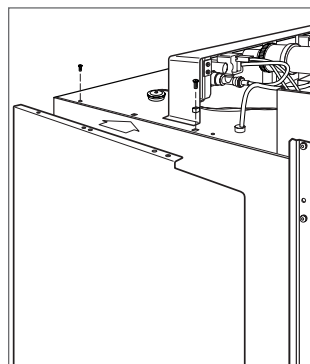
Qty	Description
1	Heater
1	Grommet, plastic
2	Screw, #8–18 x 5/8"
2	Trim, edge guard
1	Plug, 4-pin
2	Tape, black
1	Bracket, top
8	Clip, center
8	Screw, #8 x 1/2"
1	Trim, center
1	Instructions

- Place leads from heater into the correct pin position on connector. Pin position is dependent on the model being installed. Refer to pin placement illustration and chart below. Place excess wire into opening or secure to the side of the unit with tape provided.
- Install tape to the front edge of the heater to prevent interference when second unit is installed. Refer to the illustration below.
- Install unit into the right side of the opening, then install the left.

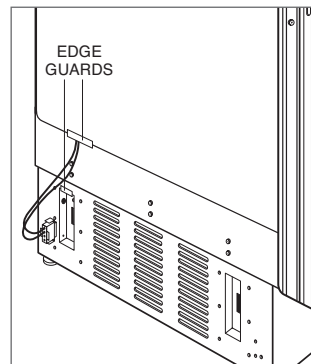
Heater Installation

- Insert a plastic grommet in the front square hole along the top edge of the unit, then tap into position.
- Remove the paper backing from the tape on the back of the heater.
- Place heater panel on the left side of the unit being installed on the right, insert two screws along the top edge, then press firmly to secure. See illustration below.
- Install edge guard along the upper edge of the opening and bottom of the heater panel where wires pass. Edge guard must be trimmed to fit.

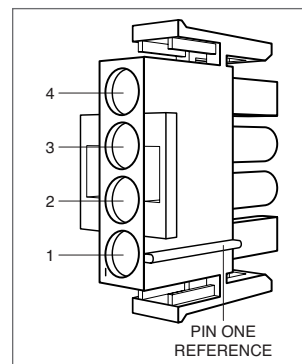
Model	Wire Placement
All Refrigerator, Wine (Single Door)	2, 4
All Freezer, Combination and Wine (Door and Drawers)	1, 2



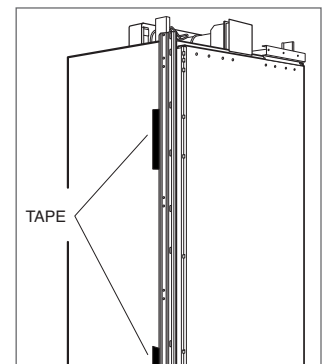
Heater placement.



Electrical connection.



Pin placement.



Secure heater.

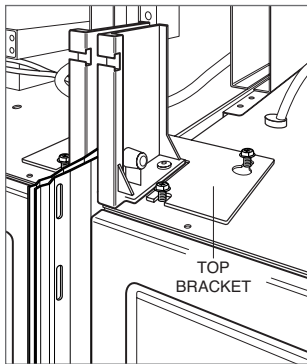
Bracket Installation

Loosen the two screws on the top handle side of each unit. Slide the top bracket under the four screw heads, then tighten screws. Refer to the illustration below.

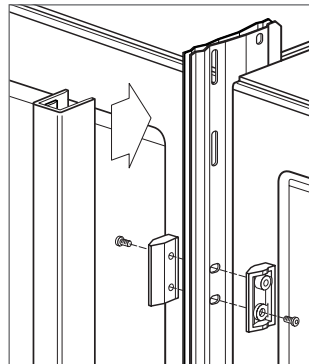
Center Trim Installation

Secure handle side trim using the four sets of clips and screws provided. Refer to the illustration below. If using a power drill, set to lowest torque setting to ensure screws do not strip out inside clips.

Align center trim with clips, verify the top of the trim is aligned with the top of the opening, then press into position.



Bracket installation.



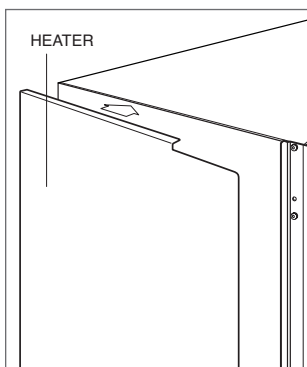
Clip installation.

Contents

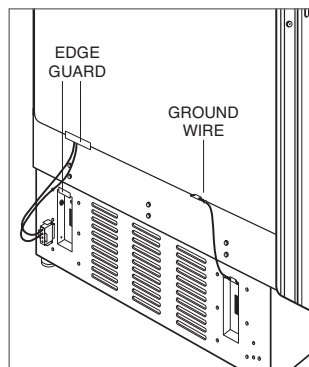
Qty	Description
1	Heater
2	Trim, edge guard
1	Plug, 4-pin
1	Tape, black
4	Clip, center
4	Screw, #8 x 1/2"
1	Trim, center
1	Wire, ground
2	Bracket, center
1	Instructions

Heater Installation

- 1) Remove paper backing from tape on the back of the heater panel.
- 2) Place heater on the left side of the unit being installed on the right. Align heater with the top of the unit, then press firmly to secure. See illustration below.
- 3) Install edge guard along the upper edge of the opening and bottom of the heater panel where wires pass. Edge guard must be trimmed to fit.
- 4) Clip ground wire to the opening and heater panel. See illustration below.



Heater placement.



Electrical connection.

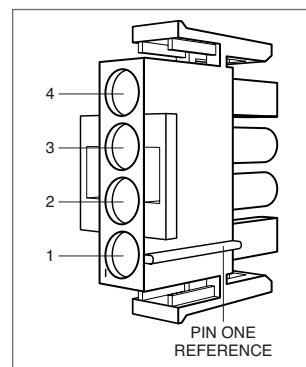
- 5) Place leads from heater into the correct pin position on connector. Pin position is dependent on the model being installed. Refer to pin placement illustration and chart below. Place excess wire into opening or secure to the side of the unit with tape provided.
- 6) Install tape to the front edge of the heater to prevent interference when second unit is installed.
- 7) Install unit into the right side of the opening, then install the left.

Model	Wire Placement
All Refrigerator	2, 4
All Freezer, Combination	1, 2

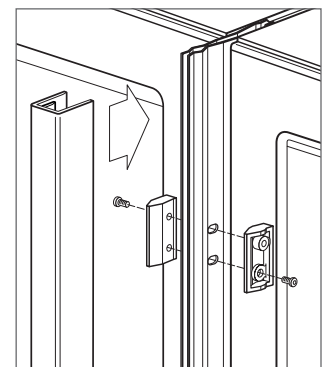
Center Trim Installation

Remove existing center trim from each unit and install the two center brackets, provided. Secure side trim using the two sets of clips and screws provided. Refer to the illustration below. If using a power drill, set to lowest torque setting to ensure screws do not strip out inside clips.

Align center trim with clips, verify the top of the trim is aligned with the top of the opening, then press into position.



Pin placement.



Clip installation.

