

# Extended Handles

(7003462, 7003463, 7003464, 7003465)

## CONTAINS:

<u>QTY</u>	<u>DESCRIPTION</u>
1 / 2	Door Handle Assembly (in 7003462, 7003463, 7003464 / 7003465)
1	Drawer Handle Assembly (in 7003463, 7003464)
1	Instruction Sheet (in All)

## DOOR HANDLE PROCEDURE:

### **1. Remove the Screw Cover from the Handle**

At the top of the door, insert a flat blade screwdriver into channel of the screw cover and push the cover away from the handle so that it disengages from the handle (See Figure 1).

### **2. Remove the Existing Handle from the Door**

With a T-20, 6-lobe Torx type bit, extract the handle mounting screws and pull the handle from the door (See Figure 2).

### **3. Install the Extended Handle on the Door**

Place the extended handle against the side of the door, then use a T-20, 6-lobe Torx type bit to insert the handle mounting screws and secure the handle to the door (See Figure 3).

### **4. Reinstall the Screw Cover**

Line up the the screw cover with the handle and push it toward the handle so that it engages the handle clips, working it into position from bottom to top, or top to bottom (See Figure 4).

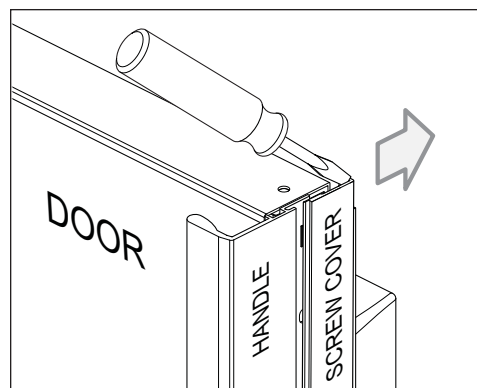


Figure 1. Screw Cover Removal

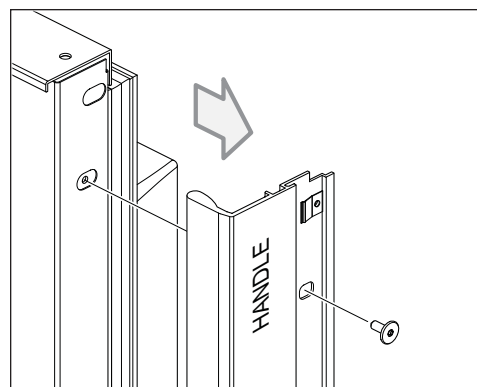


Figure 2. Handle Removal

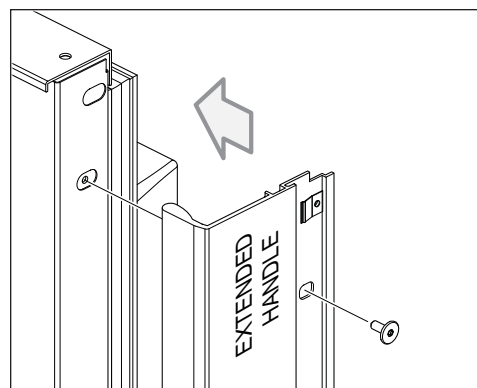


Figure 3. Handle Installation

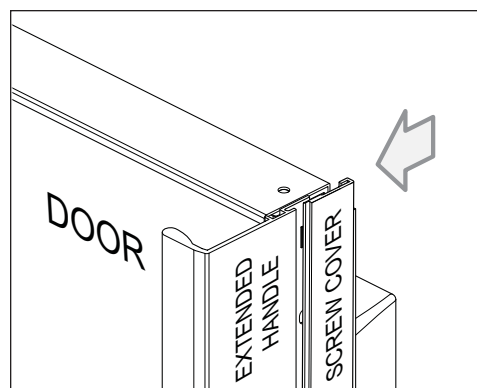


Figure 4. Screw Cover Installation



# Extended Handles

(7003462, 7003463, 7003464, 7003465)

## DRAWER HANDLE PROCEDURE:

### **1. Remove the Screw Cover from the Handle**

At the back right-hand side of the drawer handle, insert a flat blade screwdriver into the notch in the screw cover and pry the cover away from the handle (See Figure 5).

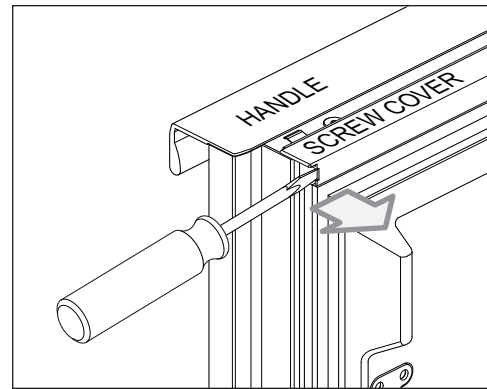


Figure 5. Screw Cover Removal

### **2. Remove the Existing Handle from the Drawer**

With a T-20, 6-lobe Torx type bit, extract the handle mounting screws and pull the handle from the drawer (See Figure 6).

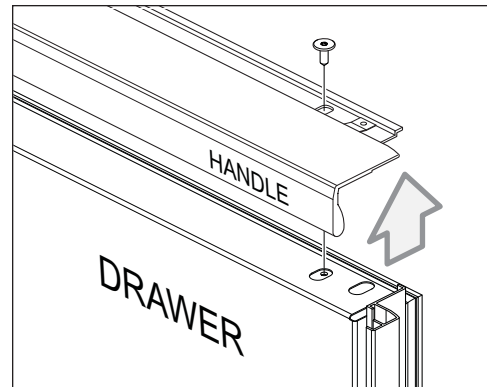


Figure 6. Handle Removal

### **3. Install the Extended Handle on the Drawer**

Place the extended handle against the top of the drawer, then use a T-20, 6-lobe Torx type bit to insert the handle mounting screws and secure the handle to the drawer (See Figure 7).

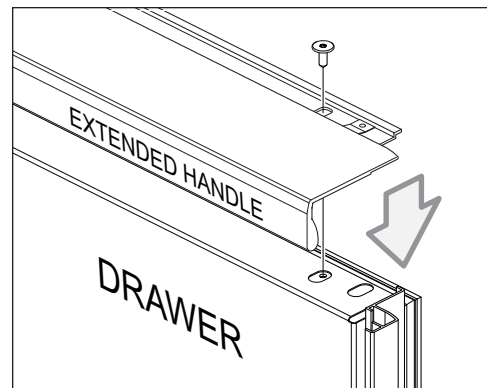


Figure 7. Handle Installation

### **4. Reinstall the Screw Cover**

Line up the the screw cover with the handle and push it toward the handle so that it engages the handle clips, working it into position from left to right, or right to left (See Figure 8).

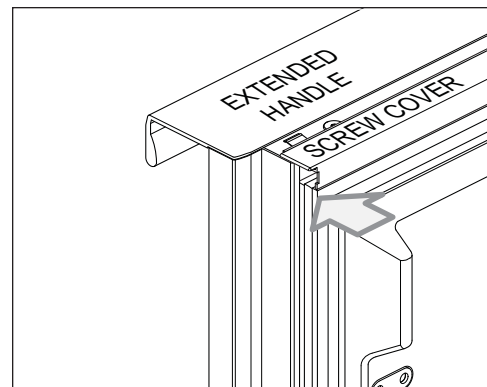


Figure 8. Screw Cover Installation

