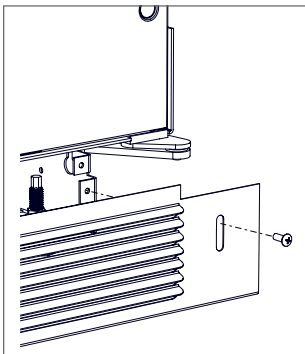


Contents

KICKPLATE INSTALLATION	
1	Kickplate
2	Screw, #10-12 x 5/8 (silver kickplate only)
1	Instructions

Installation

- 1 Use the original black kickplate screws provided with the unit to install a black kickplate. Use the silver screws provided to install a silver or stainless kickplate.



Install Kickplate

