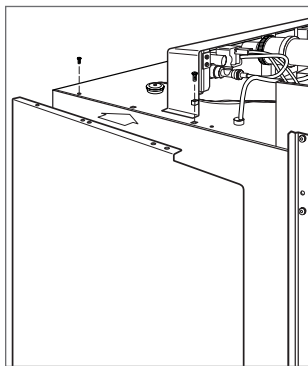


CONTENTS	
1	Heater
1	Grommet, plastic
2	Screw, #8-18 x 5/8"
2	Trim, edge guard
1	Plug, 4-pin
2	Tape, black
2	Bracket, mounting hinge-top
1	Bracket, mounting bottom
2	Screw, #10 x 1/2"
2	Screw, 1/4"-20 x 1/2"
2	Screw, #10-24 x 1/2"
1	Trim, center
2	Screw, #10 x 3/4" self drilling
2	Screw, #8-32 x 1/2"
1	Instructions

### HEATER INSTALLATION

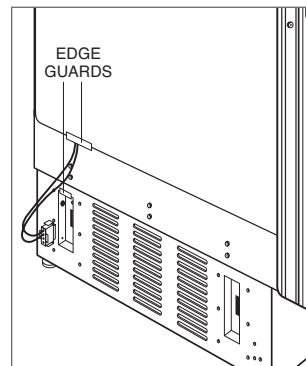
- 1 Insert a plastic grommet in the front square hole along the top edge of the unit, then tap into position.
- 2 Remove the paper backing from the tape on the back of the heater.
- 3 Place heater panel on the left side of the unit being installed on the right, insert two screws along the top edge, then press firmly to secure. Refer to the illustration below.



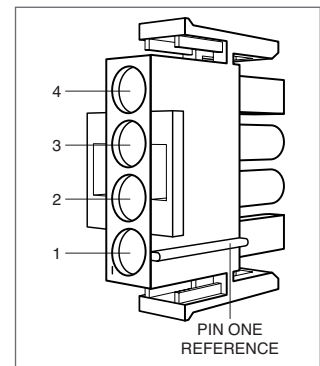
Heater placement.

- 4 Install edge guard along the upper edge of the opening and bottom of the heater panel where wires pass. Edge guard must be trimmed to fit.
- 5 Place leads from heater into the correct pin position on connector. Pin position is dependent on the model being installed. Refer to pin placement illustration and chart below. Place excess wire into opening or secure to the side of the unit with tape provided.

MODEL	WIRE PLACEMENT
All Refrigerator, Wine (Single Door)	2, 4
All Freezer, Combination and Wine (Door and Drawers)	1, 2



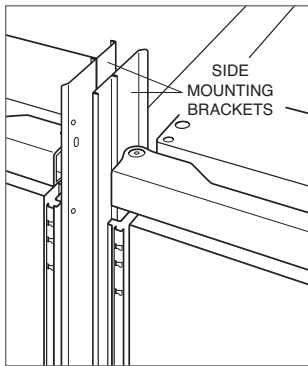
Electrical connection.



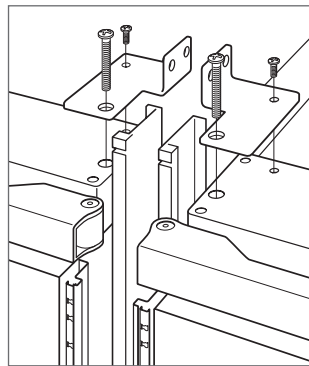
Pin placement.



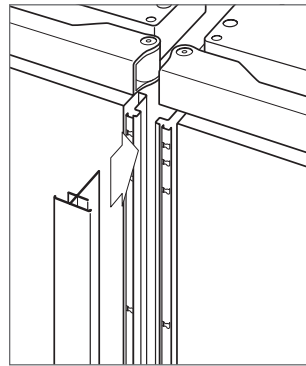
- 6 Remove the existing side mounting brackets from the center of each unit. Refer to the illustrations below.
- 7 Once the brackets are removed, install tape to the front edge of the heater to prevent interference when second unit is installed. Refer to the illustration below.
- 8 Install the top brackets using the existing hinge screws and two #10 x 1/2" screws. Refer to the illustration below.
- 9 Once the top brackets are secure, install unit into the right side of the opening, then install the left.
- 10 With both units in the opening, use two 1/4" -20 x 1/2" screws to secure the top brackets together.
- 11 Verify the top of the trim is aligned with the top of the opening, then press to install.
- 12 Slightly loosen the two bottom unit tray screws and insert the bottom bracket into position. Tighten each screw then install two #10 x 3/4" self drilling screws to secure the bracket.
- 13 Slightly loosen the two bottom unit tray screws. For 18" models, drill out rivet and replace with a #8-32 x 1/2" screw. Insert the bottom bracket into position. Tighten each screw then install two #10 x 5/8" self drilling screws to secure the bracket.



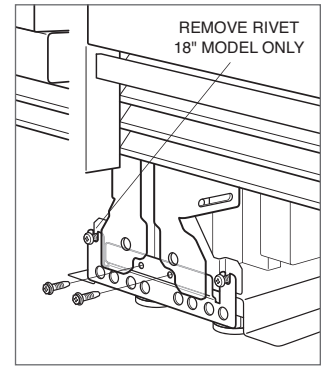
Side brackets.



Top brackets.



Center trim installation.



Bottom bracket.