

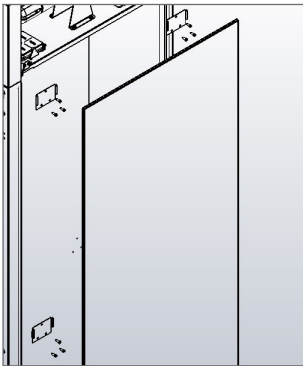
## CONTENTS

1	Assembly, panel
6	Bracket, mounting
18	Screw
1	Cover, base
2	Magnet

**Note:** A side panel should be installed prior to a top panel to ensure proper alignment, if applicable.

## PROFESSIONAL SIDE PANEL INSTALLATION

- 1 Install 6 mounting brackets on the side of the unit using the screws provided.



- 2 Place the side panel over the mounting brackets and push downward to secure.
- 3 Remove the paper backing from the magnets and secure them to the base cover.
- 4 Place the cover on the base support.

