

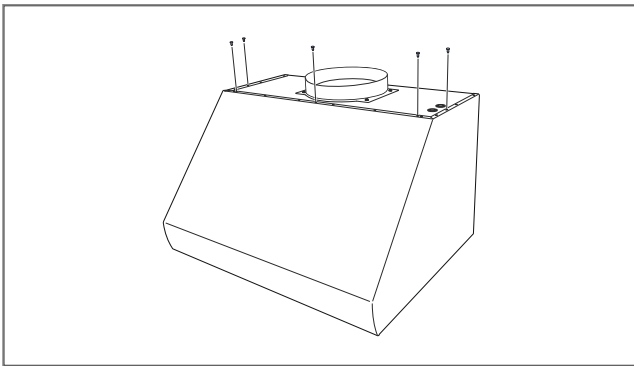


## CONTENTS

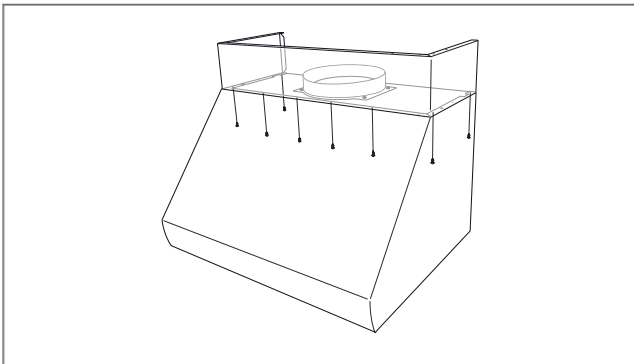
1	Cover, duct
8	Screw, #8 x 1/2"
6	Screw, #10 x 2"

## PRO WALL HOOD DUCT COVER INSTALLATION

- 1 Install the ventilation hood using the instructions provided with the hood.
- 2 For indoor hoods only, remove and discard the existing screws from the top of the hood.



- 3 Place the duct cover on the hood.
- 4 Loosely install eight #8 x 1/2" screws.



- 5 Verify the duct cover alignment, then tighten the screws.
- 6 If accessible, use the six additional screws to secure the top of the duct cover to an upper cabinet or soffit.

