



Pro Island Hood Duct Cover Installation

wolfappliance.com 800.222.7820

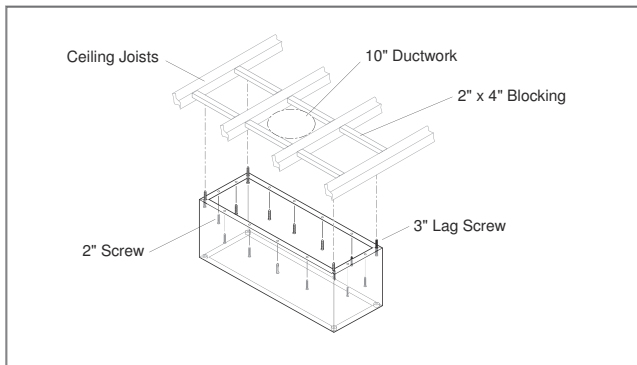
CONTENTS

1	Cover, duct
4	Bolt, 5/16" - 18 x 1 1/4"
22	Screw, #12 - 24 x 3/4"

Note: The duct cover must be structurally secured to the ceiling prior to installing the ventilation hood.

PRO ISLAND HOOD DUCT COVER INSTALLATION

- 1 Position the duct cover so the threaded inserts are facing downward.
- 2 Use the four 3" lag screws provided with the hood to secure the top of the duct cover to the ceiling structure.
- 3 If additional structure is available, use the 2" screws provided to secure the remainder of the duct cover to the ceiling structure.



- 4 Position the island hood under the duct cover and loosely install the four 1 1/4" bolts provide with the duct cover.

Note: Verify the electrical supply has been routed to the appropriate location on the hood prior to connecting duct work to the hood.

- 5 Verify the duct cover is aligned with the hood, then tighten all four bolts.

- 6 Use the 3/4" screws provided to secure the remainder of the hood to the duct cover.

