





Knob Installation

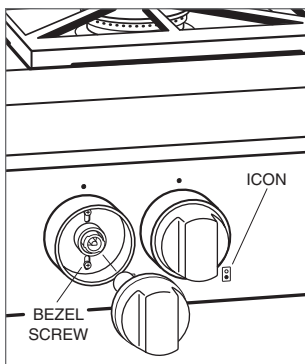
IMPORTANT NOTE: Depending on the model, additional knobs may be included with this kit but not utilized.

- 1) Remove knobs from packaging and discard packaging material. Using the chart as reference, identify the icon etched next to each bezel to determine the correct placement of each knob. For dual fuel ranges, refer to the illustration below for oven selector knob placement. Once proper placement has been determined, discard any additional knobs.
- 2) If any of the knobs "stick" when pressed, remove the knob and slightly loosen the two bezel screws. Refer to the illustration below. Once the proper alignment has been achieved, tighten screws and reinstall knob.

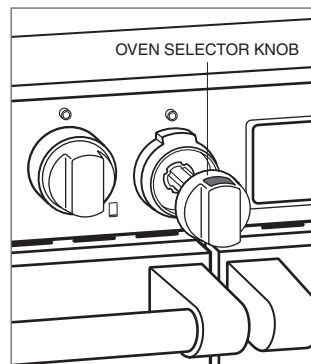
Icon	Text On Knob
	Hi-Low and Simmer Hi-Low
	100°F to 450°F
	Off and Hi
	Off and Hi

⚠ CAUTION

Do not place knobs or bezels in dishwasher. Do not soak or use abrasive cleaners. To clean, wipe with a damp cloth and mild detergent and water; rinse and dry.



Knob placement.



Oven selector knob.
(dual fuel range only)

