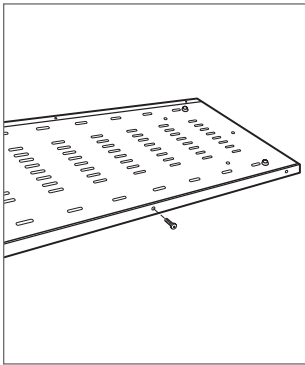


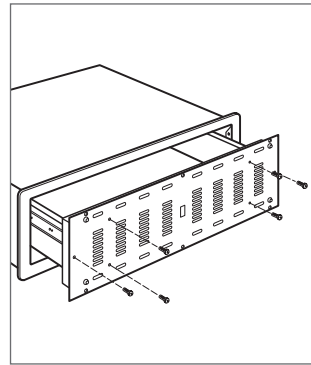
Front Panel Installation

INSTALL MOUNTING PANEL

Remove protective material from the front panel assembly. Place the assembly on a protected work surface then remove one screw from the bottom of the assembly. Refer to the illustrations below. Separate the mounting panel from the assembly then install the front mounting panel using six 8-32 x 3/8" hex head screws. Insert rubber bumpers, round side facing the warming drawer, onto the mounting panel.



Bottom screw removal.



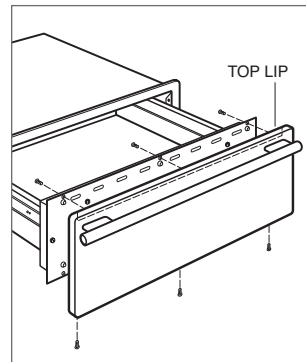
Mounting panel installation.

FRONT PANEL WITH STAINLESS HANDLE

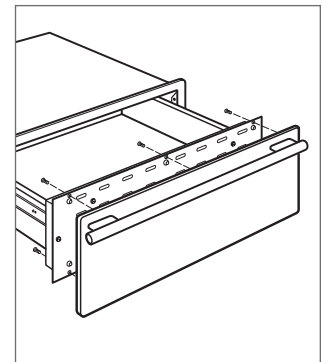
- 1 Slide the top lip of the front panel over the front mounting panel. Insert three 8-18 x 1/2" screws through the top rear of the front panel. Refer to the illustration below.
- 2 Insert the remaining three screws into the bottom of the front panel.

FRONT PANEL WITH BLACK HANDLE

- 1 Slide the side flanges of the front panel over the front mounting panel. Insert three 8-18 x 1/2" screws through the top rear of the front panel. Refer to the illustration below.
- 2 Insert the remaining three screws into the bottom rear of the front panel.



Front panel with stainless handle.



Front panel with black handle.

