



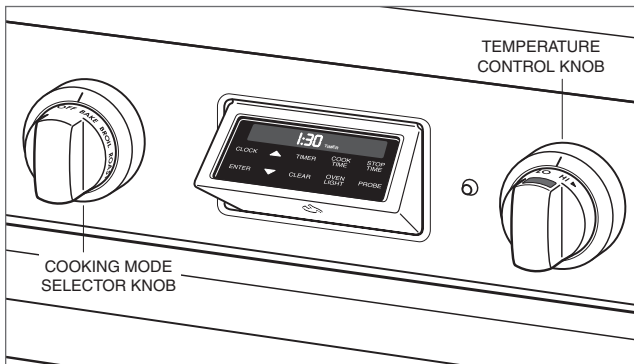
## CONTENTS

- |   |                        |
|---|------------------------|
| 1 | Knob, oven mode        |
| 1 | Knob, oven temperature |
| 2 | Clip, spring           |

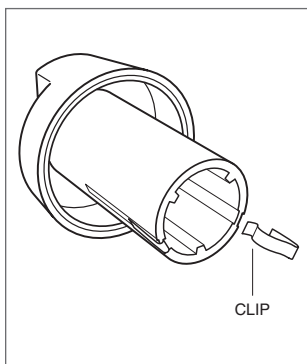
## INSTALLATION

Wolf induction ranges use a combination of a cooking mode selector knob and oven temperature control knob. Refer to the illustration below for proper placement.

If the spring clips become detached, refer to the illustration below for proper placement.



Control knob placement.



Spring clip placement.

