



GARDEN CHEF HERB GROWING CABINET

Viking 7 Series – GCV12

BRING THE GARDEN INTO YOUR KITCHEN

- Grow your own herbs and micro greens in your kitchen
- Saves up to 80% over store-bought greens
- Grow all organic greens for superior flavor and the best nutrition
- Grow in potting soil or various hydroponic media

FEATURES

- Accommodates two standard 10"x20" growing trays with propagation domes up to 4"
- Fully contained ecosystem is ideal for growing herbs and micro greens
- T5 Super Sprouter® fluorescent growing lights replicate the sun's rays; adjustable lighting cycles
- 3.25 gallon water reservoir with fully automated ebb and flow irrigation
- TDS and pH monitoring; dosing pump to regulate pH
- Fully programmable digital touch screen controls. Automated system provides correct measures of water, nutrients, relative humidity and lighting; includes a large seed menu so you can change seeds and set your favorites. Preprogrammed for most growing needs.
- Automatic filtered pump/aerator ebb and flow system delivers water and nutrients to the plants
- Autofill reservoir with 3/8" NPT fill and drain connections; water level sensor
- Cabinet temperature based on ambient conditions; circulation fans to regulate temperature and humidity.
- Compact, under-counter size
- Removable growing drawers on easy gliding rollers with drainage holes in rear for ebb and flow irrigation
- Double pane tempered glass window for easy viewing; integrated door gasket and full length door handle
- Double wall, stainless steel construction with 2.5" adjustable leveling bolts
- Two growing trays, two 4" high propagation domes and two mats are included
- Operates on just 120 volts, 1.6 amps



GCV12LSS (left hinge)

MODEL NUMBERS

- GCV12RSS - Right hinged door
- GCV12LSS - Left hinged door

ACCESSORIES

- Starter kit: includes two growing trays, two 4" propagation domes, two hydroponic growing mats, pH and TDS calibration solutions, measuring syringe, sifter, hydrogen peroxide and 20 gallon tub

WARRANTY

- 2-year full—complete product
- 90-day full—cosmetic parts such as glass, painted items and decorative items

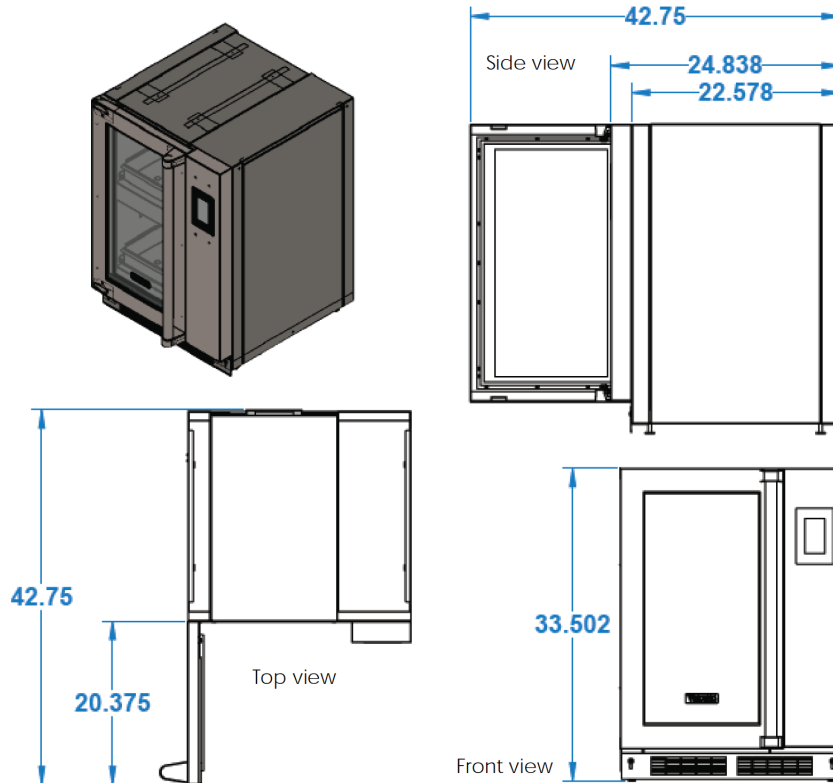


GARDEN CHEF HERB GROWING CABINET

Viking 7 Series – GCV12

GARDEN CHEF HERB GROWING CABINET	
DESCRIPTION	GCV12
Capacity	Two 10" x 20" growing trays with propagation domes up to 4" high
Growing Space	7" high per each tray
Overall Width	23 7/8" (607 mm)
Overall Height from Bottom	33 1/2" (851 mm)
Overall Depth from Rear	Rear to front of door - 24 7/8" (632 mm) Rear to front of door handle - 27 7/16 (696 mm)
Electrical Requirements	Operates on 120 volts, 1.6 Amps, 60 Hz; electrical conjunction box on product for hard wire connection; optional power cord kit with 6' power cord with a NEMA 5-15P molded plug cap, cord grip and wire nuts
Plumbing Requirements	3/8" NPT drain and fill connections; incoming water must be potable; filtered water recommended, especially in areas where water is very hard or very soft. Unit to be installed with adequate backflow protection to comply with all applicable federal, state and local codes
Approximate Shipping Weight	150 lbs (68kg)

Please do not prepare installation from brochure data only. See installation instructions for important clearance/installation information.



VIKING RANGE, LLC 111 FRONT STREET GREENWOOD, MISSISSIPPI 38930 USA

For detailed product information, model numbers, or to request a quote call 1-888-845-4641 or visit vikingrange.com
© 2019 Viking Range, LLC All rights reserved. Specifications subject to change without notice.