

MDD30PE/S/PH

FEATURES

Distributes heat evenly with no hot or cold spots allowing for oven-like operation

Installs standard or flush to conceal the oven from view

Matches E series ovens, coffee systems, convection steam oven

Utilizes 900 watts of power to cook meals with delicious results

Select from 10 power levels, a warming mode, and sensor cooking

Rely on quick-start controls for tasks like melting, softening, defrosting, and popcorn

Let the microwave do the cooking with intuitive "gourmet mode" settings

Install into surrounding cabinetry to coordinate with other Wolf built-in ovens and warming drawers

ACCESSORIES

Side Trim

Accessories available through an authorized dealer.

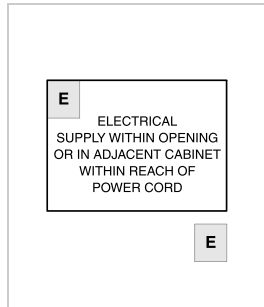
For local dealer information, visit subzero-wolf.com/locator.



PRODUCT SPECIFICATIONS

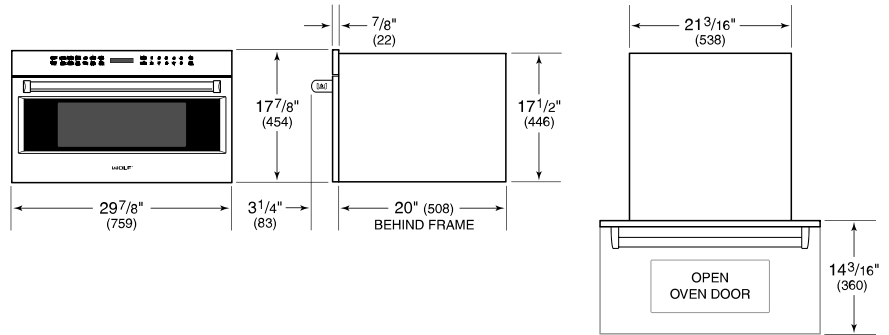
Model	MDD30PE/S/PH
Dimensions	29 7/8"W x 17 7/8"H x 20"D
Capacity	1.6 cu. ft.
Door Clearance	14 3/16"
Electrical Supply	120 VAC, 60 Hz
Electrical Service	15 amp dedicated circuit
Power Cord Length	4 Feet
Receptacle	3-prong grounding-type

ELECTRICAL

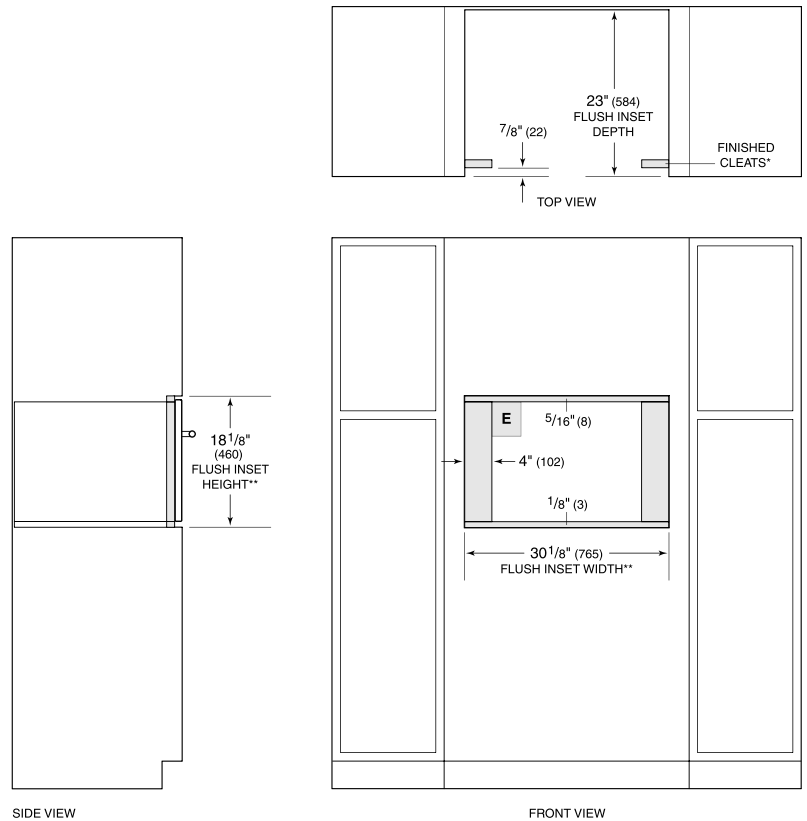


NOTE: Dimensions in parenthesis are in millimeters unless otherwise specified

DIMENSIONS



FLUSH INSTALLATION



*Will be visible and should be finished to match cabinetry.
 **Dimension provides minimum reveals.