

# DISHWASHER

## FDW302 – 24"W. DISHWASHER

## FDW302WS – 24"W. DISHWASHER WITH WATER SOFTENER



### Multi-Level Washing

- Variable pressure wash adjusts water volume, pressure, and temperature according to load size and soil levels
- Multi-level washing with three spray arms ensures clean dishes
- Turbidity sensor monitors the soil level of the dishes for superior quality
- Triple filtration system removes the smallest particles for clean water circulation
- Flow-through water heater is concealed to provide a safer alternative to exposed heaters

### Turbo Fan Dry

- Fan circulates air for efficient drying performance

### Quiet Clean™ Performance Package – 45 dB

- Three layers of insulation – bitumen, cotton, and full side walls create one of the quietest dishwashers on the market

### Loading

- Industry-leading heavy gauge top and bottom dish baskets hold even the heaviest dishes
- Upper Smart Size™ Rack is designed to allow cleaning of cutlery while washing tall items simultaneously in upper rack
- Holds up to 14 international place settings along with silverware and cutlery
- Top rack is adjustable with or without dishes for versatile loading
- Adjustable stemware shelves can be used for holding ladles or other small utensils
- Foldable tines provide versatility for the loading of pots, pans, and uniquely sized items in top and bottom racks
- Bottom rack has six split, foldable tines with variable setting from flat to vertical
- Sliding cutlery basket can be moved horizontally to any position



24" Wide Dishwasher  
(Shown with custom panel)

### Exclusive Smart Size™ Rack

- Smart Size™ Rack allows room for tall items in upper basket and can be used simultaneously with lower rack
- Removable basket fits most standard drawers
- Take your utensils straight from your dishwasher to your drawer

### Built-In Water Softener (FDW302WS model)

- Reduces water hardness to a manageable level to prevent glasses and dishes from etching

### Cycles/Options

- Cycles
  - **Pots/Pans Plus** – Extra-heavy soil level
  - **Pots/Pans** – Heavy soil level
  - **Auto** – determines the amount of water and temperature needed
  - **CombiClean** – washes delicate items in upper basket and heavier soiled items in lower basket
  - **Regular Wash** – Normal soil level
  - **Crystal/China** – Less water pressure for – lightly soiled or fine china
  - **Quick Wash** – 35 Minutes!
  - **Rinse/Hold** – Pre-rinse dishes clean
- Options
  - **Half Load** – Energy saving function for use with partial loads
  - **Auto Tablet** – Sensor detects rinse aid and automatically sets drying cycle duration
  - **Delay Start** – Allows delayed activation for up to 24 hours
  - **Sanitize Function** – Raises water temperature in final rinse to meet NSF requirements
  - **High Gloss** – Provides superior drying performance
  - **Intense Wash** – Helps wash heavily soiled dishes
- LCD screen with remaining time indicator
- Cycle run floor indicator light
- LED interior light
- Energy Star Qualified

### Finishes

- Available in Custom Panel Model (no front)
- Optional Viking Professional Door Panel (PDDP242) available in Stainless Steel (SS), Black (BK), White (WH), Apple Red (AR), Burgundy (BU), Cobalt Blue (CB), Graphite Gray (GG)



### Warranty Highlights

- One-year full – complete product
- Ninety-day full – cosmetic parts such as glass, painted items, and decorative items
- Lifetime limited – tank and inner door
- Five-year limited – electronic controls, racks, motor/pump assemblies and water distribution system

# DISHWASHER

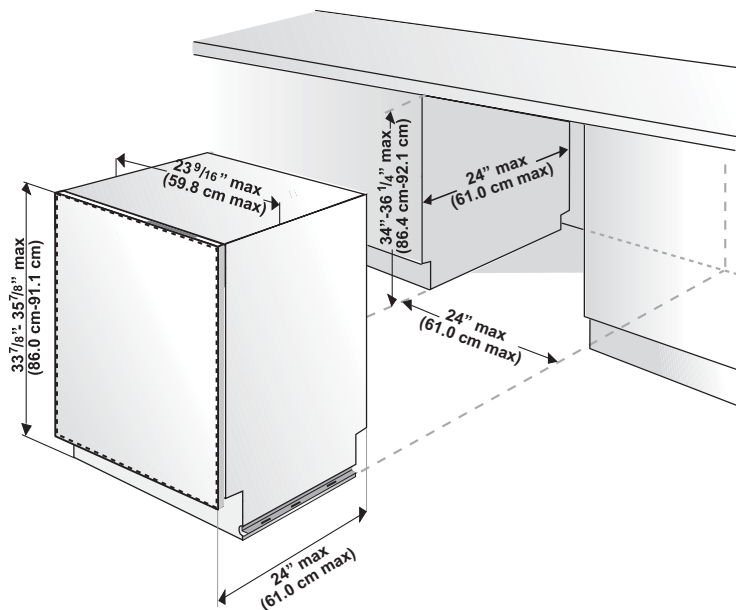
## FDW302 – 24"W. DISHWASHER

## FDW302WS – 24"W. DISHWASHER WITH WATER SOFTENER



24" W. 302 MODEL DISHWASHER	
DESCRIPTION	FDW302/FDW302WS
Overall Width	23-9/16" (59.8 cm)
Overall Height from Floor	33-7/8" (86.0 cm) minimum to 35 7/8" (91.1 cm) maximum
Overall Depth	To front of door panel: 22 3/16" (56.4 cm)
Cutout Width	24" (61.0 cm)
Cutout Height	34" (86.4 cm) minimum to 36" (91.4 cm) maximum
Cutout Depth	24" (61.0 cm)
Electrical Requirements	12.0 amps, 115V/60Hz; 4" (120cm) electrical cord with supplied with unit
Water-Heating Element Rating	1240 watts
Inlet Water Temperature	120°F (49°C) required
Drain Hose	6.4' (1.9m) drain hose provided
Drain Hose High Loop Required	Height from floor – 28" (71.0 cm)
Approximate Shipping Weight	97 lb. (44 kg)

Please do not prepare installation from brochure data only. See installation instructions for important clearance/installation information.



VIKING RANGE, LLC 111 FRONT STREET GREENWOOD, MISSISSIPPI 38930 USA

For detailed product information, model numbers, or to request a quote call 1-888-845-4641 or visit [vikingrange.com](http://vikingrange.com)  
 © 2016 Viking Range, LLC | Specifications subject to change without notice.

