



## 24"W. 324 MODEL DISHWASHER

Viking Select Dishwasher – VDWU324/FDWU324

### MULTI-LEVEL WASHING

- Multi-Level Washing
- Variable pressure wash adjusts water volume, pressure, and temperature according to load size and soil levels
- Multi-level washing with stainless steel bottom spray arm, upper spray arm and top nozzle ensures clean dishes
- Turbidity sensor monitors the soil level of the dishes for superior quality
- Triple filtration system removes the smallest particles for clean water circulation
- Flow-through water heater is concealed to provide a safer alternative to exposed heaters

### CONDENSATE QUICK DRY

- Moisture condensates on the cooler stainless steel tank and door and drains to the sump area
- Quick and efficient drying

### QUIET CLEAN™ PERFORMANCE PACKAGE - 45dB

- Three layers of insulation – bitumen, cotton, and full side walls create one of the quietest dishwashers on the market

### LOADING

- Accommodates 14 international place settings
- Industry-leading heavy gauge top and bottom dish baskets hold even the heaviest dishes
- Adjustable stemware shelves can be used for holding ladles or other small utensils
- Foldable tines provide versatility for the loading of pots, pans, and uniquely sized items in top and bottom racks
- Bottom rack has four and top rack has three split foldable tines with variable setting from flat to vertical
- Sliding cutlery basket can be moved horizontally to any position

### FEATURES

- LCD screen with remaining time indicator
- Touch button direct access control
- Cycle indicator light on floor
- Energy Star Qualified



### CYCLES/OPTIONS

- Cycles
  - Pots/Pans Plus – Extra-heavy soil level
  - China/Crystal
  - Regular Wash – Normal soil level
  - HourWash –
  - Quick Wash – 35 Minutes!
  - Rinse/Hold – Pre-rinse dishes clean
- Options
  - Express Function – Sensor detects rinse aid and automatically sets drying cycle duration
  - Sanitize Function – Raises water temperature in final rinse to meet NSF requirements
  - High Gloss – Provides superior drying performance
  - Half Load – Energy saving function for use with partial loads
  - Delay Start – Allows delayed activation for up to 24 hours

### MODELS

- VDWU324SS - 24"W. Dishwasher
- FDWU324 - 24"W. Custom Panel Dishwasher

### ACCESSORIES

- PDDP524 Viking door panel - for use with FDWU models in exclusive color finishes
- PHK23 – Professional Handle Kit - for use with FDWU models

### COLOR FINISHES

- Available with wrapped Stainless-Steel Door Panel installed
- PDDP524 available in exclusive color finishes Black (BK), White (WH), Apple Red (AR), Burgundy (BU), Cobalt Blue (CB), Graphite Gray (GG)



### WARRANTY

- One-year full – complete product
- Ninety-day full – cosmetic parts such as glass, painted items, and decorative items
- Lifetime limited – tank and inner door
- Five-year limited – electronic controls, racks, motor/pump assemblies and water distribution system

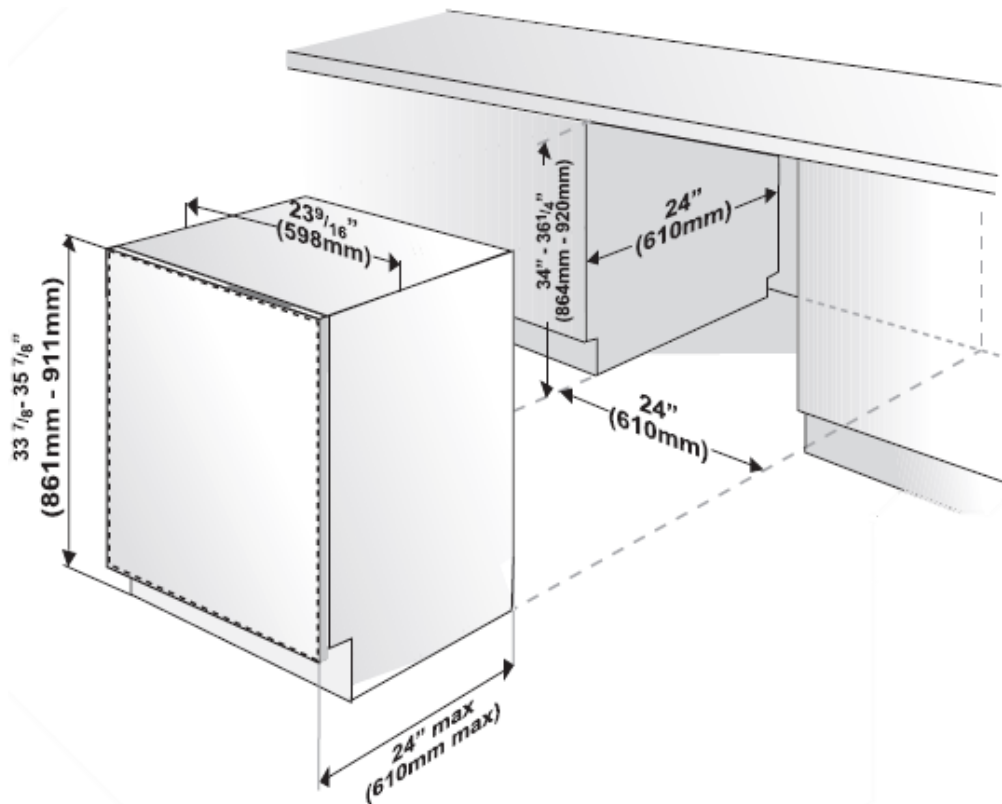


## 24"W. 324 MODEL DISHWASHER

Viking Select Dishwasher – VDWU324/FDWU324

24" W. DISHWASHER	
DESCRIPTION	VDWU324/FDWU324
Overall Width	23-9/16" (59.8 cm)
Overall Height from Floor	33-7/8" (86.0 cm) minimum to 35 7/8" (91.1 cm) maximum
Overall Depth	To front of door panel: 22 3/16" (56.4 cm)
Cutout Width	24" (61.0 cm)
Cutout Height	34" (86.4 cm) minimum to 36 1/4" (92.0 cm) maximum
Cutout Depth	24" (61.0 cm)
Electrical Requirements	12.0 amps, 120V/60Hz; 4" (120cm) electrical cord with supplied with unit
Water-Heating Element Rating	1100 watts
Inlet Water Temperature	120°F (49°C) required
Drain Hose	6.4' (1.9m) drain hose provided
Drain Hose High Loop Required	Height from floor – 28" (71.0 cm)
Approximate Shipping Weight	94 lb. (42 kg)

Please do not prepare installation from brochure data only. See installation instructions for important clearance/installation information.



VIKING RANGE, LLC 111 FRONT STREET GREENWOOD, MISSISSIPPI 38930 USA

For detailed product information, model numbers, or to request a quote call 1-888-845-4641 or visit [vikingrange.com](http://vikingrange.com)

© 2019 Viking Range, LLC All rights reserved. Specifications subject to change without notice.