

Built-In Series Overlay Door Panel Retro-Fit Kit - For Side-By-Side Models

(7003399, 7003400, 7011531)

<u>CONTAINS:</u>	<u>QTY</u>	<u>DESCRIPTION</u>
	2	Hinge-Side Trim Filler
	1	Freezer Door Bottom Trim Filler
	1	Refrigerator Door Bottom Trim Filler
	1	Instruction Sheet

HANDLE REMOVAL PROCEDURE:

1. At the top of the door, insert a flat blade screwdriver into the channel of the screw cover and push the cover back so that it disengages from the handle-side trim (See Figure 1).
2. With a T-20, 6-lobe Torx type bit, extract the handle-side trim mounting screws and pull the trim from the door (See Figure 2).

COMPONENT INSTALLATION PROCEDURE (See Figure 3):

1. Install Hinge-Side Trim Filler so that it overlaps the hinge side door trim.
2. Install the Bottom Trim Filler so that it overlaps the bottom door trim and hooks behind the Hinge-Side Trim Filler, then secure the ends with masking tape until after the panel is installed.
3. Install the existing 600 series door panel, then remove the tape as mentioned in step 2 above.
4. Reattach the handle-side door trim.
5. Reinstall the screw cover.

NOTE: Though only the freezer door is shown, the procedure for the refrigerator door is the same.

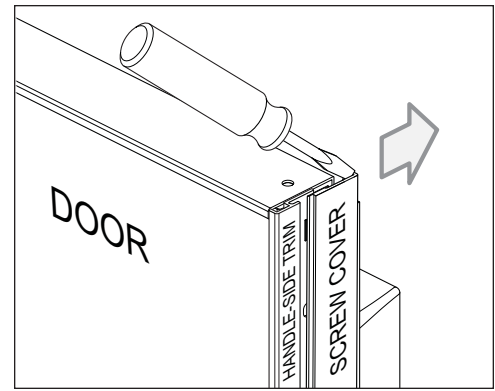


Figure 1. Screw Cover Removal

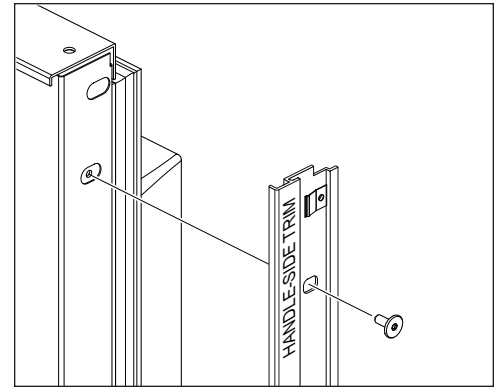


Figure 2. Handle-Side Trim Removal

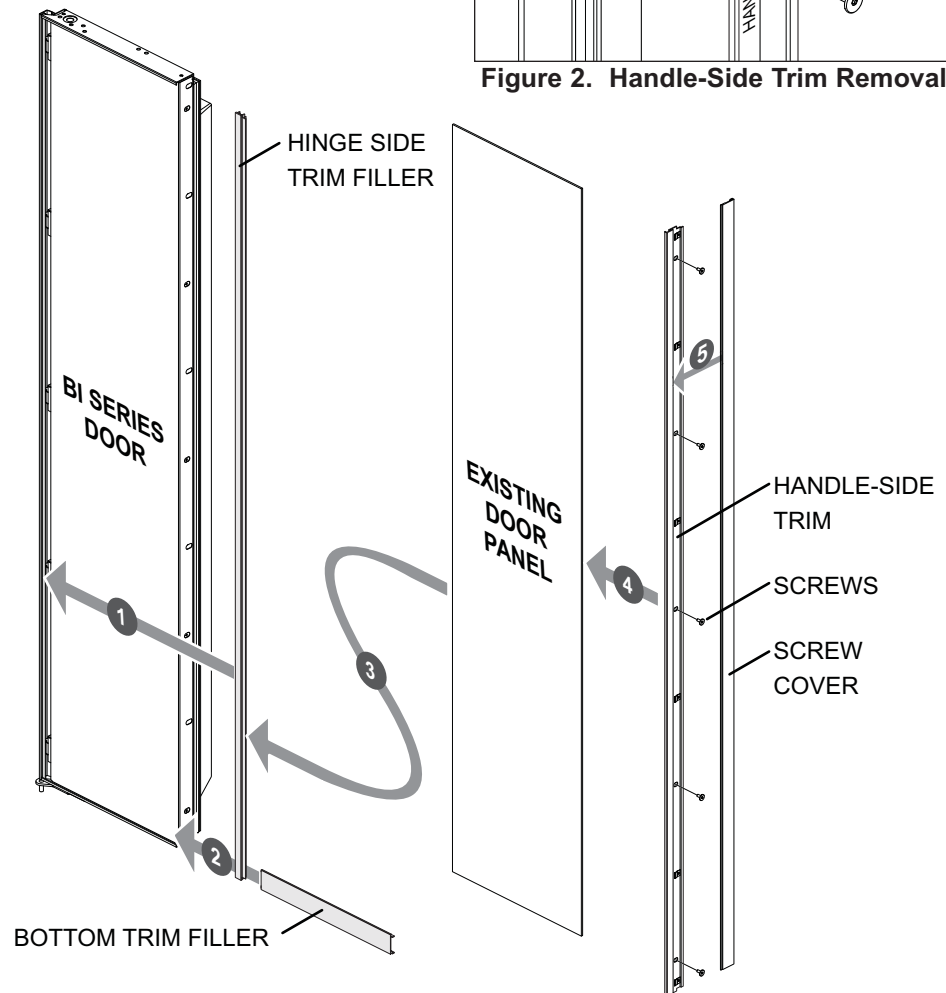


Figure 3. Component Installation



Built-In Series Overlay Door Panel Retro-Fit Kit - For Side-By-Side Models

(7003399, 7003400, 7011531)

BEFORE BEGINNING WORK ON THE PANEL GRILLE ASSEMBLY, READ THESE IMPORTANT NOTES:

- The existing 600 Series grille front panel, spacer panel and backer panel will need to be cut down by 1" (25 mm) in height in order to fit into the Built-in Series panel grille frame.
- If cutting the grille panel assembly down is not an option, then an alternate Built-in Series louvered grille assembly or stainless steel grille assembly should be considered.

BOTTOM GRILLE FRAME

EXTRUSION REMOVAL PROCEDURE (See Figure 4):

Use a T-20, 6-lobe Torx type bit to extract the two lower grille frame extrusion mounting screws from each side of the grille and pull the bottom grille extrusion along with the corner brackets from the side grille extrusions.

GRILLE COMPONENTS

INSTALLATION PROCEDURE (See Figure 5):

1. Install both Panel Grille Side Trim Fillers so that they overlap the grille's side trim.
2. Install the existing 600 series grille panel assembly after it has been cut down by 1" (25 mm) in height.
3. Reattach the bottom grille extrusion.

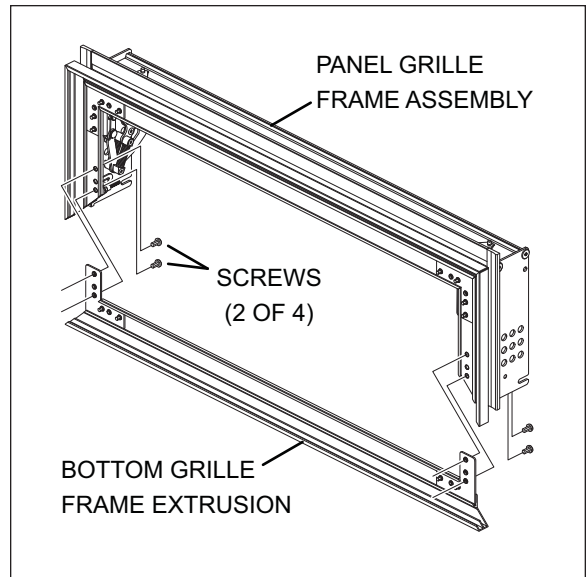


Figure 4. Bottom Frame Extrusion Removal

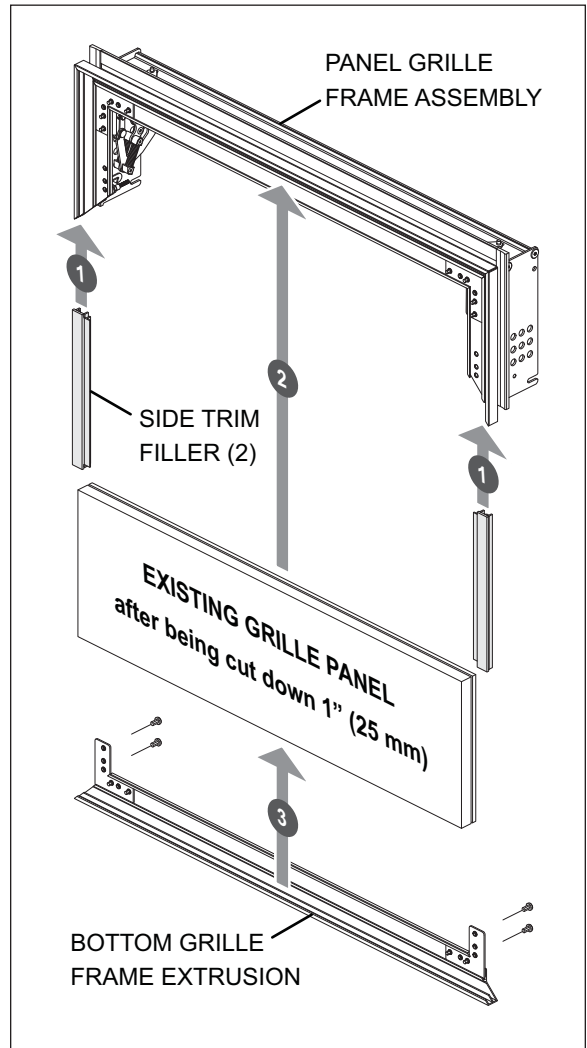


Figure 5. Grille Component Installation