

# Built-In Series Overlay Door Panel Retro-Fit Kit - For Over/Under Models

(7003402, 7003403)

<u>CONTAINS:</u>	<u>QTY</u>	<u>DESCRIPTION</u>
	2	Refrigerator Door Side Trim Filler
	1	Refrigerator Door Bottom Trim Filler
	1	Freezer Drawer Bottom Trim
	2	Freezer Drawer Side Trim Filler
	2	Panel Grille Side Trim Filler
	1	Instruction Sheet

## REFRIGERATOR DOOR HANDLE-SIDE TRIM REMOVAL:

1. At the top of the door, insert a flat blade screwdriver into the channel of the screw cover and push the cover away from the handle-side trim, disengaging it from the trim (See Figure 1).
2. With a T-20, 6-lobe Torx type bit, extract the handle-side trim mounting screws and pull the trim from the door (See Figure 2).

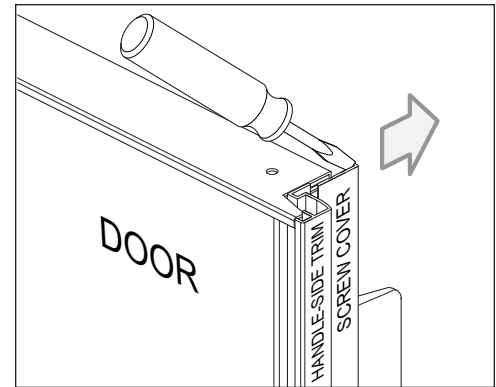


Figure 1. Screw Cover Removal

## DOOR COMPONENTS INSTALLATION PROCEDURE(See Figure 3):

1. Install one Refrigerator Door Side Trim Filler so that it overlaps the hinge side door trim.
2. Install the Refrigerator Door Bottom Trim Filler so that it overlaps the bottom door trim and hooks behind the Trim Filler on the hinge side, then secure the ends with masking tape until after the panel is installed.
3. Install the existing 600 series door panel, then remove the tape as mentioned in step 2 above.
4. Install the other Refrigerator Door Side Trim Filler over the edge of the door panel on the handle side of the door.
5. Reattach the handle-side door trim.
6. Reinstall the screw cover.

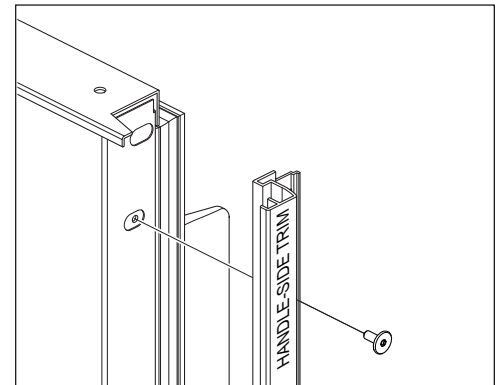


Figure 2. Handle-Side Trim Removal

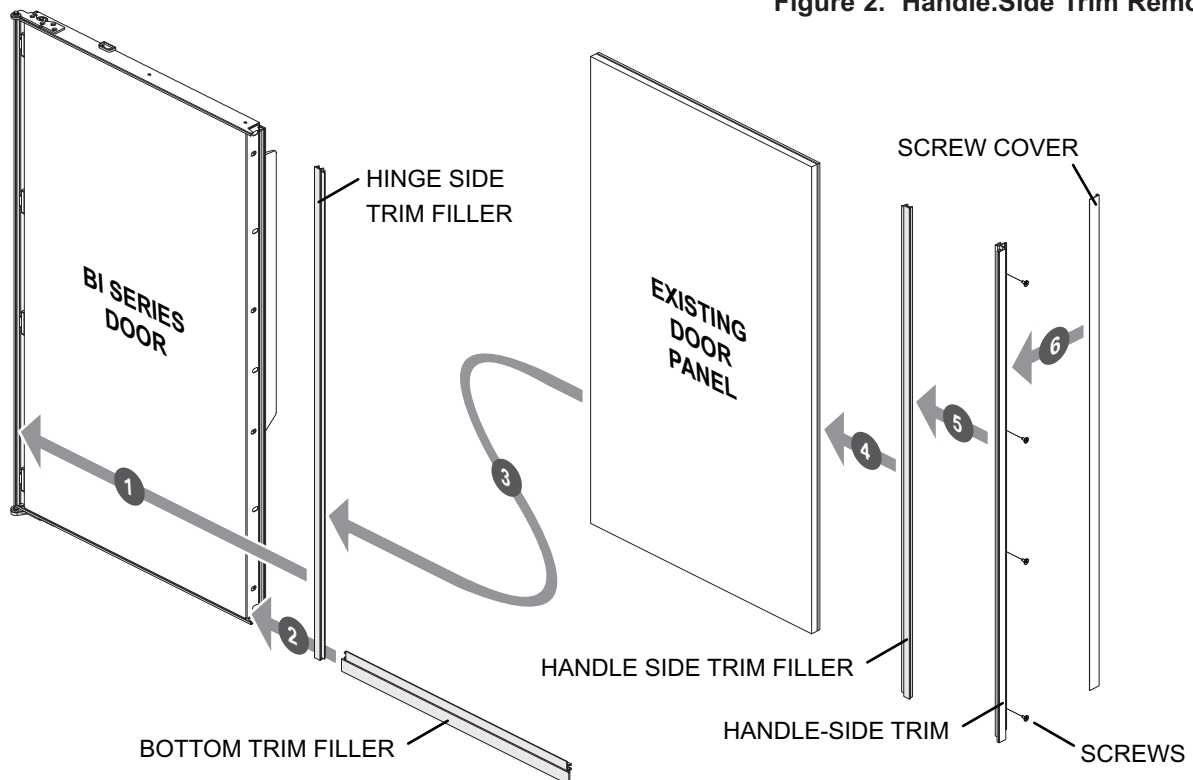


Figure 3. Door Component Installation



# Built-In Series Overlay Door Panel Retro-Fit Kit - For Over/Under Models

(7003402, 7003403)

## FREEZER DRAWER TRIM REMOVAL PROCEDURE:

1. At the back right-hand side of the top drawer trim, insert a flat blade screwdriver into the notch in the screw cover and pry the cover away from the top trim, disengaging it from the top trim (See Figure 4).
2. With a T-20, 6-lobe Torx type bit, extract the top trim mounting screws and pull the top trim from the drawer (See Figure 5).
3. With a T-15, 6-lobe Torx type bit, extract the bottom trim mounting screws and pull the bottom trim from the drawer (See Figure 6).

## DRAWER COMPONENTS INSTALLATION PROCEDURE (See Figure 7):

1. Install the new Freezer Drawer Bottom Trim reusing the screws just removed in step 3 above.
2. Install both Drawer Side Trim Fillers so that they overlap the side trim and hook up with the bottom Trim.
3. Install the existing 600 series drawer panel.
4. Reattach the top drawer trim.
5. Reinstall the screw cover.

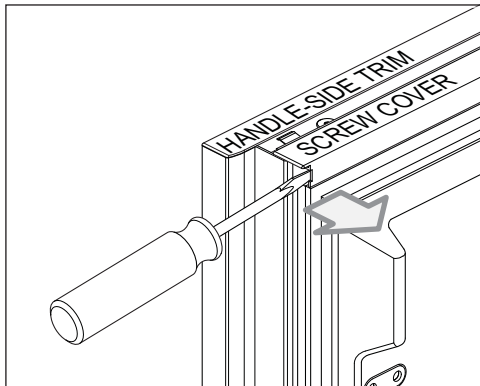


Figure 4. Screw Cover Removal

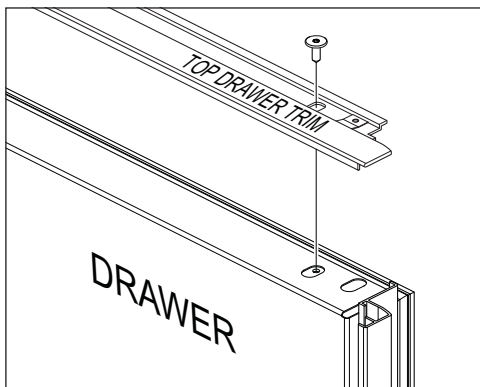


Figure 5. Top Trim Removal

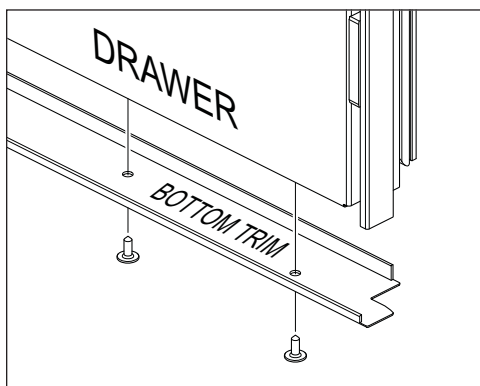


Figure 6. Bottom Trim Removal

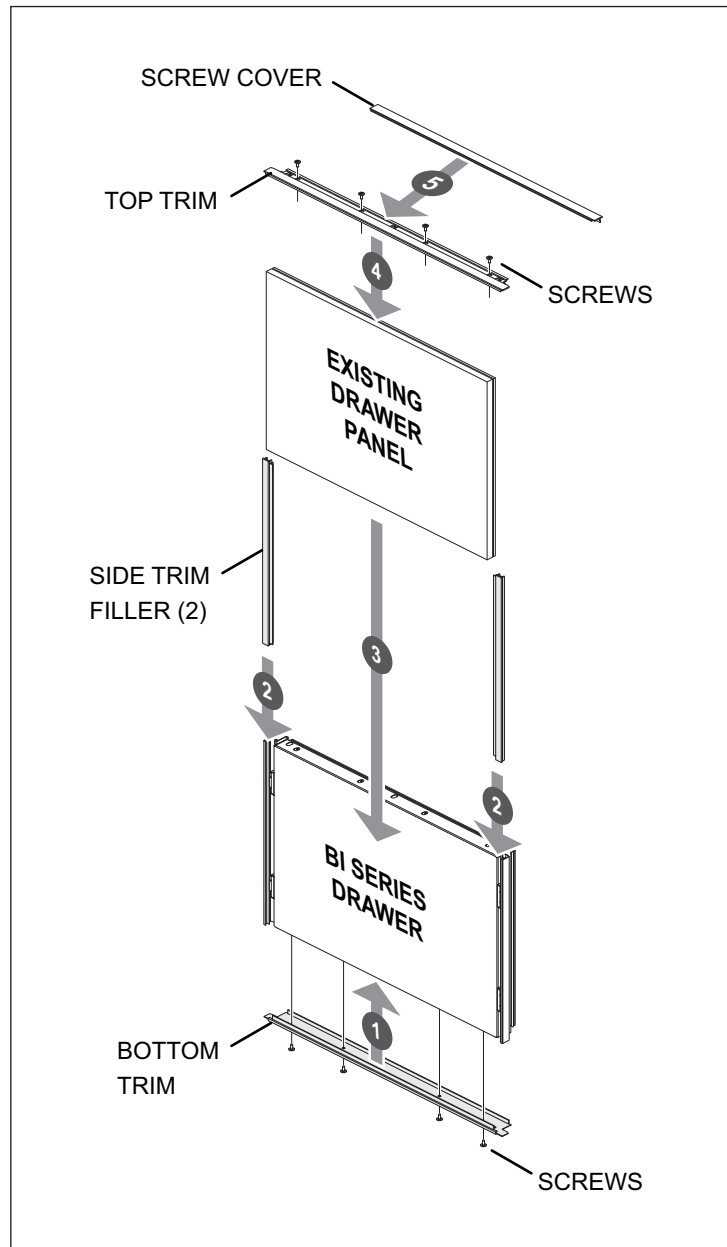


Figure 7. Drawer Component Installation

# Built-In Series Overlay Door Panel Retro-Fit Kit - For Over/Under Models

(7003402, 7003403)

## **BEFORE BEGINNING WORK ON THE PANEL GRILLE ASSEMBLY, READ THESE IMPORTANT NOTES:**

- The existing 600 Series grille front panel, spacer panel and backer panel will need to be cut down by 1" (25 mm) in height in order to fit into the Built-in Series panel grille frame.
- If cutting the grille panel assembly down is not an option, then an alternate Built-in Series louvered grille assembly or stainless steel grille assembly should be considered.

## **BOTTOM GRILLE FRAME**

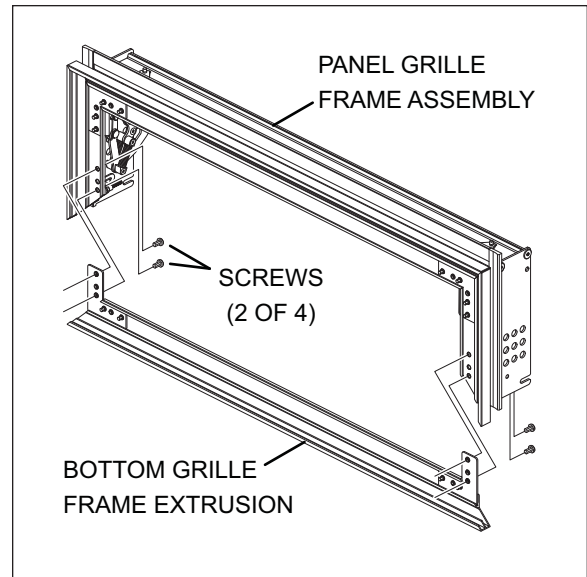
### **EXTRUSION REMOVAL PROCEDURE** (See Figure 8):

Use a T-20, 6-lobe Torx type bit to extract the two lower grille frame extrusion mounting screws from each side of the grille and pull the bottom grille extrusion along with the corner brackets from the side grille extrusions.

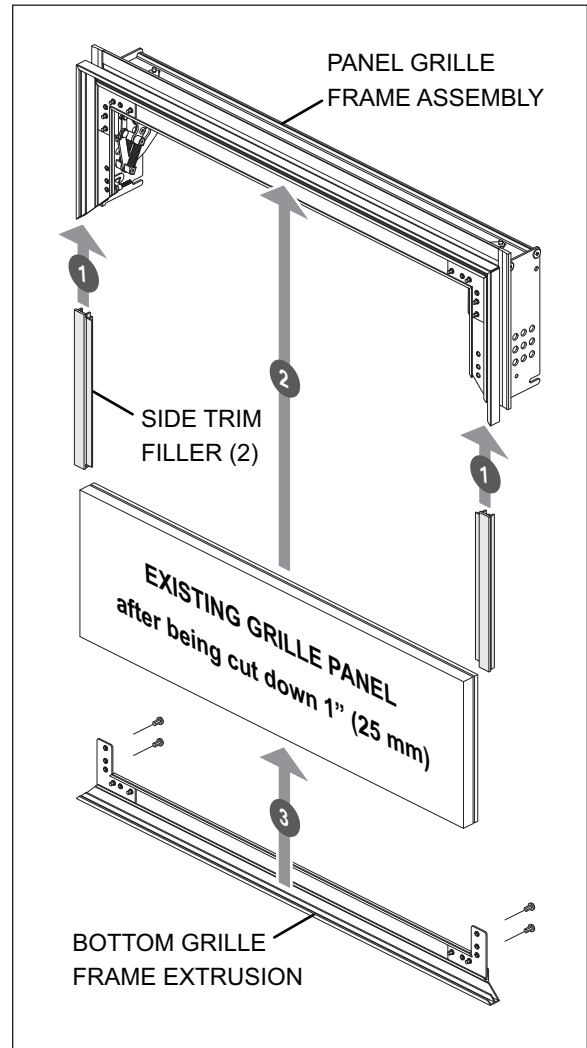
## **GRILLE COMPONENTS**

### **INSTALLATION PROCEDURE** (See Figure 9):

1. Install both Panel Grille Side Trim Fillers so that they overlap the grille's side trim.
2. Install the existing 600 series grille panel assembly after it has been cut down by 1" (25 mm) in height.
3. Reattach the bottom grille extrusion.



**Figure 8. Bottom Frame Extrusion Removal**



**Figure 9. Grille Component Installation**