

Models 427/S and 427R/S - Stainless Steel Door & Drawer Panel Installation

PROCEDURE:

Door Panel Instructions:

Panels are mounted to the doors by passing the #8-32 X 5/8" screws provided, through the holes in the door frame from the rear and into the threaded holes in the panel (See figure 1). The screw holes inside the door are hidden under the door gasket and covered by black tape cover patches. It is necessary to lift the gasket and temporarily remove the cover patches to insert the screws. After panel installation is complete, the cover patches must be reapplied over the holes on the inside surface of the door.

⚠ CAUTION

The black tape cover patches under the door gasket are a part of the insulation system of the wine storage unit door. Be sure to reapply all patches over the holes in the door.

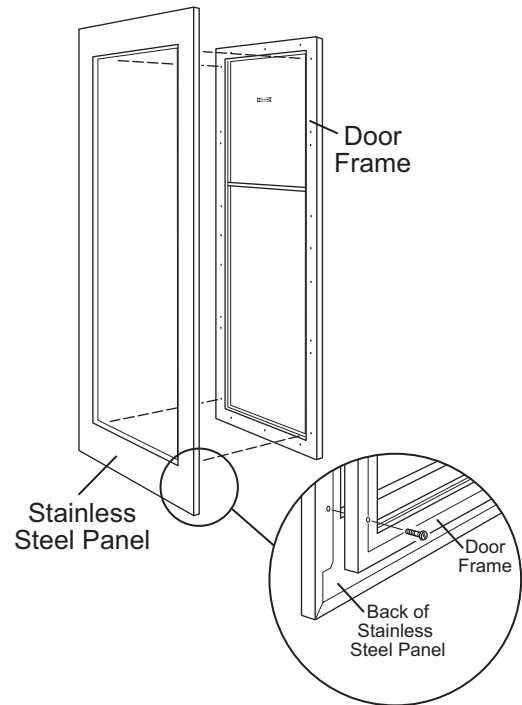


Figure 1

Model 427R Drawer Panel Installation:

Stainless steel panels are mounted to Model 427R/S drawers by attaching metal brackets provided, to the back of the panels, then attaching this assembly to the drawer.

Remove the mounting hardware from the face of the drawers. Working on the back side of each drawer panel (with the fronts protected), fasten the brackets to the panels securely with #8 X 1/2" screws provided (See Figure 2).

NOTE: To help with the placement of the drawer panels, examine the lower bracket and determine the slotted holes position, then insert the mounting screws into the bottom of the drawer front that corresponds with these slots. Leave these screws out approximately 1/8" so they can help when you mount the drawer panels to the drawer.

With the two brackets in place on the back of drawer panel, engage the top dog-ear bracket first into the slots in the drawer front, then engage the lower bracket onto the protruding screws mentioned in the note above. Fasten all screws to the lower bracket to secure the drawer panel (See figure 2).

NOTE: The drawers on Models 427R are non-adjustable. If drawer panels do not line-up, loosen the mounting screws at bottom of drawers and adjust panels accordingly.

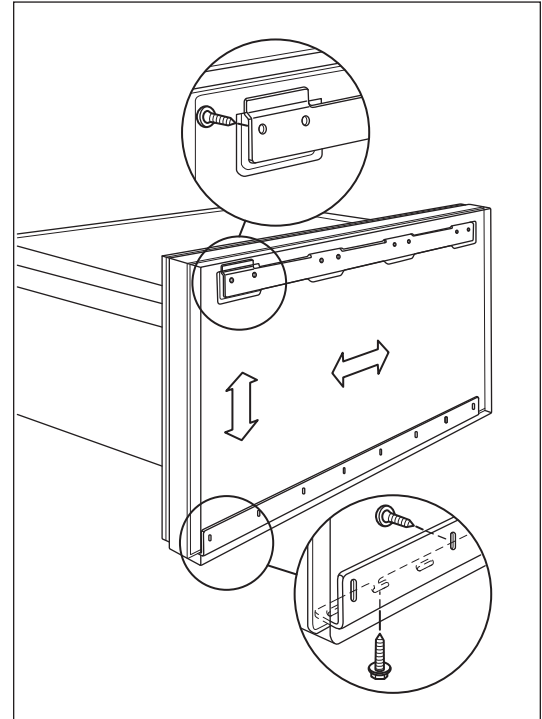


Figure 2

