

# 700 Series - Integrated Stainless Steel Panel Installation

## PROCEDURE:

### STAINLESS STEEL DOOR PANEL INSTALLATION

**NOTE:** It is recommended that the stainless steel door panel of the tall unit be installed first and then the upper and lower drawer panels.

1. Before attaching the stainless steel door panel to the door, remove six outer screws from each of the three mounting positions and loosen the center screws (See figure 1).
2. Remove the two pieces of mounting hardware attached to the front of the door. Then, attach the two pieces to the back of the stainless steel panel (one for the handle side and one for the hinge side) (See Figure 2).
3. Place the stainless steel door panel lying face down on a protected surface, to prevent scratches or damage to the front of the panel.
4. Install stainless steel door panel by engaging the tabbed bracket to handle side of the door first. Then, slide hinge side mounting bracket onto positioning screws on hinge side of the door. **NOTE:** The panel can be adjusted 1/4" (6 mm) up and down and side to side.
5. Once door panel is in place and adjusted correctly, attach six #10 x 1/2" screws (removed in step 1) to hinge side mounting bracket. Then, install magnetic decorative caps (See Figure 1).

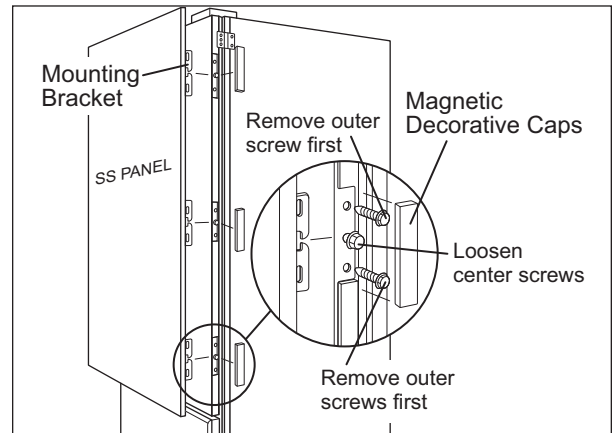
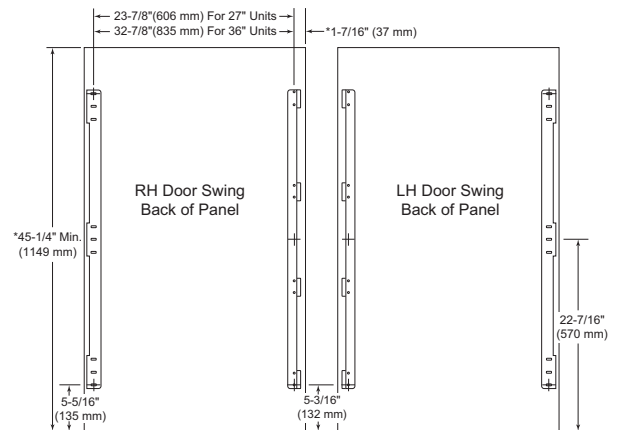


Figure 1

### ⚠ CAUTION

As reveal between cabinets and unit decreases, the potential exists for severe finger pinching if fingers are placed in the opening when the door is closing.



\* DIMENSIONS MAY VARY

Figure 2



# 700 Series - Integrated Stainless Steel Panel Installation

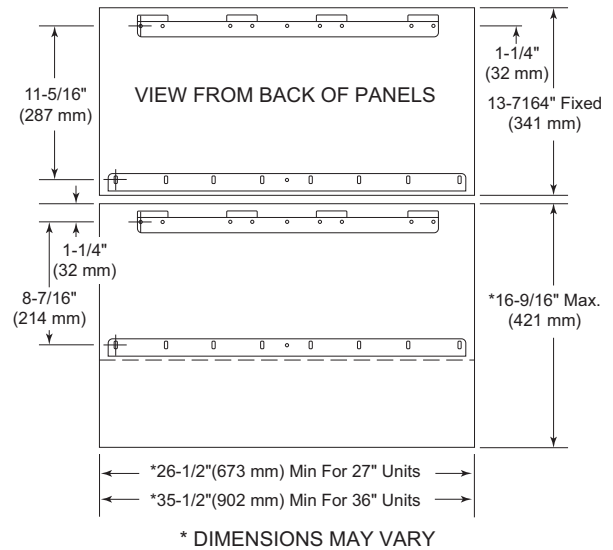
## STAINLESS STEEL DRAWER PANEL INSTALLATIONS

1. Remove the two pieces of mounting hardware attached to the front of drawer. Then, attach the two pieces to the back of the stainless steel panel (one for the handle side and one for the hinge side) (See Figure 3).
2. Place the stainless steel drawer panels lying face down on a protected surface, to prevent damage to the front of the panels.
3. To help with placement of the drawer panels, examine the lower "L" bracket and panel to determine the slotted holes on the bracket that will be used. Then, position screws into lower portion of drawer that corresponds with these slots. Leave these screws out just enough so that the slotted holes in the bracket will slide under the heads (See Figure 4).
4. With the two mounting brackets in place, install drawer panel by engaging the top tabbed bracket first, then slide lower 'L' bracket onto positioning screws.

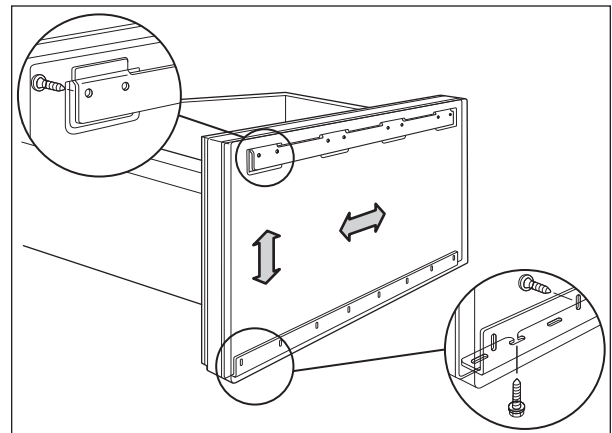
**NOTE:** The panels can be adjusted 1/4" (6 mm) up and down and side to side.

5. Fasten all screws to lower "L" bracket to secure drawer panel (See Figure 4).

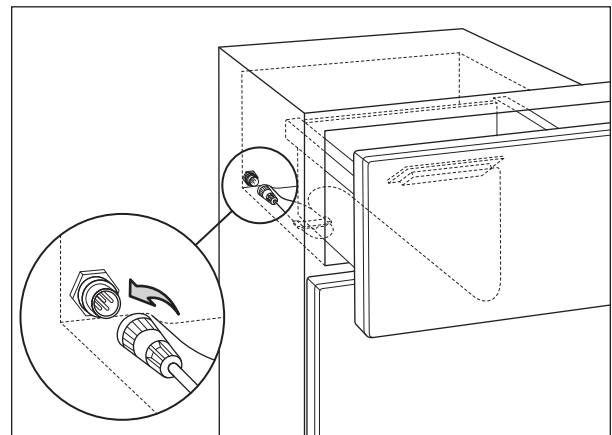
**NOTE:** Once drawer panels have been adjusted for proper spacing, be sure to reconnect the control cable on the base unit only after you have installed the drawer (See Figure 5).



**Figure 3**



**Figure 4**



**Figure 5**

