

Installation GUIDE

Range / Rangetop
Rear Island Trim / Backguard / High Shelf Accessories
Range Curb Base Fronts

Rear Trim Accessories

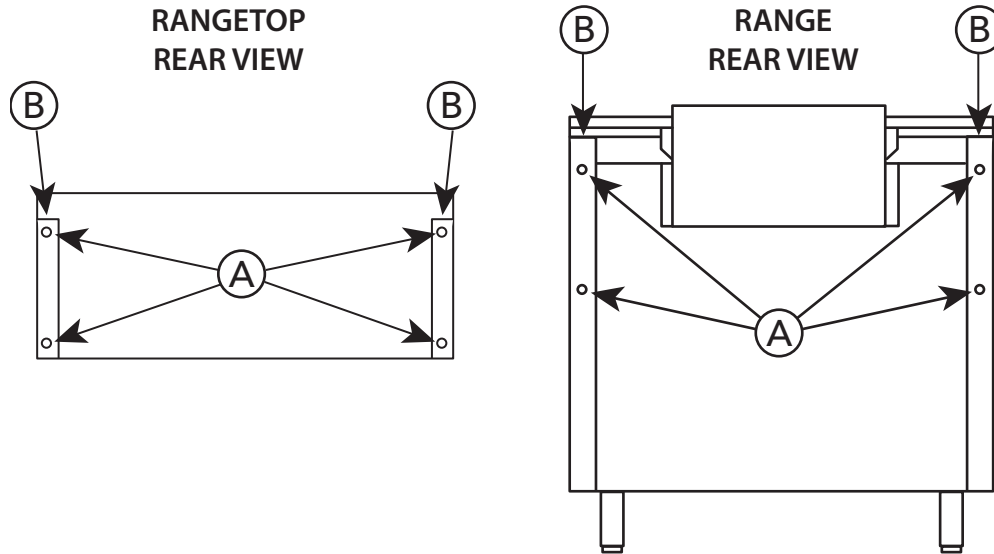
MODELS	BACKGUARD	HIGH SHELF	CURB BASE
VGIC5301 VGCC530 C/VDSC530 C/VESC530 C/VISC530 VGRT530 C/VER530 C/VIR530	P30BG8SS	B304H24SS	P30CBF4SS N/A
VGCC536 C/VDSC536 VGIC5361 VGRT536	P36BG8SS	B36HS24SS	P36CBF4SS N/A
VGCC548 C/VDSC548 VGRT548	P48BG8SS	B48HS24SS	P48CBF4SS N/A
VGCC560 C/VDSC560	P60BG8SS	B60HS24SS	P60CBF4SS
VGR530 C/VDR530 VGIC5302 VRT530	BG8530SS	HS24530SS	P30CBF4SS
VGR536 C/VDR536 VGIC5362 VRT536	BG8536SS	HS24536SS	P36CBF4SS
VGR548 C/VDR548 VRT546	BG8548SS	HS24548SS	P48CBF4SS
VGR560 C/VDR560	BG8560SS	HS24560SS	P60CBF4SS
C/RVER3301	RD30BG6SS	N/A	P30CBF4SS
RVGR3301 RVGR3302 RVGR3303 RVDR3301 RVDR3302	RD301BG6SS	N/A	P30CBF4SS

Rear Trim Accessories

All rear trim devices are installed in the same basic way.

ATTACHING REAR TRIM (Illustration 1)

Grasp the trim on each end and carefully place in the channels (B) located at each rear corner of the product. Align the screw holes (A) at each end of the trim device with the holes (A) in each rear channel of the product. Secure with the 4 enclosed screws.



ATTACHING SHELF ON HIGH -SHELF (Illustration 2)

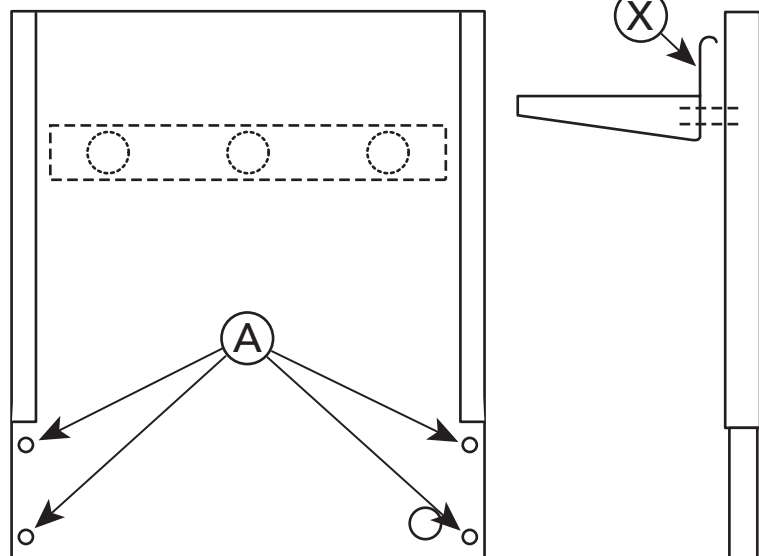
Place the top rolled edge (X) over the front lip of the high-shelf back trim and secure with the 4 enclosed screws, two at each end.

CAUTION: Do not place heavy pans and pots on the High Shelf or light flammables liquids.

HIGH SHELF

⚠ WARNING

To reduce the risk of fire or injury to persons, check to make sure all packaging has been removed from the outside and inside parts of the rear trim device before installing. MAKE SURE ALL CORRUGATED MATERIAL IS REMOVED FROM INSIDE THE HIGH SHELF.

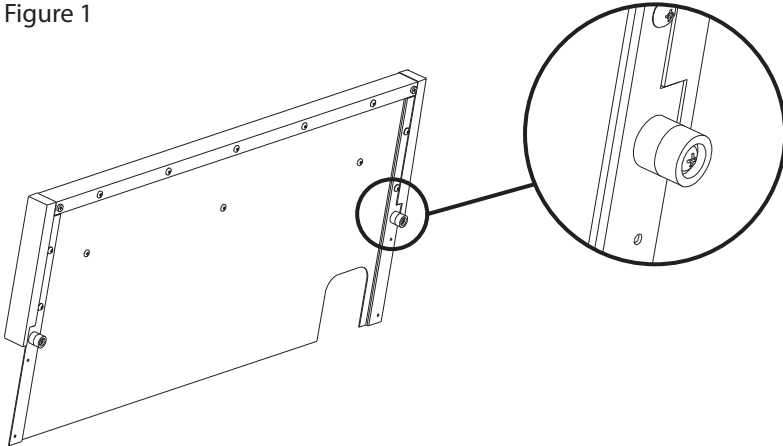


Rear Trim Accessories

ATTACHING BACKGUARD (Illustration 3)

Backguards come equipped with Nylon Spacers (See Figure 1), which are needed to space the range off a combustible wall a prescribed safe distance.

Figure 1



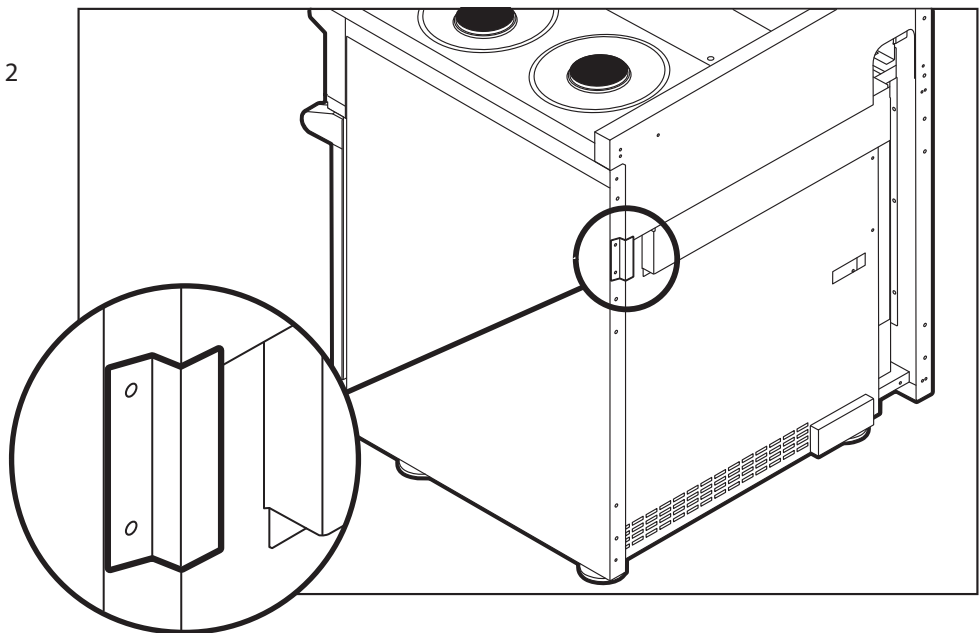
These spacers can also be removed if used with any of the models* listed below:

- C/VGCC530
- C/VDSC530
- C/VDSC536
- C/VGRT530
- C/VGRT536

*If you have one of these models, the spacers are not required, even if with a combustible wall.

C/VGCC560 ranges require that two 1" standoff spacers be attached to the back of the range when using a range with a backguard against a combustible surface. (See Figure 2)

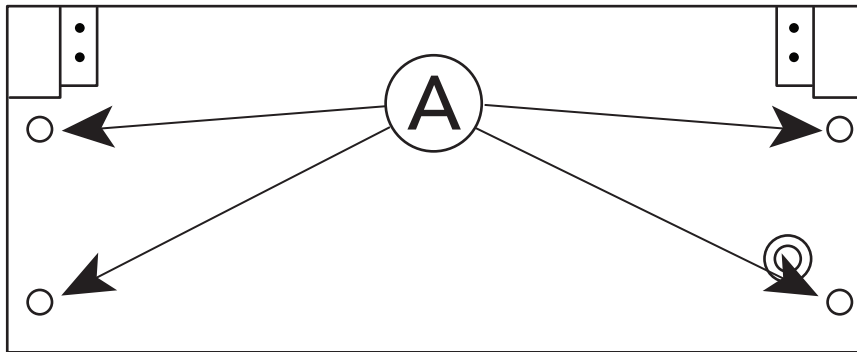
Figure 2



Once you determine whether or not your product needs the provided spacers, the backguard is ready to be attached. Simply slide the backguard down onto the rear of the unit behind the spacers and attach using the (4) screws provided.

Rear Trim Accessories

ATTACHING ISLAND TRIM (Illustration 4)



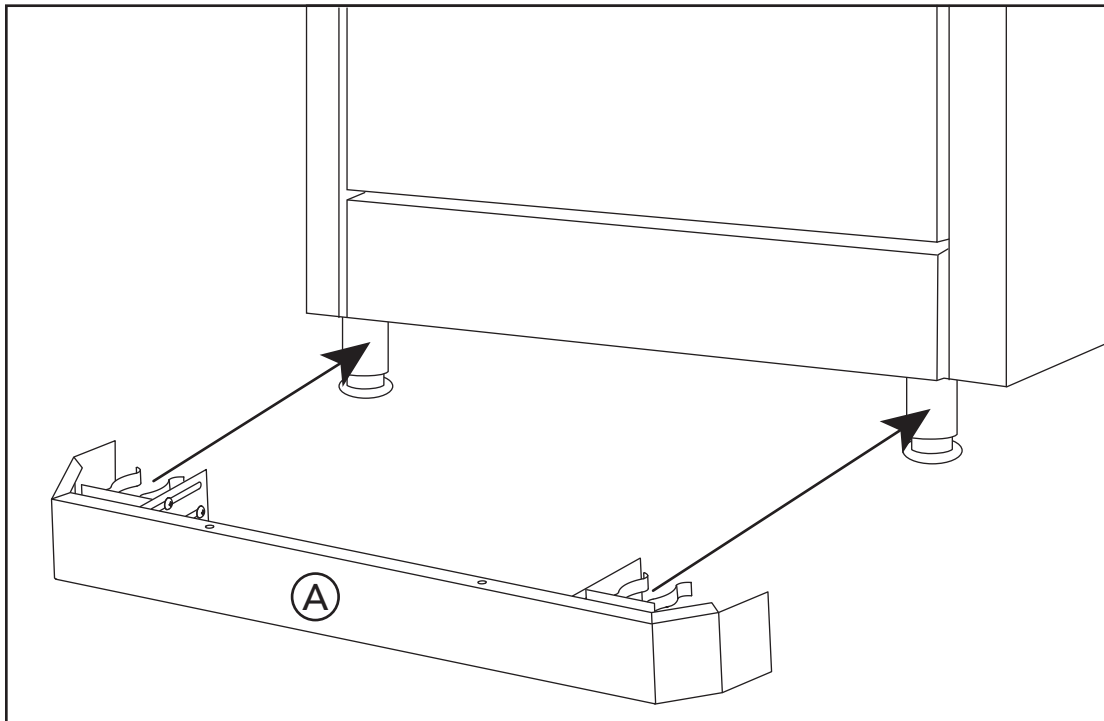
IMPORTANT: USE OF ISLAND TRIM WITH AND WITHOUT 6" (15.2 CM) CLEARANCE.

Normal installation for island trim on either a range or rangetop is in an island/peninsula or where there is a minimum clearance of 6" (15.2 cm) to any type of wall at the rear of the unit. Ranges and rangetops with an island trim installation can be installed at zero clearance to the rear wall as long as the wall is non-combustible. The responsibility for ensuring that the rear wall is non-combustible and heat resistant lies with the individual owner and/or end user. Only in those cases where the island trim is installed with 6" (15.2 cm) of minimum clearance to a rear wall, or when a truly non-combustible material is used, will the warranty apply. In no case will Viking Range, LLC accept responsibility for any claims which may result from heat damage against a rear wall, including cosmetic damage. It is the total responsibility of the owner/end user to ensure that the material utilized in such applications is not only non-combustible, but is also truly heat-resistant.

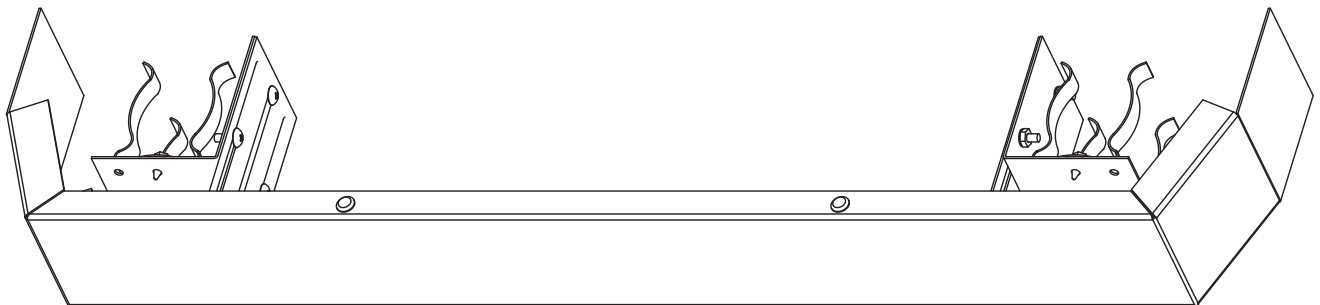
CURB BASES

STANDARD CURB BASE FRONT

1. The standard curb base front (A) is completely assembled.
2. Remove the assembly from the carton and simply clip onto the front range legs.
3. The assembly is adjustable about 2" (5.1 cm) front to back so that alignment with the cabinet toe front is possible. Loosen brackets on each side, **but allow snug fit**. Clip assembly onto range legs; determine front to back setting; remove, tighten bolts, and reattach.



ALTERNATE CURB BASE VIEW FOR CUSTOM RANGES



Important Note: The range must be installed as specified in the range installation guide for proper airflow when using the standard curb base.

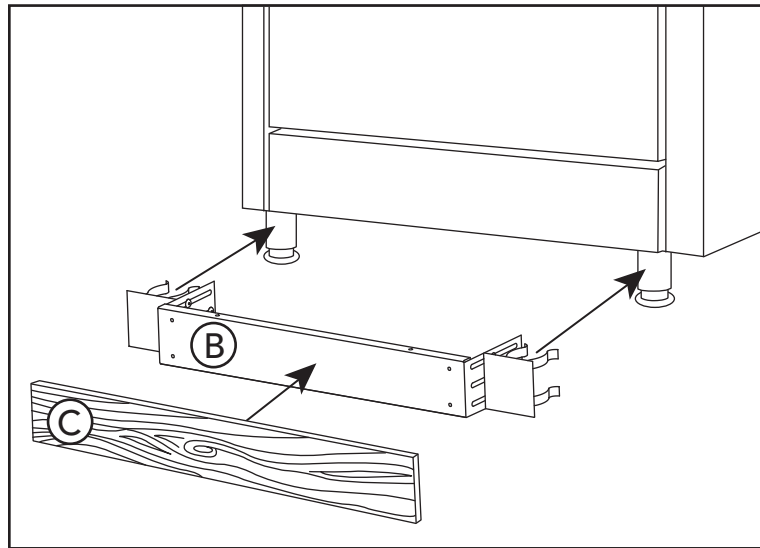
CURB BASES

CUSTOM CURB BASE FRONT

1. Remove the standard curb base front assembly from the carton.
2. Remove the front (A) from the mounting assembly (B).
3. Attach locally supplied front (C) to the mounting assembly (B) and simply clip onto the front range legs.

Important Note: The locally supplied front must not be any taller than 3-1/8" (7.9 cm) tall. Fronts taller than 3-1/8" (7.9 cm) could obstruct the airflow.

4. The assembly is adjustable about 2" (5.1 cm) front to back so that alignment with the cabinet toe front is possible. Loosen brackets on each side, but allow snug fit. Clip assembly onto range legs; determine front to back setting; remove, tighten bolts, and reattach.



Important Note: The range must be installed as specified in the range installation guide for proper airflow when using the standard curb base.

Viking Range, LLC
111 Front Street
Greenwood, Mississippi 38930 USA
(662) 455-1200

For additional product information, call 1-888-845-4641 or visit our website at vikingrange.com