

NEW 5 SERIES OUTDOOR PRODUCTS





30"W. Freestanding Grill
VQGFS5300



36"W. Freestanding Grill
VQGFS5360



42"W. Freestanding Grill
VQGFS5420



30"W. Built-In Grill
VQGI5300

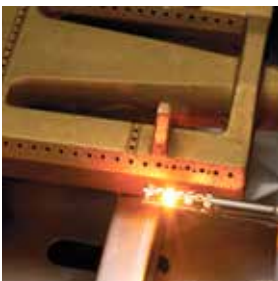


36"W. Built-In Grill
VQGI5360



42"W. Built-In Grill
VQGI5420

ALL MODELS EQUIPPED WITH PROSEAR BURNER AND ROTISSERIE



CAST BRASS BURNERS

- Lifetime Warranty
- Commercial burner design
- Rated at 25,000 BTU's each
- Heavy cast brass burners radiate heat effectively



HEAT STABILIZING DESIGN

- Wind-fin design stabilizes critical grill surface temperatures when cooking with the grill hood closed in windy conditions



RELIABLE HOT SURFACE IGNITION SYSTEM

- Ensures safe and efficient burner ignition
- Light each burner with the push of a knob
- Robust and weather resistant
- Ignition operates on 12 Volts DC
- Integral "flash-tube" alternate lighting system



HOOD ASSIST

- Heat treated stainless steel spring system
- Makes opening the commercial-grade hood effortless and safe
- Easy to remove and replace
- Reduces 90% of hood weight



CERAMIC RADIANT BRIQUETTES

- High-density ceramic provides even heat across the entire grilling surface
- Reduces flare-ups by keeping grease and oil away from the direct flame
- Enhances food's flavor as drippings hit the briquettes and turn to smoke
- Briquettes are clipped in place for easy reversible cleaning



ROTISSERIE SYSTEM

- 3-speed motor rated for 55 lbs.
- 2 roasting positions
- 14,000 to 16,000 BTU infrared rear burner
- Stainless steel roller bearings
- Drip pan included



54"W. Freestanding Grill
VQGFS5540



54"W. Built-In Grill
VQGI5540



CONTROL KNOB ILLUMINATION WITH BLUE LED LIGHTS

- Each knob features dedicated LED lighting
- Knob markings can easily be viewed at night
- Single switch activation for blue LED's and internal halogen lights



TEMPERATURE GAUGE

- Indicates when your grill is ready for cooking
- Large and easy to read
- Temperature reading is for convected heat, add 200° for surface grate temperature



INTERNAL HALOGEN GRILL SURFACE LIGHT

- Brightly illuminates entire grilling surface using heavy-duty Pyrex® glass lens directly over grilling surface
- 10 watt halogen light
- 36", 42" and 54" Grills feature two lights

Grill Features

GRILLING SURFACE AREA

- Viking grills have an extended depth for more primary grilling space*
- 30" Grills - 840 square inches (600 primary / 240 secondary)
- 36" Grills - 935 square inches (640 primary / 295 secondary)
- 42" Grills - 1,200 square inches (855 primary / 345 secondary)
- 54" Grills - 1,555 square inches (1,110 primary / 445 secondary)
- *NOTE: 30", 42" and 54" grill depth = 21" / 36" grill depth = 19"

FREESTANDING GRILL CART FEATURES

- Grill head is welded to cart to insure strength and rigidity
- Commercial casters with 360 degrees maneuverability make these units easy to move / 6 casters on 42" and 54" grills
- Fold-down shelves
- Heavy duty swing-out cart doors
- Doors include condiment shelves that are removable for easy cleaning
- 42" & 54" grill carts feature two pull out utility storage drawers
- Optional sliding LP tank tray

ELEGANT FIT AND FINISH

- Heavy 16 gauge stainless construction
- Continuously welded smooth joints for quality, strength, and beauty
- Finished seams with finely polished mirrored edges

REMOVABLE LARGE CAPACITY SMOKER BOX INCLUDED

- Used with wood chips or smoker pellets
- Sets directly on grates over any burner
- Smoking is most effective in first 20 minutes of slow cooking
- Made of heavy gauge 304 stainless steel
- Unique handle and interlock mechanism is designed to allow quick removal or refilling

Outdoor Companion Products



13"W. DOUBLE SIDE BURNERS VQGSB5130

- Two 15,000 BTU brass burners capable of delivering intense high heat and a low simmer
- Burners and burner basin are sealed and easy to clean
- Hot surface ignition system
- Control illumination with blue LEDs
- Stainless steel cover protects the burner(s) when not in use
- Heavy-duty welded construction eliminates gaps where grease and moisture can collect



20"W. POWER BURNER VQGPB5200

- Dual-ring cast brass burner
- Maximum heat control (3,000 BTU up to 46,000 BTU)
- Large stainless steel grate surface accommodates an oversized stockpot
- Removable center grate allows use of a commercial-style wok
- Hot surface ignition system
- Control illumination with blue LEDs
- Fully extendable drip pan
- Removable stainless steel cover protects the unit when not in use



OUTDOOR 30"W. WARMING DRAWER VQEWD5300

- Temperature settings from 90° to 220° offer the flexibility needed to keep breads warm or poultry piping hot
- Equipped with two removable steam pans, lids and steam racks
- Moist and crisp settings allow you to keep food at the desired texture
- Concealed heating element allows you to use the drawer as a towel or robe warmer
- "On" indicator light reminds you that the drawer is on
- Weather resistant stainless steel construction and polished highlights



OUTDOOR 42"W. CONVENIENCE CENTER WITH 30"W. WARMING DRAWER VQEWD5420

- Warming drawer, LP Tank Storage Cabinet and Utility Drawer in one convenient unit
- Sliding LP tank tray for safe and easy LP tank access
- Full width and depth utility drawer accommodates oversized grill tools, towels and condiments
- Temperature settings from 90° to 220° offer the flexibility needed to keep breads warm or poultry piping hot
- Warmer drawer is equipped with two removable steam pans, lids and steam racks
- Moist and crisp settings allow you to keep food at the desired texture
- Concealed heating element allows you to use the warming drawer as a towel or robe warmer
- "On" indicator light reminds you that the drawer is on
- Weather resistant stainless steel construction and polished highlights

Optional Accessories

- 18" and 24" Access Doors (VOADS5180/5240)
- 30", 36", and 42" Double Access Doors (VOADD5300/5360/5420)
- 19" Double Drawers (VODRD5190)
- 30", 36", and 42" Double Drawer and Access (VOADDR5300/5360/5420)
- 30", 36", 42", and 54" Insulated Jackets (VIJ5300/5360/5420/5540)
- 30", 36", 42", and 54" Grill Covers for both Freestanding and Built-in Grills

Specifications

GRILLS

MODEL	A	B	C
VQGI5300	29.00	10.88	24.50
VQGI5360	35.00	10.13	22.00
VQGI5420	41.00	10.88	24.50
VQGI5540	53.00	10.88	24.50

WITH INSULATED JACKET INSTALLED

MODEL	A	B	C
VIJ5300	36.00	11.63	26.50
VIJ5360	42.00	11.63	24.00
VIJ5420	48.00	11.63	26.50
VIJ5540	60.00	11.63	26.50

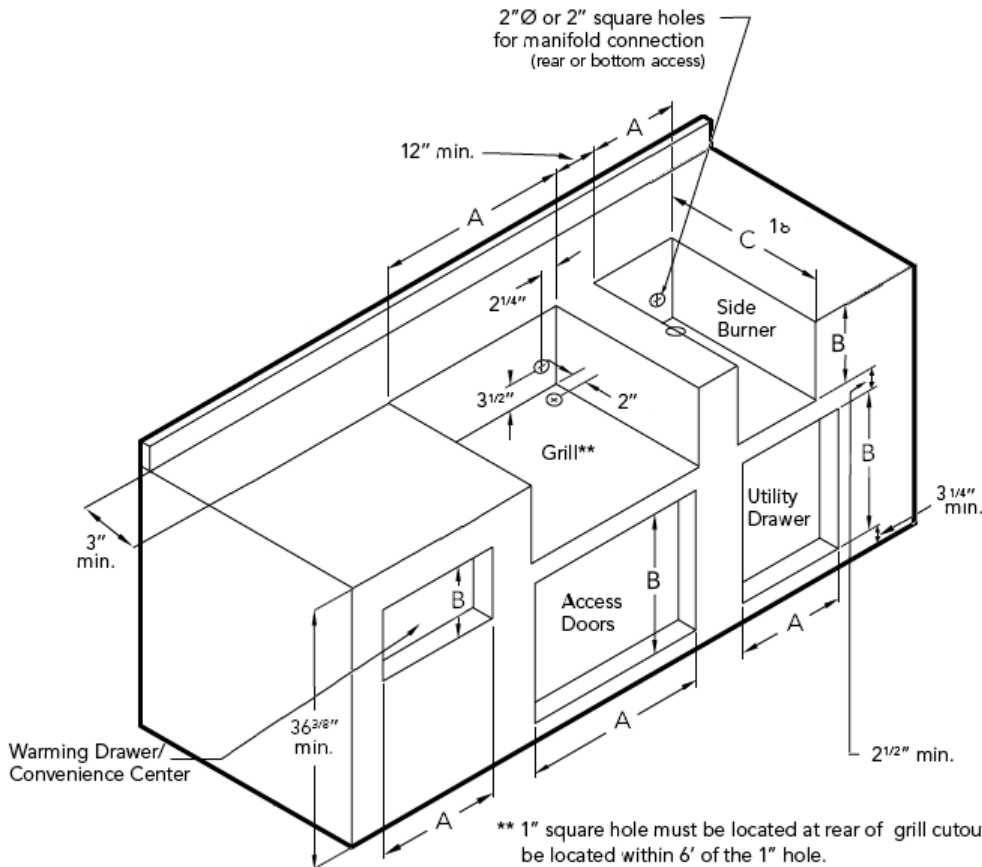
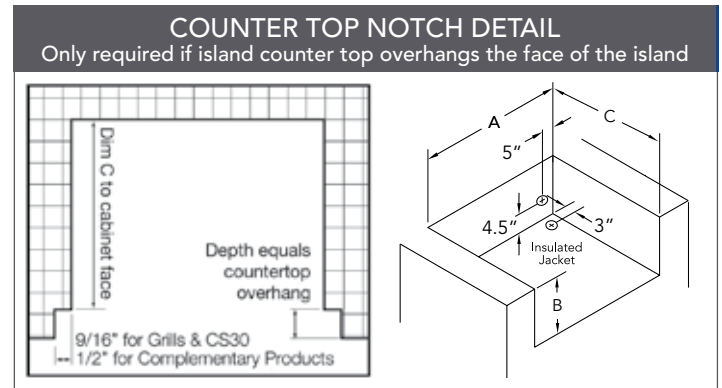
COMPANION PRODUCTS

SIDE BURNERS

MODEL	A	B	C
VQGSB5130	12.13	10.63	24.50
VQGPB5200	19.00	10.63	22.00

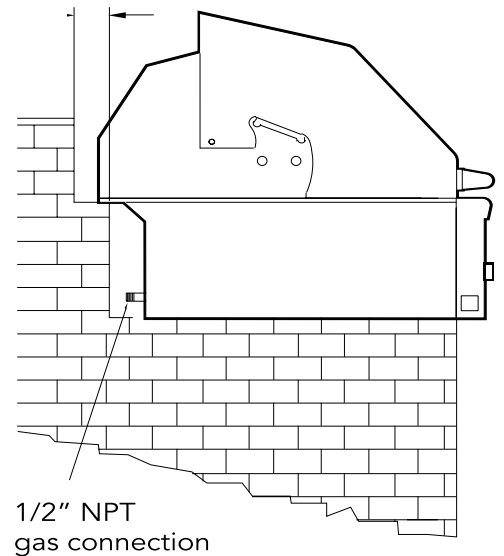
WARMING DRAWERS

MODEL	A	B	C
VQEWD5300	28.50	10.00	20.50
VQEWD5420	40.25	19.38	24.50



** 1" square hole must be located at rear of grill cutout. 120V GFI outlet must be located within 6' of the 1" hole.

3" CLEARANCE





For detailed product information, model numbers, or to request a quote call 1-888-845-4641 or visit vikingrange.com

Viking Range, LLC products are sold under the Brigade brand exclusively in Canada.