



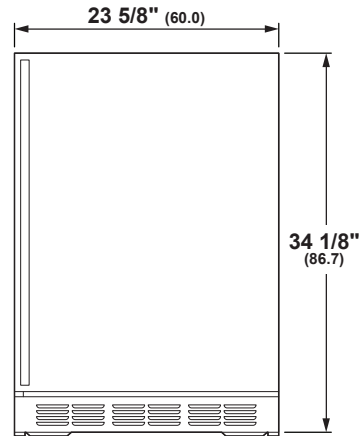
SPECIFICATIONS

Overall Width	23 1/2" (59.7 cm)
Overall Height	34 1/8" (86.7 cm)
Overall Depth	23 3/16" (58.9 cm)
Door Clearance	9 3/8" (23.8 cm) @ 110° 2" (5.1 cm) @ 90° 23 7/8" (60.6) door length
Overall Capacity	5.4 cu. ft.
Minimum Cabinet Width	23 3/4" (60.3 cm)
Minimum Cabinet Depth	24" (61.0 cm)
Cutout Width	23 3/4" (60.3 cm)
Cutout Height	34 1/2" (87.6 cm) Min 35" (88.9 cm) Max
Electrical Requirements	1.0 A
Voltz/Hertz/Amps	120 V, 60 Hz, 15 or 20 amp circuit
Shipping Weight	126 lb (57 kg)

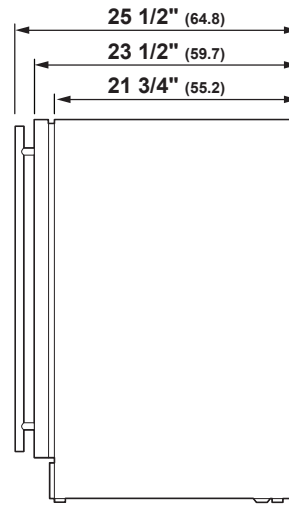
ATTENTION ELECTRICIAN:

A 115 volt 60Hz., 15 or 20 amp power supply is required. An individual properly grounded branch circuit or circuit breaker is recommended. Install a properly grounded 3-prong electrical receptacle recessed into the back wall.

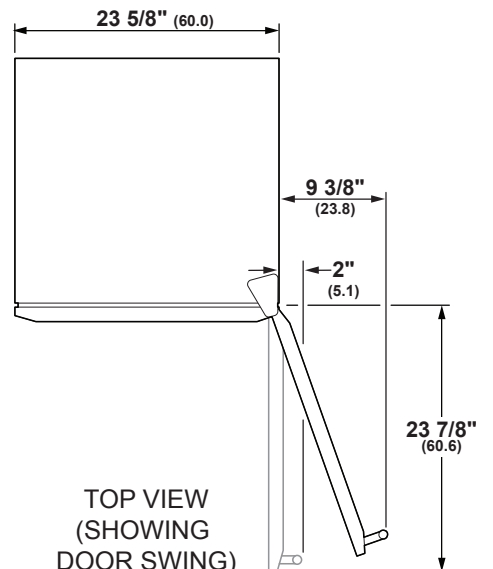
OVERALL DIMENSIONS



FRONT VIEW



SIDE VIEW



TOP VIEW (SHOWING DOOR SWING)

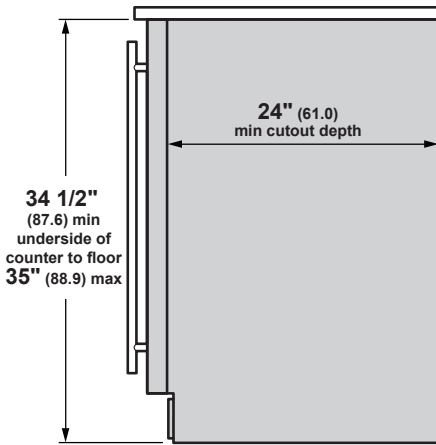
Dimensions in parentheses are in centimeters unless otherwise noted.

Actual product dimension may vary due to manufacturing tolerances.

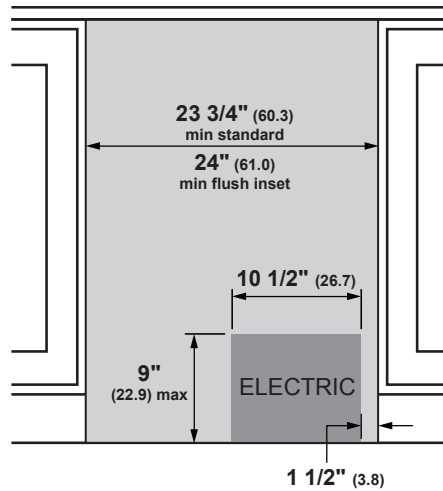
ELEVATE EVERYTHING™



STANDARD INSTALLATION

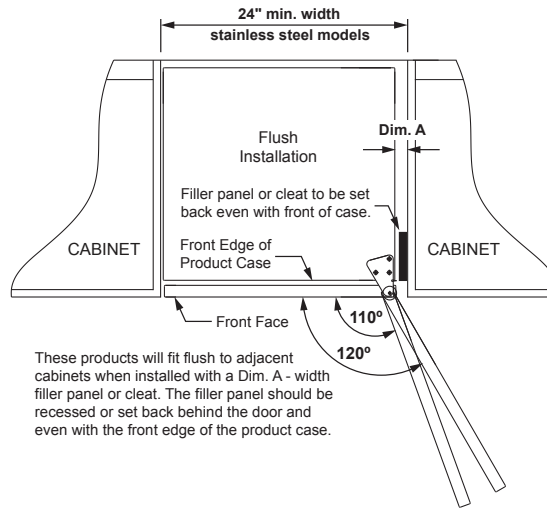
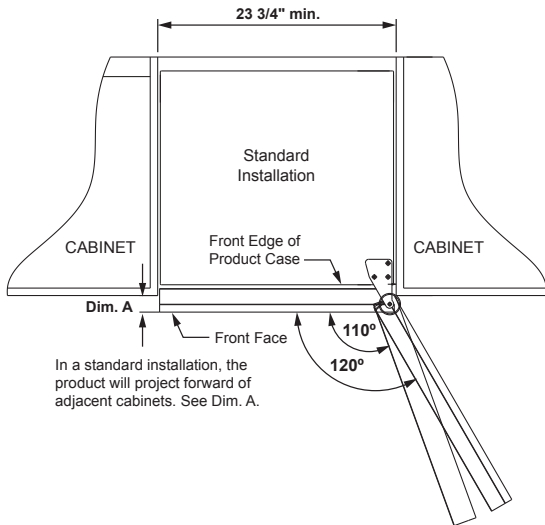


CUTOUT INSTALLATION SIDE VIEW



INSTALLATION CUTOUT FRONT VIEW

REFRIGERATION MODULES, TOP VIEW



PRODUCT	DIM. A
ZDWI240, ZDB1240	2"
ZDWR240, ZDBR240	1-3/4"
ZIFS240, ZIF1240	1-5/8"
ZDOD240	1-7/8"
ZIB1240, ZIBS240	2-5/8"

PRODUCT	DIM. A
ZDWI240, ZDB1240	1"
ZDWR240, ZDBR240	1"
ZIB1240, ZIF1240	1"
ZIFS240, ZIBS240	1/4"
ZDOD240	1-1/4"

NOTES

Installation Space: This module can be installed beneath a countertop or can be used free-standing.

For a standard installation of stainless steel unit: The product must be installed so that the front face will project 2-5/8" forward of adjacent cabinets.

For a flush installation of stainless steel unit: Install a 1" wide filler strip on the hinge side. The width of the opening must be 24" min. wide. See installation instructions for details.

Location Requirements: All Monogram Refrigeration Modules may be closed in on the top and sides as long as the front is unobstructed for air circulation and door swing.

- Do not install these products where the temperatures will go below 55° F (13 C) or above 90° F (32 C).
- Products must operate from separate properly grounded receptacles.
- These products are not designed to be stacked one over the other.

See installation instructions for side-by-side information.

ELEVATE EVERYTHING™



FEATURES AND BENEFITS

DIGITAL TOUCH CONTROLS

Offer a range of temperatures for precise chilling of a variety of fresh foods and beverages, and a LED display allows easy viewing of temperatures

SPACIOUS INTERIOR WITH REMOVABLE SPILLPROOF GLASS SHELVES, QUICKSPACE SHELF AND CLEAR LEXAN CRISPER

Provides a spacious 5.4 cu. ft. capacity that can hold a platter as large as 18" x 18"

SOFT INTERIOR LED LIGHTING

Automatically illuminates when the door is open, but can be activated by an internal on/off switch

CONVENIENT 24" CONFIGURATION

Is fully finished on all sides to allow installation virtually anywhere in the home

FLUSH INSET INSTALLATION CAPABLE

Allows near-seamless integration with surrounding cabinetry

REVERSIBLE DOOR SWING

Easily reversed to left or right door wing as needed



ZIFS240HSS - right-hinge door



ELEVATE EVERYTHING

MONOGRAM