



Built-In Combination Microwave/Thermal WALL OVEN

SAFETY INFORMATION 3

USING THE RANGE

Oven Controls.....10

Oven Settings.....11

Oven Options12

Microwaving13

Cooking Modes.....17

Sabbath Mode.....18

Cooking Guide19

Rack 20

Aluminum Foil/Oven Liners 20

CARE AND CLEANING

Cleaning the Range21

Oven Maintenance 23

Oven Door..... 23

TROUBLESHOOTING TIPS..... 24

LIMITED WARRANTY 30

ACCESSORIES31

CONSUMER SUPPORT 32

OWNER'S MANUAL

JT3800 - 30" Double Wall Oven
JK3800 - 27" Double Wall Oven

Write the model and serial numbers here:

Model # _____

Serial # _____

You can find them on a label on the side trim or on the front of the (lower) oven behind the oven door.

ESPAÑOL

Para consultar una version en español de este manual de instrucciones, visite nuestro sitio de internet GEAppliances.com.

THANK YOU FOR MAKING GE APPLIANCES A PART OF YOUR HOME.

Whether you grew up with GE Appliances, or this is your first, we're happy to have you in the family.

We take pride in the craftsmanship, innovation and design that goes into every GE Appliances product, and we think you will too. Among other things, registration of your appliance ensures that we can deliver important product information and warranty details when you need them.

Register your GE appliance now online. Helpful websites and phone numbers are available in the Consumer Support section of this Owner's Manual. You may also mail in the pre-printed registration card included in the packing material.



GE APPLIANCES

IMPORTANT SAFETY INFORMATION

READ ALL INSTRUCTIONS BEFORE USING THE APPLIANCE

PRECAUTIONS TO AVOID POSSIBLE EXPOSURE TO EXCESSIVE MICROWAVE ENERGY

- (a) **Do Not Attempt** to operate this oven with the door open since open-door operation can result in harmful exposure to microwave energy. It is important not to defeat or tamper with the safety interlocks.
- (b) **Do Not Place** any object between the oven front face and the door or allow soil or cleaner residue to accumulate on sealing surfaces.
- (c) **Do Not Operate** the oven if it is damaged. It is particularly important that the oven door close properly and that there is no damage to the:
 - (1) door (bent),
 - (2) hinges and latches (broken or loosened),
 - (3) door seals and sealing surfaces.
- (d) **The Oven Should Not** be adjusted or repaired by anyone except properly qualified service personnel.

To reduce the risk of burns, electric shock, fire, injury to persons or exposure to excessive microwave energy:

▲WARNING GENERAL SAFETY INSTRUCTIONS

- Read all instructions before using this appliance. When using electrical appliances, basic safety precautions should be followed, including the following:
 - Read and follow the specific precautions in the PRECAUTIONS TO AVOID POSSIBLE EXPOSURE TO EXCESSIVE MICROWAVE ENERGY section.
 - Be sure your appliance is properly installed and grounded by a qualified technician in accordance with the provided installation instructions.
 - Install or locate this appliance only in accordance with the provided installation instructions.
 - Some products such as whole eggs and sealed containers—for example, closed jars—are able to explode and should not be heated in this oven. Such use of the oven could result in injury.
 - Do not mount this appliance over a sink.
 - This oven is not approved or tested for marine use.
 - This oven is UL listed for standard wall installation.
 - Do not operate this appliance if it has been damaged or dropped.
- As with any appliance, close supervision is necessary when used by children.
- Use this appliance only for its intended use as described in this manual.
- Do not use corrosive chemicals or vapors in this appliance.
- This oven is specifically designed to heat, dry or cook food and is not intended for laboratory or industrial use.
- This appliance must only be serviced by qualified service personnel. Contact nearest authorized service facility for examination, repair or adjustment.
- Do not cover or block any openings on the appliance.
- Do not store this appliance outdoors. Do not use this product near water—for example, in a wet basement, near a swimming pool, near a sink or in similar locations.
- See door surface cleaning instructions in the Care and Cleaning of the Oven section of this manual.

READ AND SAVE THESE INSTRUCTIONS

IMPORTANT SAFETY INFORMATION

READ ALL INSTRUCTIONS BEFORE USING THE APPLIANCE

▲WARNING GENERAL SAFETY INSTRUCTIONS (Cont.)

- To reduce the risk of fire in the oven cavity:
 - Do not overcook food. Carefully attend appliance when paper, plastic or other combustible materials are placed inside the oven while microwave cooking.
 - Remove wire twist-ties and metal handles from paper or plastic containers before placing them in the oven.
 - Do not use the oven for storage purposes. Do not leave paper products, cooking utensils or food in the oven when not in use.
 - If materials inside the oven ignite, keep the oven door closed, turn the oven off and shut off power at the fuse or circuit breaker panel. If the door is opened, the fire may spread.
 - Do not use the Sensor Features twice in succession on the same food portion. If food is undercooked after the first countdown, use COOK BY TIME for additional cooking time.
- Do not operate the oven without the turntable in place. The turntable must be unrestricted so it can turn.
- Potentially hot surfaces include the oven door, floor, walls, oven rack and turntable.
- Don't defrost frozen beverages in narrow-necked bottles (especially carbonated beverages). Even if the container is open, pressure can build up. This can cause the container to burst, possibly resulting in injury.
- Foods cooked in liquids (such as pasta) may tend to boil more rapidly than foods containing less moisture. Should this occur, refer to the Care and Cleaning of the oven section for instructions on how to clean the inside of the oven.
- Hot foods and steam can cause burns. Be careful when opening any containers of hot food, including popcorn bags, cooking pouches and boxes. To prevent possible injury, direct steam away from hands and face.
- Do not overcook potatoes. They could dehydrate and catch fire, causing damage to your oven.
- Avoid heating baby food in glass jars, even with the lid off. Make sure all infant food is thoroughly cooked. Stir food to distribute the heat evenly. Be careful to prevent scalding when warming formula. The container may feel cooler than the formula really is. Always test the formula before feeding the baby.
- Do not attempt to deep fry in the oven.

▲WARNING NOTICE—PACEMAKERS

Most pacemakers are shielded from interference from electronic products, including microwaves. However, patients with pacemakers may wish to consult their physicians if they have concerns.

▲WARNING ARCING

Arcing can occur during microwave cooking. If you see arcing, press the Clear/Off pad and correct the problem.. Arcing is the microwave term for sparks in the oven. Arcing is caused by:

- Metal or foil touching the side of the oven.
- Metal, such as twist-ties, poultry pins, or gold-rimmed dishes, in the oven.
- Foil not molded to food (upturned edges act like antennas).
- Recycled paper towels containing small metal pieces being used in the oven.
- Use foil only as recommended in this manual.
- Metal cookware used during microwave cooking

READ AND SAVE THESE INSTRUCTIONS

IMPORTANT SAFETY INFORMATION

READ ALL INSTRUCTIONS BEFORE USING THE APPLIANCE

▲WARNING FOODS

- When microwaving, place all foods and containers on the clear glass tray.
- Do not pop popcorn in your oven unless in a special microwave popcorn accessory or unless you use popcorn labeled for use in microwave ovens.
- Do not boil eggs in this oven. Pressure will build up inside egg yolk and will cause it to burst, possibly resulting in injury.
- Do not operate the oven without food inside. This may cause damage to the oven. It increases the heat around the magnetron and can shorten the life of the oven.
- Foods with unbroken outer "skin" such as potatoes, hot dogs, sausages, tomatoes, apples, chicken livers and other giblets, and egg yolks should be pierced to allow steam to escape during cooking.

■ SUPERHEATED WATER

Liquids, such as water, coffee or tea, are able to be overheated beyond the boiling point without appearing to be boiling. Visible bubbling or boiling when the container is removed from the microwave oven is not always present. THIS COULD RESULT IN VERY HOT LIQUIDS SUDDENLY BOILING OVER WHEN THE CONTAINER IS DISTURBED OR A SPOON OR OTHER UTENSIL IS INSERTED INTO THE LIQUID.

To reduce the risk of injury to persons:

- Do not overheat the liquid.
- Stir the liquid both before and halfway through heating it.
- Do not use straight-sided containers with narrow necks.
- After heating, allow the container to stand in the microwave oven for a short time before removing the container.
- Use extreme care when inserting a spoon or other utensil into the container.

READ AND SAVE THESE INSTRUCTIONS

IMPORTANT SAFETY INFORMATION

READ ALL INSTRUCTIONS BEFORE USING THE APPLIANCE

▲WARNING MICROWAVE-SAFE COOKWARE

Make sure to use suitable cookware during microwave cooking. Most glass casseroles, cooking dishes, measuring cups, custard cups, pottery or china dinnerware which does not have metallic trim or glaze with a metallic sheen can be used. Some cookware is labeled “suitable for microwaving.”

- Place food or microwavable container directly on the clear glass tray to cook your food.
- Use of the non-stick metal tray during microwave cooking will result in inferior cooking performance.
- If you are not sure if a dish is microwave-safe, use this test: Place in the oven both the dish you are testing and a glass measuring cup filled with 1 cup of water—set the measuring cup either in or next to the dish. Microwave 30-45 seconds at high. If the dish heats, it should not be used for microwaving.



How to test for a microwave-safe dish.

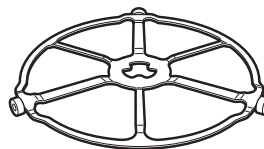
If the dish remains cool and only the water in the cup heats, then the dish is microwave-safe.

- Cookware may become hot because of heat transferred from the heated food. Oven mitts may be needed to handle the cookware.
- Do not use recycled paper products. Recycled paper towels, napkins and waxed paper can contain metal flecks which may cause arcing or ignite. Paper products containing nylon or nylon filaments should be avoided, as they may also ignite.
- Use foil only as directed in this manual. When using foil in the oven, keep the foil at least 1” away from the sides of the oven.
- Do not use the oven to dry newspapers.
- If you use a meat thermometer while cooking, make sure it is safe for use in microwave ovens.
- Some foam trays (like those that meat is packaged on) have a thin strip of metal embedded in the bottom. When microwaved, the metal can burn the floor of the oven or ignite a paper towel.

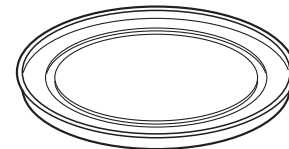
- Paper towels, waxed paper and plastic wrap can be used to cover dishes in order to retain moisture and prevent spattering. Be sure to vent plastic wrap so steam can escape.
- Not all plastic wrap is suitable for use in microwave ovens. Check the package for proper use.
- “Boilable” cooking pouches and tightly closed plastic bags should be slit, pierced or vented as directed by package. If they are not, plastic could burst during or immediately after cooking, possibly resulting in injury. Also, plastic storage containers should be at least partially uncovered because they form a tight seal. When cooking with containers tightly covered with plastic wrap, remove covering carefully and direct steam away from hands and face.
- Plastic cookware—Plastic cookware designed for microwave cooking is very useful, but should be used carefully. Even microwave-safe plastic may not be as tolerant of overcooking conditions as are glass or ceramic materials and may soften or char if subjected to short periods of overcooking. In longer exposures to overcooking, the food and cookware could ignite.

Follow these guidelines:

1. Use microwave-safe plastics only and use them in strict compliance with the cookware manufacturer’s recommendations.
2. Do not microwave empty containers.
3. Do not permit children to use plastic cookware without complete supervision.



The turntable must always be in place when using the oven.



The clear glass tray should always be in place when microwaving.

READ AND SAVE THESE INSTRUCTIONS

IMPORTANT SAFETY INFORMATION

READ ALL INSTRUCTIONS BEFORE USING THE APPLIANCE

▲WARNING Read all safety instructions before using the product. Failure to follow these instructions may result in fire, electrical shock, serious injury or death.

▲WARNING GENERAL SAFETY INSTRUCTIONS

- Use this appliance only for its intended purpose as described in this Owner's Manual.
- Be sure your appliance is properly installed and grounded by a qualified installer in accordance with the provided installation instructions.
- Do not attempt to repair or replace any part of your oven unless it is specifically recommended in this manual. All other servicing should be transferred to a qualified technician.
- Before performing any service, disconnect the power supply at the household distribution panel by removing the fuse or switching off the circuit breaker.
- Do not leave children alone—children should not be left alone or unattended in an area where an appliance is in use. They should never be allowed to climb, sit or stand on any part of the appliance.
- **▲CAUTION** Do not store items of interest to children in cabinets above an oven - children climbing on the oven to reach items could be seriously injured.
- Use only dry pot holders—moist or damp pot holders on hot surfaces may result in burns from steam. Do not let pot holders touch hot heating elements. Do not use a towel or other bulky cloth in place of pot holders.
- Never use your appliance for warming or heating the room.
- Do not touch the heating elements or the interior surface of the oven. These surfaces may be hot enough to burn even though they are dark in color. During and after use, do not touch, or let clothing or other flammable materials contact any interior area of the oven; allow sufficient time for cooling first. Other surfaces of the appliance may become hot enough to cause burns. Potentially hot surfaces include the oven vent opening, surfaces near the opening and crevices around the oven door.
- Do not heat unopened food containers. Pressure could build up and the container could burst, causing an injury.
- Do not use any type of foil or liner to cover the oven bottom or anywhere in the oven, except as described in this manual. Oven liners can trap heat or melt, resulting in damage to the product and risk of shock, smoke or fire.
- Avoid scratching or impacting glass doors or control panels. Doing so may lead to glass breakage. Do not cook on or in a product with broken glass. Shock, fire or cuts may occur.
- Cook meat and poultry thoroughly—meat to at least an internal temperature of 160°F and poultry to at least an internal temperature of 180°F. Cooking to these temperatures usually protects against foodborne illness.

▲WARNING KEEP FLAMMABLE MATERIALS AWAY FROM THE RANGE

Failure to do so may result in fire or personal injury.

- Do not store or use flammable materials in an oven or near the cooktop, including paper, plastic, pot holders, linens, wall coverings, curtains, drapes and gasoline or other flammable vapors and liquids.
- Never wear loose-fitting or hanging garments while using the appliance. These garments may ignite if they contact hot surfaces causing severe burns.
- Do not let cooking grease or other flammable materials accumulate in or near the range. Grease in the oven or on the cooktop may ignite.

READ AND SAVE THESE INSTRUCTIONS

IMPORTANT SAFETY INFORMATION

READ ALL INSTRUCTIONS BEFORE USING THE APPLIANCE

▲WARNING IN THE EVENT OF A FIRE, TAKE THE FOLLOWING STEPS TO PREVENT INJURY AND FIRE SPREADING

- Do not use water on grease fires. Never pick up a flaming pan.
- If there is a fire in the oven during baking, smother the fire by closing the oven door and turning the oven off or by using a multi-purpose dry chemical or foam-type fire extinguisher.
- If there is a fire in the oven during self-clean, turn the oven off and wait for the fire to go out. Do not force the door open. Introduction of fresh air at self-clean temperatures may lead to a burst of flame from the oven. Failure to follow this instruction may result in severe burns.

▲WARNING OVEN SAFETY INSTRUCTIONS

- Stand away from the oven when opening the oven door. Hot air or steam which escapes can cause burns to hands, face and/or eyes.
- Keep the oven vent unobstructed.
- Keep the oven free from grease buildup. Grease in the oven may ignite.
- Place oven racks in desired location while oven is cool. If rack must be moved while oven is hot, do not let pot holder contact hot heating element in oven.
- When using cooking or roasting bags in the oven, follow the manufacturer's directions.
- Pulling out the standard racks to their stop-locks or the extension rack to its fully open position is a convenience in lifting heavy foods. It is also a precaution against burns from touching hot surfaces of the door or oven walls.
- Do not leave items such as paper, cooking utensils or food in the oven when not in use. Items stored in an oven can ignite.
- Never place cooking utensils, pizza or baking stones, or any type of foil or liner on the oven floor. These items can trap heat or melt, resulting in damage to the product and risk of shock, smoke or fire.

▲WARNING SELF-CLEANING OVEN SAFETY INSTRUCTIONS

The self-cleaning feature operates the oven at temperatures high enough to burn away food soils in the oven. Follow these instructions for safe operation.

- Do not touch oven surfaces during self-clean operation. Keep children away from the oven during self-cleaning. Failure to follow these instructions may cause burns.
- Before self-cleaning the oven, remove shiny silver colored oven racks (on some models), the probe, any aluminum foil, and any broiler pan, grid, and other cookware. Only porcelain coated oven racks may be left in the oven.
- Before operating the self-clean cycle, wipe grease and food soils from the oven. Excessive amount of grease may ignite, leading to smoke damage to your home.
- If the self-cleaning mode malfunctions, turn the oven off and disconnect the power supply. Have it serviced by a qualified technician.
- Do not clean the door gasket. The door gasket is essential for a good seal. Care should be taken not to rub, damage or move the gasket.
- Do not use oven cleaners. No commercial oven cleaner or oven liner protective coating of any kind should be used in or around any part of the oven.

READ AND SAVE THESE INSTRUCTIONS

IMPORTANT SAFETY INFORMATION

READ ALL INSTRUCTIONS BEFORE USING THE APPLIANCE

FCC RADIO FREQUENCY INTERFERENCE

This equipment generates and uses ISM frequency energy and if not installed and used properly, that is in strict accordance with the manufacturer's instructions, may cause interference to radio and television reception. It has been type tested and found to comply with limits for an ISM Equipment pursuant to part 18 of FCC Rules, which are designed to provide reasonable protection against such interference in a residential installation. However, there is no guarantee that interference will not occur in a particular installation. If this equipment does cause interference to radio or television reception, which can be determined by turning the equipment off and on, the user is encouraged to try to correct the interference by one or more of the following:

- Reorient the receiving antenna of radio or television.
- Relocate the Microwave oven with respect to the receiver.
- Move the microwave oven away from the receiver.
- Plug the microwave oven into a different outlet so that microwave oven and receiver are on different branch circuits.

The manufacturer is not responsible for any radio or TV interference caused by **unauthorized modification** to this microwave oven. It is the responsibility of the user to correct such interference.

How to Remove Protective Shipping Film and Packaging Tape

Carefully grasp a corner of the protective shipping film with your fingers and slowly peel it from the appliance surface. Do not use any sharp items to remove the film. Remove all of the film before using the appliance for the first time.

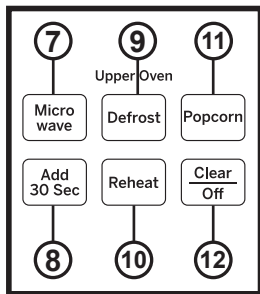
To assure no damage is done to the finish of the product, the safest way to remove the adhesive from packaging tape on new appliances is an application of a household liquid dishwashing detergent. Apply with a soft cloth and allow to soak.

NOTE: The adhesive must be removed from all parts. It cannot be removed if it is baked on.

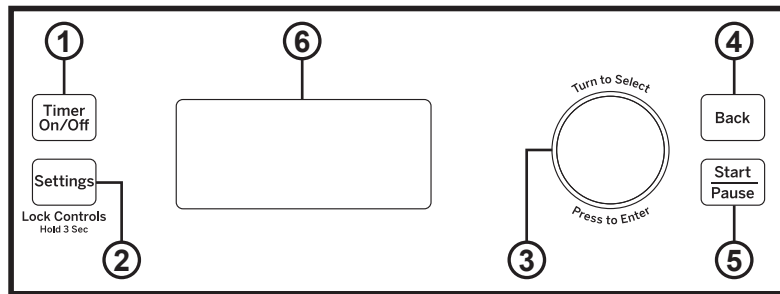
READ AND SAVE THESE INSTRUCTIONS

Oven Controls

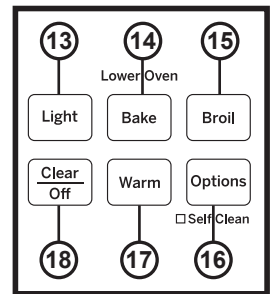
Upper Oven Controls



Common Controls



Lower Oven Controls



Common Controls

- 1. Timer On/Off:** Works as a countdown timer. Press the **Timer On/Off** pad, select the timer type (hours and minutes or minutes and seconds), use the selector dial to set the time, and press the selector dial to start the timer countdown. The oven will continue to operate when the timer countdown is complete. To turn the timer off, press the **Timer On/Off** pad.
- 2. Settings / Lock Controls:** Find oven options for: Help, Clock Settings, Display Mode, Auto Conversion, Auto Shut Off, Beeper Volume, Reminder, Temperature Units, Thermostat Adjust and Oven Information under this selection. See the Oven Settings section for more details. Press and hold **Settings** pad for 3 seconds to lock or unlock the controls. This locks out the control so that pressing any of the control pads does not activate the feature. Clear/Off is always active, even when the control is locked.
- 3. Selector Dial:** The selector dial is used for both the upper and lower ovens. Rotate dial to select oven settings, upper/lower oven options and cooking options then press to confirm the selection. Rotate dial to increase or decrease temperatures or time and then press to confirm the set temperature or time.
- 4. Back:** Press this pad to go back a menu level in the display.
- 5. Start/Pause:** Press the **Start/Pause** pad to start any cooking, clean or timed function. Press the **Start/Pause** pad to pause any upper oven features.
- 6. Display:** Information about both the upper and lower ovens is shown in this display window.

Upper Oven Controls

- 7. Microwave:** Press the **Microwave** pad for microwaving options. Use the selector dial to find the microwaving option desired and press the selector dial to select it. Options available include Cook by Time, Cook, Defrost, Beverage, Popcorn, Melt, Reheat, Simmer and Soften. Use the clear glass tray and microwave-safe cookware when using the microwave features. See Upper Oven Microwaving section for more detail.
- 8. Add 30 Sec:** Press the **Add 30 Sec** pad for 30 seconds of microwave cooking time. Each time this pad is pressed an additional 30 seconds is added to the remaining cooking time. The oven starts immediately.

- 9. Defrost:** Press the **Defrost** pad to defrost, rotate selector dial to select the type of defrost and press to select. Type of defrost available include; Defrost by Food Type, Defrost by Time, Defrost by Weight, 1.0 lb. Quick Defrost, Melt, and Soften. See the Microwaving section for more information.
- 10. Reheat:** Press the **Reheat** pad to reheat, rotate selector dial to select food type to reheat and press to select. Types of food available under the Reheat feature include; Beverage, Casserole, Chicken, Pasta, Pizza, Plate of Food, Rice, Soup, Steaks/Chops, and Vegetables.
- 11. Popcorn:** Press the **Popcorn** pad to microwave popcorn, press the selector dial to select. Popcorn feature is a microwave sensor feature and automatically senses when popcorn is done and shuts itself off. Do not use the Sensor Features twice in succession on the same food portion.
- 12. Clear/Off:** The **Clear/Off** pad cancels ALL upper oven programs except the clock and timer.

Lower Oven Controls

- 13. Light:** Press the **Light** pad to turn the oven light on or off in the lower oven. Note that light in the lower oven will not turn on if the oven is in a clean mode.
- 14. Bake:** Press the **Bake** pad to bake, rotate selector dial to select baking temperature and press to select.
- 15. Broil:** Press the **Broil** pad to broil, rotate selector dial to select Hi/Lo and press to select.
- 16. Options:** Find the Delay Start, Proof, Sabbath, Self Clean, Steam Clean and Warm features under this selection. See the Oven Options section for more details.
- 17. Warm:** Press the **Warm** pad to warm, press the selector dial to select. Do not use Warm to cook or heat cold food. See the Cooking Mode section for more information.
- 18. Clear/Off:** The **Clear/Off** pad cancels ALL lower oven programs except the clock and timer.

Oven Settings

Help

Use this feature to find out more about your oven and its features by pressing the **Settings** pad and selecting help. Turn the selector dial and press to select the feature you want to find out more about.

NOTE: Not all features of help may be on your oven model. Below are features found in the Help function:

Features found in the Help function.

| | | |
|-------------------------|---------------------|-------------------|
| Adding Time | Defrost by Weight | Start/Pause |
| Auto Conversion | Delay Start (Lower) | Steam Clean |
| Auto Shut-Off | Display Mode | Temperature Units |
| Back | Edit | Thermostat Adjust |
| Bake | Help | Timer On/Off |
| Beeper Volume | Melt | Toast |
| Beverage | Micro 30 Secs | Warm |
| Broil | Microwave | |
| Clear/Off | My Recipes | |
| Clock | Probe | |
| Control Lockout | Proof | |
| Cook | Reheat | |
| Cook by Food | Reminder | |
| Cook by Time | Repeat Last | |
| Cook by Time 1 & 2 | Resume | |
| Cooking Options (Lower) | Sabbath | |
| Cooking Options (Upper) | Self Clean | |
| Defrost | Sensor Cooking | |
| Defrost by Food | Simmer | |
| Defrost by Time | Soften | |
| | Speed Cook | |

Clock Settings

Use this feature to set the time of day and to specify how the time of day will be displayed. You can select a standard 12-hour clock (12 hr) or 24-hour military time display (24 hr). Prior to the first use of your oven, the clock must be set.

Display Mode

Use this feature to set Power Saver or Display Always On display mode.

Auto Shut-Off

Use this feature to activate/deactivate Auto Shut-Off. Activating the Auto Shut-Off feature will turn off the lower oven after 12 hours of continuous operations. The factory setting for Auto Shut-Off feature is activated. When in Sabbath mode Auto Shut-Off will be deactivated.

Beeper Volume

Use this feature to set Beeper Volume to Mute or Normal.

NOTE: Some tones are not mutable.

Reminder

Use this feature to Set, Review, or Clear Reminder.

Temperature Units

Use this feature to set the display temperature unit to °F (Fahrenheit) or °C (Celsius).

Thermostat Adjust

This feature allows the oven baking and convection baking temperature to be adjusted up to 35°F hotter or down to 35°F cooler on the lower oven. The upper oven cannot be adjusted. Use this feature if you believe your oven temperature is too hot or too cold and wish to change it. This adjustment affects Bake, and Convection Bake modes. No other cooking modes are affected.

Oven Information

This feature shows the Oven Model and Serial number.

Oven Options

Lower Oven Options

Delay Start

Use this feature to delay starting a Bake or Self Clean feature. To use this feature select Delay Start and set the time to start, then select cook mode. You can also use the Delay Start feature while programming a Bake cooking feature.

Proof

Use this feature to proof dough. See Lower Oven Cooking Modes for more detail.

Sabbath

Use this feature to enter Sabbath mode. Sabbath mode sets the oven for observance of the Jewish Sabbath and Holidays. This feature conforms to the Star-K Jewish Sabbath requirements. Sabbath mode disables the oven lights (the oven light will not turn on when the door is opened), all sounds (the control will not beep when a button is pressed, but will still beep if certain oven faults occur), and all upper oven functions and lower oven functions, except lower oven Bake. During Sabbath mode only lower oven Bake is available. While in Sabbath mode, after setting/changing a bake temperature, a random delay of approximately 30 seconds to 1 minute will occur before the oven will begin baking. To stop cooking, press the **Back** pad and then the **Start/Pause**

pad. Your oven will shut off after a random delay of approximately 30 seconds to 1 minute. To immediately exit lower oven Bake, press the **Clear/Off** pad at any time – cooking elements will immediately turn off and Sabbath Bake will change to Sabbath on the display, indicating that the oven has turned off. To exit Sabbath mode press and hold the **Back** pad for 3 seconds. Do not press any other buttons until Sabbath mode has exited, or Sabbath mode will be re-initialized and will not exit. See Lower Oven Sabbath Mode for more detail.

NOTE: If power outage occurs during Sabbath mode the unit will remain in Sabbath mode but will no longer be cooking when power is restored.

Self Clean

Use this feature to enter Self Clean mode. See Cleaning The Oven section for more detail.

Steam Clean

Use this feature to enter Steam-Clean mode. See Cleaning The Oven section for more detail.

Warm

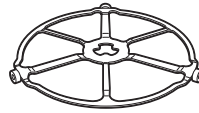
Use this feature to warm. See Lower Oven Cooking Modes for more detail.

Microwaving

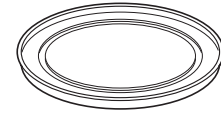
Using The Microwave Features

Make sure the turntable and clear glass tray are in place.

Place food or microwavable container directly on the clear glass tray to cook your food.



The **turntable** must always be in place when using the oven.



The **clear glass tray** should always be in place when **microwaving**.

MICROWAVE PRESET SELECTIONS:

- | | | | | |
|---|---|--|--|--|
| <ul style="list-style-type: none"> ■ Beverage <ul style="list-style-type: none"> - Water (8-12 oz.) - Coffee (8-12 oz.) - Tea (8-12 oz.) - Milk (8-12 oz.) - Hot Cocoa (8-12 oz.) ■ Popcorn <ul style="list-style-type: none"> - Popcorn Sensor | <ul style="list-style-type: none"> ■ Melt <ul style="list-style-type: none"> - Butter - Caramel - Cheese - Chocolate Chips - Marshmallow ■ Simmer | <ul style="list-style-type: none"> ■ Cook <ul style="list-style-type: none"> - By Food Type - By Time - By Time 1 & 2 ■ Soften <ul style="list-style-type: none"> - Butter - Cream Cheese - Frosting (16 oz.) - Ice Cream | <ul style="list-style-type: none"> ■ Defrost <ul style="list-style-type: none"> - 1.0 lb Quick - By Time - By Weight - By Food Type - Melt - Soften | <ul style="list-style-type: none"> ■ Reheat <ul style="list-style-type: none"> - Beverage - Casserole - Chicken - Pasta - Pizza - Plate of Food - Rice - Soup - Steaks/Chops - Vegetables |
|---|---|--|--|--|

How To Use Pre-Set Microwave Selections

1. Press the **Microwave** pad.
If no selection is made within 15 seconds, the display will revert back to the time of day.
2. Turn the selector dial to find the food or beverage you want to cook, defrost, soften, melt, simmer or reheat. Press the selector dial to enter.
3. Turn the selector dial to select the type, amount, weight and/or size. (As required, the oven will prompt you.) Press the selector dial after each selection.
4. Press the selector dial or the **Start/Pause** pad to start cooking.

To review or edit settings during cooking, press the selector dial.

If the door is opened during cooking, the oven will stop and **PAUSE** will appear in the display. Close the door and press **Start/Pause** pad to resume cooking.

If you enter an undesired selection at any time, simply press the **Back** pad and reenter the desired selections.

- When the oven is on, light may be visible around the door or outer case.
- The oven cavity light will come on during a microwave cooking cycle.
- Steam or vapor may escape from around the door.

Cook By Time And Cook By Time 1 & 2

Use Cook By Time and Cook By Time 1 & 2 to microwave food that is not in the recipe section and at the time(s) you set.

- The power level is automatically set at high, but you can change it for more flexibility.

1. Press the **Microwave** pad.
2. Turn the selector dial to select Cook By Time or Cook By Time 1 & 2 and press the selector dial to enter.
3. Turn the selector dial to set the cook time and press the selector dial to enter.

4. Select power level setting.

If you selected Cook By Time 1 & 2, turn the selector dial to set the second cook time, second power level setting and press the selector dial to enter.

5. Press the selector dial or the **Start/Pause** pad to start cooking.

You may open the door during Cook By Time and Cook By Time 1 & 2 to check the food. Close the door and press **Start/Pause** to resume cooking.

Microwaving (Cont.)

Microwave Power Level(s)

- You can change the power level during most cooking program.
1. Press the selector dial to edit
 2. Rotate selector dial to change time and/or press selector dial to enter.
 3. Turn the selector dial clockwise to increase and counterclockwise to decrease the power level. Press the selector dial to enter.

Here are some examples of uses for various power levels:

High 10: Fish, bacon, vegetables, boiling liquids.

Med-High 7: Gentle cooking of meat and poultry; baking casseroles and reheating.

Medium 5: Slow cooking and tenderizing for stews and less tender cuts of meat.

Low 2 or 3: Defrosting, simmering, delicate sauces.

Warm 1: Keeping food warm, softening butter.

Defrost By Food Type

Auto Defrost automatically sets the defrosting times and power levels to give even defrosting results for meats, poultry and fish weighing up to 6 pounds.

1. Remove food from the package and place it on a microwave-safe dish.
2. Press the **Microwave** pad and select defrost.
3. Turn the selector dial to Defrost By Food Type. Press the selector dial to enter.
4. Turn the selector dial to select food type. Press the selector dial to enter.
5. Turn the selector dial to the food weight, using the Conversion Guide at the right. For example, dial 1.2 for 1.2 pounds (1 pound, 3 oz.) Press the selector dial to enter.
6. Press the selector dial or **Start/Pause** pad to start defrosting.
7. Turn the food over when the oven signals Turn Food Over.

- Remove defrosted meat or shield warm areas with small pieces of foil for even defrosting.
- After defrosting, most meats need to stand 5 minutes to complete defrosting. Large roasts should stand for about 30 minutes.

Conversion Guide

If the weight of food is stated in pounds and ounces, the ounces must be converted to tenths (.1) of a pound.

| Weight of Food in Ounces | Enter Food Weight (tenths of a pound) |
|--------------------------|---------------------------------------|
| 1–2 | .1 |
| 3 | .2 |
| 4–5 | .3 |
| 6–7 | .4 |
| 8 | .5 |
| 9–10 | .6 |
| 11 | .7 |
| 12–13 | .8 |
| 14–15 | .9 |

Defrost By Time

Use Defrost By Time to defrost for a selected length of time.

1. Press the **Microwave** pad and select defrost.
2. Turn the selector dial to Defrost By Time. Press the selector dial to enter.
3. Turn the selector dial to select the time you want. Press the selector dial to enter.
4. Press the selector dial or **Start/Pause** pad to start defrosting.
5. Turn the food over when the oven signals Turn Food Over.

Power level is automatically set at 3, but can be changed. To change the power levels, see the Microwave Power Level(s) section. You can defrost small items quickly by raising the power level after entering the time. Power level 7 cuts the total defrosting time in about half; power level 10 cuts the total time to about 1/3. When defrosting at high power levels, food will need more frequent attention than usual.

Microwaving (Cont.)

Defrost By Weight

Use Defrost By Weight to defrost for a selected length of time.

1. Press the **Microwave** pad and select defrost.
2. Turn the selector dial to Defrost By Weight. Press the selector dial to enter.
3. Turn the selector dial to select the weight you want. Press the selector dial to enter.

4. Press the selector dial or Start/Pause pad to start defrosting.
5. Turn the food over when the oven signals Turn Food Over.

Power level cannot be changed during this setting.

1.0 lb. Quick Defrost

Use 1.0 lb. Quick Defrost for quick defrost of 1.0 lb. of frozen food.

1. Press the **Microwave** pad and select 1.0 Lb. quick defrost.
2. Press selector dial or **Start/Pause** pad to start defrosting. Press the selector dial to enter.

3. Turn the food over when the oven signals Turn Food Over.

Power level cannot be changed during this setting.

Defrosting Tips

- Foods frozen in paper or plastic can be time defrosted in the package, but foods should be taken out of the package when using Defrost By Food Type. Closed packages should be slit, pierced or vented **after** food has partially defrosted. Plastic storage containers should be partially uncovered.
- Family-size, prepackaged frozen dinners can be defrosted and microwaved. If the food is in a foil container, transfer it to a microwave-safe dish.
- Foods that spoil easily should not be allowed to sit out for more than one hour after defrosting. Room temperature promotes the growth of harmful bacteria.
- For more even defrosting of larger foods, such as roasts, use Defrost By Time. Be sure large meats are completely defrosted before cooking.
- When defrosted, food should be cool but softened in all areas. If still slightly icy, return to the microwave very briefly, or let it stand a few minutes.

Microwaving (Cont.)

Microwave Sensor Cooking

The sensor feature detects the increasing humidity released during cooking. The oven automatically adjusts the cooking time to various types and amounts of food.

Do not use the Sensor Features twice in succession on the same food portion—it may result in severely overcooked or burnt food. If food is undercooked after the first countdown, use Cook By Time for additional cooking time.

The proper containers and covers are essential for best sensor cooking.

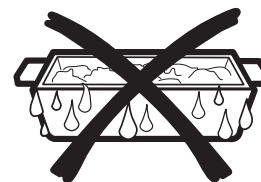
- Always use microwave-safe containers and cover them with lids or vented plastic wrap. Never use tight sealing plastic containers—they can prevent steam from escaping and cause food to overcook.
- Be sure the outside of the cooking containers and the inside of the oven are dry before placing food in the oven. Beads of moisture turning into steam can mislead the sensor.
- Beverages are best heated uncovered.



Covered



Vented



Dry off dishes so they don't mislead the sensor.

MICROWAVE SENSOR PROGRAMS:

- | | | |
|---------------|---|------------------------|
| ■ Ground Meat | ■ Vegetables (Canned, Fresh, Frozen) | ■ Plate of Food Reheat |
| ■ Popcorn | ■ Chicken Reheat | ■ Soup Reheat |
| ■ Soup | ■ Pasta Reheat | ■ Vegetable Reheat |
| ■ Rice | | |

To Use All Sensor Programs

Upper Oven microwave mode features sensor cooking. It automatically senses when food is done and shuts itself off—eliminating the need to program cook times and power levels.

1. Press the **Microwave** pad and turn the selector dial to Cook By Food Type or Reheat. Press the selector dial to enter.
2. Turn the selector dial to select the food you want. Press the selector dial to enter.
3. Press the selector dial or press the **Start/Pause** pad to start cooking.

Do not open the oven door until time is counting down in the display or the microwave stop cooking. If the door is opened, close it and press **Start/Pause** immediately. If the food is not done enough, use Cook By Time in the microwave selector to cook for more time.

NOTE: Do not use the Sensor Features twice in succession on the same food portion—it may result in severely overcooked or burnt food.

- If you have been speedcooking and the oven is already hot, it may indicate that it is too hot for sensor cooking. Of course, you can always continue with Cook By Time.

NOTE: If the oven is too hot then it will automatically change to time cooking.

- To shorten or lengthen the cook time, wait until the time countdown shows in the display. Then turn the selector dial to add or subtract time.
- If you open the door while Sensor Cooking, Sensor Error will appear. Close the door, press **Start/Pause** to begin again.

Notes about the Reheat program:

Reheated foods may have wide variations in temperature. Some areas may be extremely hot.

It is best to use Cook By Time and not Reheat for these foods:

- Bread products
- Food that must be reheated uncovered.
- Foods that need to be stirred or turned.
- Foods calling for a dry look or crisp surface after reheating.

Cooking Modes

Your new oven has a variety of cooking modes to help you get the best results. These modes are described below. Refer to the Cooking Guide section for recommendations for specific foods. Remember, your new oven may perform differently than the oven it is replacing.

Baking and Roasting Modes

Select a mode for baking and roasting based on the type and quantity of food you are preparing. When preparing baked goods such as cakes, cookies, and pastries always preheat the oven first. Follow recipe recommendations for food placement. If no guidelines are provided, center food in the oven.

Traditional Bake

The traditional bake mode is intended for single rack cooking. This mode uses heat primarily from the lower element but also from the upper element to cook food. To use this mode press the **Bake** pad, turn the selector dial to set the oven temperature and press to enter, then press **Start**. Preheating is generally recommended when using this mode.

Broiling Modes

Always broil with the door closed. The broil element in this oven is very powerful. Monitor food closely while broiling. Use caution when broiling on upper rack positions as placing food closer to the broil element increases smoking, spattering, and the possibility of fats igniting. **Broiling on rack position 6 is not recommended.**

Try broiling foods that you would normally grill. Adjust rack positions to adjust the intensity of the heat to the food. Place foods closer to the broil element when a seared surface and rare interior is desired. Thicker foods and foods that need to be cooked through should be broiled on a rack position farther from the broiler or by using Broil Lo. For best performance center food below the broil heating element.

Broil Hi

The Traditional Broil Hi mode uses intense heat from the upper element to sear foods. Use Broil Hi for thinner cuts of meat and/ or foods you prefer less done on the interior. To use this mode press the **Broil** pad, turn the selector dial to Hi and press to enter, and then press **Start**. It is not necessary to preheat when using this mode.

Broil Lo

The Traditional Broil Lo mode uses less intense heat from the upper element to cook food thoroughly while also producing surface browning. Use Broil Lo for thicker cuts of meat and/or foods that you would like cooked all the way through. To use this mode press the **Broil** pad, turn the selector dial to Lo and press to enter, and then press **Start**. It is not necessary to preheat when using this mode.

Proof

Proof mode is designed for rising (fermenting and proofing) bread dough. Press the **Options** pad, turn the selector dial to select Proof and press to select, then press **Start**. Cover dough well to prevent drying out. Bread will rise more rapidly than at room temperature. Note that for double wall ovens, proof cannot be run when running a clean mode in the lower oven.

Warm

Warm mode is designed to keep hot foods hot for up to 3 hours. To use this mode, press the **Options** pad, turn the selector dial to select Warm and press to select, then press **Start**. Cover foods that need to remain moist and do not cover foods that should be crisp. Preheating is not required. Do not use warm to heat cold food other than crisping crackers, chips or dry cereal. It is also recommended that food not be kept warm for more than 2 hours.

Sabbath Mode

Your new oven conforms to the Star-K Jewish Sabbath requirements with the Sabbath mode cooking feature. Below describes the detail of Sabbath mode feature.

To Enter Sabbath Mode

Press the lower oven **Options** pad and turn the selector dial to Sabbath and press to select. The display will show “During Sabbath Mode the upper oven is unavailable.” Press the selector dial to continue. Any upper oven features running will exit, and the lower oven will immediately transition into Sabbath mode.

To Change Temperature

Once in Sabbath mode, in order to change oven temperature or start a bake feature, the user can change temperature to one of 10 pre-set temperatures as indicated below:

| UI Key | Temp. (°F) |
|-------------------------------------|---------------------|
| Left Side Keys (Upper Oven) | |
| Microwave | 170 |
| Speed Cook/ Defrost | 200 |
| Cooking Options/ Popcorn | 225 |
| Add 30 Sec | 250 |
| Convection Bake/Reheat | 300 |
| Right Side Keys (Lower Oven) | |
| Back | 0 |
| Clear/Off | Cancels immediately |
| Light | 325 |
| Bake | 350 |
| Broil | 375 |
| Convection Bake/Warm | 400 |
| Options | 450 |

Changing to one of the above temperatures requires the user to press the keypad associated with the desired temperature and then press the **Start/Pause** pad. For example, to set a Bake 350°F, the user will press the **Bake** pad on the lower oven and then press **Start/Pause** pad.

The Bake feature will start (or if already running, the oven temperature will change) at a random time between 30 – 60 seconds after the **Start/Pause** pad is pressed, with the exception of pressing the **Clear/Off** pad, which will immediately cancel the cooking settings. (The unit will remain in Sabbath mode). Change of temperature may be executed at any time in the cooking cycle.

To Turn Oven Off

Press **Clear/Off** pad or **Back** and then **Start** pads at any time. The oven will immediately turn off but will stay in Sabbath mode and return to the standby Sabbath display screen.

To Exit Sabbath Mode

Press and hold the **Back** pad for 3 seconds. The oven will shut down at a random time between 30 – 60 seconds after the **Back** pad is pressed and held.

NOTE: Do not press any other pads during this time, or the Sabbath mode will be re-initialized and will not exit.

The oven will exit Sabbath mode and return to its default screen.

Timed Cook Feature In Sabbath Mode

The Sabbath mode is not capable of running a timed cook feature on its own. If there is a desire to run a Timed Cook, the following steps must be followed:

1. Use the **Settings** pad to set your Beeper Volume to Mute.
2. Use the **Light** pad to set your lower oven Light to On.
3. Use **Bake** to program a temperature. After programming a temperature select a cook time and enter your cook time. Press **Start** to start the oven. **NOTE:** Convection Bake should NOT be used.
4. Once the oven is started, do NOT open the door until the oven has finished preheating and reached a steady state temperature. Doing so prior to preheating completing will result in the air distribution fan de-energizing immediately upon door opening.
5. Once the food has been placed in the oven, do not open the door until cooking has completed. Doing so will result in the display on the screen changing to prompt you to close your door.
6. Do NOT open the upper oven door. Doing so will turn the light on immediately.
7. Do not press any additional buttons on the lower oven controls once started or the display will change immediately upon the button press.

NOTES

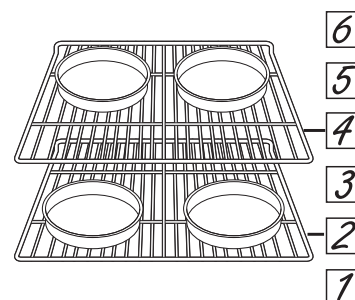
- During Sabbath mode only lower oven Bake is available. Broil, Convection Bake, Warm, or other functions are not available.
- When in Sabbath mode, the 12-hour auto shutoff is disabled regardless of the setting selected in the **Settings**.
- Sabbath mode can be entered only if no cooking mode is running in the lower oven. Entering the Sabbath Mode will cancel all functions in the lower and upper oven (including timer and reminder).
- When any buttons are pressed in Sabbath Mode, there are no beeps or tones, no changes to lights or change in the display. Also, when the door is opened or closed in Sabbath Mode, there are no beeps or tones, no changes to lights or change in the display.
- If a power outage occurs during Sabbath mode baking, the unit will return to Sabbath Mode when power comes back, but will not return in the baking mode.

Cooking Guide

| FOOD TYPE | RECOMMENDED MODE(S) | RECOMMENDED RACK POSITION(S) | ADDITIONAL SUGGESTIONS |
|--|---------------------|--|--|
| Baked Goods | | | |
| Layer cakes, sheet cakes, bundt cakes, muffins, quick breads on a Single Rack | Bake | 3 | Use shiny cookware. |
| Layer cakes* on Multiple Racks | Bake | 2 and 4 | Ensure adequate airflow (see illustration below). |
| Chiffon cakes (angel food) | Bake | 1 | Use shiny cookware. |
| Cookies, biscuits, scones on a Single Rack | Bake | 3 | Use shiny cookware. |
| Cookies, biscuits, scones on Multiple Racks | Bake | 2 and 4 | For foods like sugar cookies, switch food location partially through cooking for more even cooking results between racks. Ensure adequate airflow. |
| Beef & Pork | | | |
| Hamburgers | Broil Hi | 5 | Use a broil pan; move food down for more doneness/less searing. Watch food closely when broiling. For best performance center food below the broil heating element. |
| Steaks & Chops | Broil Hi | 5 | Use a broil pan; Move food down for more doneness/less searing. Watch food closely when broiling. For best performance center food below the broil heating element. |
| Roasts | Bake | 2 or 3 | Leave uncovered, use a low sided pan such as a broil pan. Preheating is not necessary. |
| Poultry | | | |
| Whole chicken | Bake | 2 or 3 | Use a low sided pan such as a broil pan. |
| Bone-in chicken breasts, legs, thighs | Broil Hi | 1 | If breaded or coated in sauce avoid Broil Hi modes. Broil skin side down first. Watch food closely when broiling. For best performance when broiling, center food below the broil heating element. |
| | Broil Lo Bake | 3 | |
| Boneless chicken breasts | Broil Lo Bake | 1 (broil) or 3 | Move food down for more doneness/less searing and up for greater searing/browning when broiling. For best performance when broiling, center food below the broil heating element. |
| Whole turkey | Bake | 1 or 2 | Use a low sided pan such as a broil pan. |
| Turkey breast | Bake | 2 or 3 | Use a low sided pan such as a broil pan. |
| Fish | Broil Lo | 5 (1/2 thick or less) 4 (>1/2 inch) | Watch food closely when broiling. For best performance center food below the broil heating element. |
| Casseroles | Bake | 3 | |
| Frozen Convenience Foods | | | |
| Pizza, french fries, tator tots, chicken nuggets, appetizers on a Single Rack | Bake | 3 | Use shiny cookware. |
| Pizza, french fries, tator tots, chicken nuggets, appetizers on Multiple Racks | Bake | 2 and 4 | Use shiny cookware. Switch food location partially through cooking for more even cooking results. |

*When baking four cake layers at a time, use racks 2 and 4. Place the pans as shown so that one pan is not directly above another.

Cook food thoroughly to help protect against food borne illness. Minimum safe food temperature recommendations for food safety can be found at IsItDoneYet.gov. Make sure to use a food thermometer to take food temperatures.



Racks

Your oven has six rack positions. Recommended rack positions for various types of foods are provided in the Cooking Guide. Adjusting rack position is one way to impact cooking results. For example, if you would prefer darker tops on cakes, muffins, or cookies, try moving food one rack position higher. If you find foods are too brown on top try moving them down next time.

When baking with multiple pans and on multiple racks, ensure there is sufficient space between pans to allow air to flow.

Flat Racks

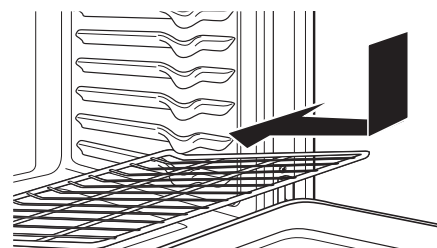
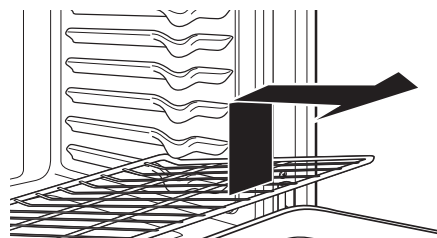
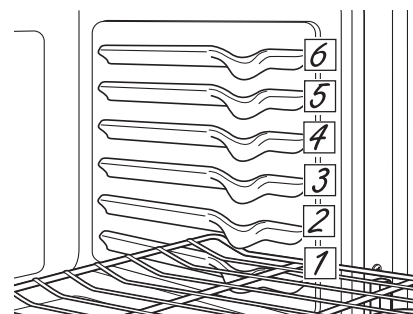
When placing and removing cookware, pull the rack out to the bump (stop position) on the rack support.

To remove a rack, pull it toward you, tilt the front end up and pull it out.

To replace, place the curved end of the rack (stop-locks) onto the oven supports, tilt up the front of the rack and push the rack in.

Racks may become difficult to slide, especially after a self-clean. Put some vegetable oil on a soft cloth or paper towel and rub onto the left and right edges.

Note: Using other cooking oils will cause a discoloring or a rust like color residue on the racks and cavity sides. To clean this residue, use a soap and water or a vinegar and water solution. Rinse with clean water and dry with a soft cloth.



Aluminum Foil and Oven Liners

CAUTION Do not use any type of foil or oven liner to cover the oven bottom. These items can trap heat or melt, resulting in damage to the product and risk of shock, smoke or fire. Damage from improper use of these items is not covered by the product warranty.

Foil may be used to catch spills by placing a sheet on a lower rack, several inches below the food. Do not use more foil than necessary and never entirely cover an oven rack with aluminum foil. Keep foil at least 1-1/2" from oven walls to prevent poor heat circulation.

Cookware

Cookware Guidelines

The material, finish, and size of cookware affect baking performance.

Dark, coated and dull pans absorb heat more readily than light, shiny pans. Pans that absorb heat more readily can result in a browner, crisper, and thicker crust. If using dark and coated cookware check food earlier than minimum cook time. If undesirable results are obtained with this type of cookware consider reducing oven temperature by 25° F next time.

Shiny pans can produce more evenly cooked baked goods such as cakes and cookies.

Glass and ceramic pans heat slowly but retain heat well. These types of pans work well for dishes such as pies and custards.

Air insulated pans heat slowly and can reduce bottom browning.

Keep cookware clean to promote even heating.

Cleaning The Oven

Be sure electrical power is off and all surfaces are cool before cleaning any part of the oven.

Helpful Hints

An occasional thorough wiping with a solution of baking soda and water keeps the inside fresh. Also we recommend against using cleaners with ammonia or alcohol, as they can damage the appearance of the oven. If you choose to use a common household cleaner, first apply the cleaner directly to a clean cloth, then wipe the soiled area.

Control Panel

It's a good idea to wipe the control panel after each use. Clean with mild soap and water or vinegar and water, rinse with clean water and polish dry with a soft cloth.

Do not use abrasive cleansers, strong liquid cleansers, plastic scouring pads or oven cleaners on the control panel—they will damage the finish.

Oven Exterior

Do not use oven cleaners, abrasive cleansers, strong liquid cleansers, steel wool, plastic scouring pads, or cleaning powders on the interior or exterior of the oven. Clean with a mild soap and water or vinegar and water solution. Rinse with clean water and dry with a soft cloth.

When cleaning surfaces, make sure that they are at room temperature and not in direct sunlight.

If stain on the door vent trim is persistent, use a mild abrasive cleaner and a sponge-scrubber for best results.

Spillage of marinades, fruit juices, tomato sauces and basting liquids containing acids may cause discoloration and should be wiped up immediately. Let hot surfaces cool, then clean and rinse.

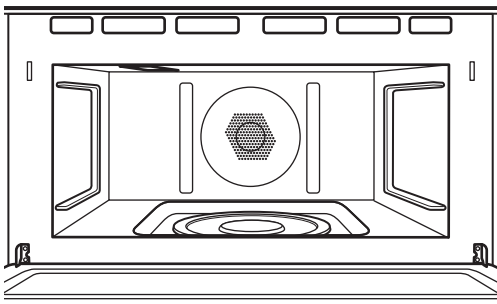
Stainless Steel Surfaces (on some models)

Do not use a steel wool pad; it will scratch the surface.

To clean the stainless steel surface, use warm sudsy water or a stainless steel cleaner or polish. Always wipe the surface in the direction of the grain. Follow the cleaner instructions for cleaning the stainless steel surface.

To inquire about purchasing cleaning products including stainless steel appliance cleaner or polish, see the Accessories and Consumer Support sections at the end of this manual.

How To Clean The Upper Oven Interior



Walls, Floor, Inside Window, Metal and Plastic Parts on the Door

Clean the inside of the oven often for proper heating performance.

Some spatters can be removed with a paper towel, others may require a warm soapy cloth. Remove greasy spatters with a sudsy cloth; then rinse with a damp cloth.

Do not use abrasive cleaners or sharp utensils on oven walls.

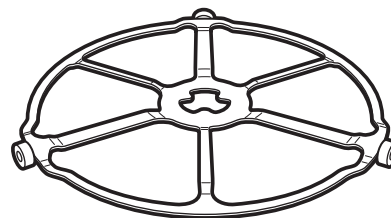
Never use a commercial oven cleaner on any part of your oven.

Do not clean the inside of the oven with metal scouring pads. Pieces can break off the pad, causing electrical shock.

Door Seal

It's important to keep the area clean where the door seals against the oven. Use only mild, nonabrasive detergents applied with a clean sponge or soft cloth. Rinse well.

Removable Turntable



Turntable

Do not use the oven without the turntable in place.

The area underneath the turntable should be cleaned frequently to avoid odors and smoking during a cooking cycle.

The turntable can be broken if dropped. Wash carefully in warm, sudsy water. Dry completely and replace.

To replace the turntable, place its center over the spindle in the center of the oven and turn it until it seats into place. (Make sure the smooth side of the turntable is facing up and that its center seats securely on the spindle.)

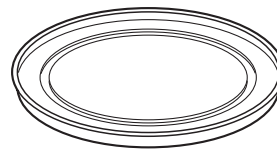
Cleaning The Oven (Cont.)

How To Clean The Upper Oven Interior (Cont.)

Cooking Trays And Baking Sheet

To prevent breakage, allow the trays to cool completely before cleaning. Wash carefully in warm, sudsy water or in the dishwasher.

Do not use metal scouring pads or abrasives, as they may damage the finish. A soap-filled scouring pad may be used to clean the trays.



Clear glass tray for microwaving

How To Clean The Lower Oven Interior

The interior of your new oven can be cleaned manually or by using the Steam Clean or Self Clean modes.

Spillage of marinades, fruit juices, tomato sauces and basting liquids containing acids may cause discoloration and should be wiped up immediately. Let hot surfaces cool, then clean and rinse.

Manual Cleaning

Do not use oven cleaners, abrasive cleaners, strong liquid cleansers, steel wool, scouring pads, or cleaning powders on the interior of the oven. Clean with a mild soap and water or vinegar and water solution. Rinse with clean water and dry with a soft cloth. When cleaning surfaces, make sure that they are at room temperature.

Steam Clean Mode

Steam clean is intended to clean small spills using water and a lower cleaning temperature than Self Clean.

To use the Steam Clean feature, wipe grease and soils from the oven. Pour one cup of water into the bottom of the oven. Close the door. Press the **Options** pad, select Steam Clean, and then press **Start**. The oven door will lock. You can not open the door during the 30 minute steam clean as this will decrease the steam clean performance. At the end of the steam clean cycle the door will unlock. Wipe out any excess water and any remaining soil.

Flat Racks

Flat racks can be left in the cavity during self-clean (if enameled racks, not shiny) or can be washed with warm, soapy water.

Racks may be more difficult to slide, especially after a self-clean. Put some vegetable oil on a soft cloth or paper towel and rub onto the left and right edges.

Self Clean Mode

Read Self-Cleaning Oven Safety Instructions at the beginning of this manual before using Self Clean Mode. Self-clean uses very high temperatures to clean the oven interior. The oven door will lock when using this feature. Before operating the self-clean cycle, wipe up grease and soils from the oven. Remove all items from the oven other than enameled (dark color) racks. Shiny or silver racks and any cookware or other items should all be removed from the oven before initiating a self-clean cycle. Close the door. Press the **Options** pad, select Self Clean, and a default self-clean time is displayed. The clean time can be changed to 3:00, 4:00, or 5:00 hours by using the selector dial. For heavily soiled ovens, the maximum 5 hour clean time is recommended. If you wish to use the default time, press the **Start** pad immediately after selecting the Self Clean. The oven will turn off automatically when the self-clean cycle is complete. The door will stay locked until the oven has cooled down. After the oven has cooled down wipe any ash out of the oven.

IMPORTANT: The health of some birds is extremely sensitive to the fumes given off during the self-cleaning cycle of any range. Move birds to another well-ventilated room.

NOTE: Using other cooking oils will cause a discoloring or a rust like color residue on the racks and cavity sides. To clean this residue, use a soap and water or a vinegar and water solution. Rinse with clean water and dry with a soft cloth.

Lower Oven Maintenance

⚠ WARNING SHOCK OR BURN HAZARD: Before replacing oven light bulb, disconnect the electrical power to the range at the main fuse or circuit breaker panel. Failure to do so may result in electric shock or burn.

⚠ CAUTION BURN HAZARD: The glass cover and bulb should be removed when cool. Touching hot glass with bare hands or a damp cloth can cause burns.

Lower Oven Light Replacement

1. Disconnect power at the main fuse or circuit breaker panel.
2. Remove oven racks.
3. Slide a flat blade screwdriver between the housing and the glass light cover.
4. Support the glass light cover with two fingers to prevent the cover from falling to the bottom of the oven. Be careful not to chip the oven coating.
5. Gently twist the screwdriver blade to loosen the glass light cover.
6. Remove the glass light cover.
7. Remove the bulb by firmly grasping and sliding the bulb straight out until the two prongs have cleared the ceramic holder.
8. Do not touch the glass of the new replacement bulb with your fingers. It will cause the bulb to fail when it lights. Grasp the replacement bulb with a clean towel or facial tissue with the prongs facing down. Align the two prongs in the ceramic holder, pressing gently until the bulb is securely in the ceramic socket.
9. Slide the protective lens into the holder and push until the clips snap into the housing.
10. Reconnect power.

Oven Door

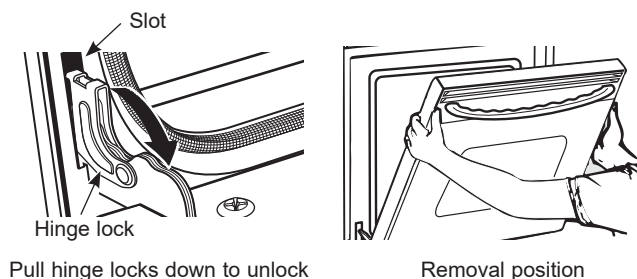
Lift-Off Lower Oven Door

The door is very heavy. Be careful when removing and lifting the door.

Do not lift the door by the handle.

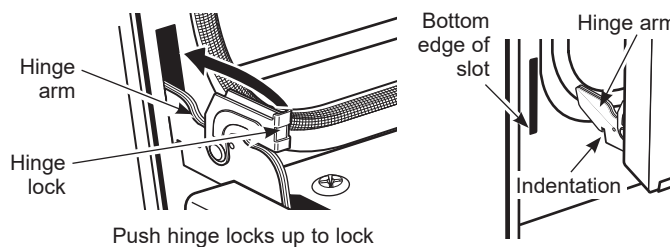
To remove the door:

1. Fully open the door.
2. Pull the hinge locks down toward the door frame, to the unlocked position. A tool, such as a small flat-blade screwdriver, may be required.
3. Firmly grasp both sides of the door at the top.
4. Close door to the door removal position. The door should be open approximately 3" with no obstruction above the door.
5. Lift door up and out until both hinge arms are clear of the slots.



To replace the door:

1. Firmly grasp both sides of the door at the top.
2. Starting on the left side, with the door at the same angle as the removal position, seat the indentation of the hinge arm into the bottom edge of the hinge slot. The notch in the hinge arm must be fully seated into the bottom of the slot. Repeat for right side.
3. Fully open the door. If the door will not fully open, the indentation is not seated correctly in the bottom edge of the slot.
4. Push the hinge locks up against the front frame of the oven cavity, to the locked position.
5. Close the oven door.



Troubleshooting tips ... Before you schedule service

Save time and money! Review the charts on the following pages first and you may not need to schedule service.

| Problem | Possible Cause | What To Do |
|---|--|--|
| FAN | | |
| Fan continues to run after cooking stops | The oven is cooling. | The fan will automatically shut off when the internal parts of the oven have cooled. |
| Oven vent emits warm air while oven is on | This is normal. | |
| Fan comes on automatically when using the microwave | This is normal. | |
| COOKING | | |
| The oven makes unusual sounds while cooking | Clicks and fans blowing are normal. The relay board is turning the components on and off. | These sounds are normal. |
| Smoke comes out of the oven when I open the door | Food is high in fat content. Aerosol spray used on the pans. | Smoke is normal when cooking high-fat foods. |
| Food is not fully cooked or browned at the end of a cooking program | Programmed times may not match the size or amount of food you are cooking. | Adjust time for doneness or adjust the upper or lower lamps for browning and doneness. |
| SENSOR ERROR displayed along with an oven signal | Food amount or type placed in the oven does not match the program that was set. | Press the Clear/Off pad. Set the oven program to match the food or liquid to be cooked or heated. |
| | Steam was not sensed by the oven because plastic wrap was not vented, a lid too tight was on the dish or a liquid was covered. | Vent plastic wrap, use a looser lid or uncover liquids when cooking or heating. |
| DISPLAY | | |
| The display is blank | Power saver mode may be activated. | Check the Settings menu for clock display settings. Turn the display on. |
| | A fuse in your home may be blown or the circuit breaker tripped. | Replace the fuse or reset the circuit breaker. |
| | Power outage or surge | Reset the clock. If the oven was in use, you must reset it by pressing the Clear/Off pad, setting the clock and resetting any cooking function. |
| “Control is LOCKED” appears in display | The control has been locked. | Press and hold Settings pad for 3 seconds to unlock the control. |
| Control display is lit yet oven will not start | Clock is not set. | Set the clock. |
| | Door not securely closed. | Open the door and close securely. |
| | Start/Pause pad or selector dial not pressed after entering cooking selection. | Press Start/Pause pad or selector dial. |
| | Another selection already entered in oven and Clear/Off pad not pressed to cancel it. | Press Clear/Off pad. |
| | Size, quantity or cooking time not entered after final selection. | Make sure you have entered cooking time after selecting. |
| | Clear/Off pad was pressed accidentally. | Reset cooking program and press Start/Pause pad. |

Troubleshooting tips ... Before you schedule service

| Problem | Possible Cause | What To Do |
|---|--|--|
| OTHER PROBLEMS | | |
| The door and inside of the oven feels hot | The heat lamps produce intense heat in a small space. | This is normal. Use oven mitts to remove food when ready. |
| Oven will not start | A fuse in your home may be blown or the circuit breaker tripped. | Replace fuse or reset circuit breaker. |
| Cannot edit cooking features | Some pre-programmed cooking features may not be able to be edited to prevent degradation of cooking performance. | This is normal. |
| The pads on one side of the control do not function | The control has locked out the use of these pads and need to be reset. | Press and hold the Clear/Off pad on the other side of the display for 30 seconds. If this does not reset the control, it may be necessary to cycle the circuit breaker. |

Troubleshooting tips ... Before you schedule service

| Problem | Possible Cause | What To Do |
|---|---|---|
| My new oven doesn't cook like my old one. Is something wrong with the temperature settings? | Your new oven has a different cooking system from your old oven and therefore may cook differently than your old oven. | For the first few uses, follow your recipe times and temperatures carefully. If you still think your new oven is too hot or too cold, you can adjust the temperature yourself to meet your specific cooking preference. NOTE: This adjustment affects Bake temperatures; it will not affect Broil or Clean. |
| Food does not bake properly | Oven controls improperly set. | See the Cooking Modes section. |
| | Rack position is incorrect or rack is not level. | See the Cooking Modes section and Cooking Guide. |
| | Incorrect cookware or cookware of improper size being used. | See the Cookware section. |
| | Oven temperature needs adjustment. | See the Settings section. |
| | Ingredient substitution | Substituting ingredients can change the recipe outcome. |
| Food does not broil properly | Oven controls improperly set. | Make sure you select the appropriate broil mode. |
| | Improper rack position being used. | See Cooking Guide for rack location suggestions. |
| | Food being cooked in a hot pan. | Make sure cookware is cool. |
| | Cookware not suited for broiling. | Use a pan specifically designed for broiling. |
| | Aluminum foil used on the broiling pan and grid has not been fitted properly and slit as recommended. | If using aluminum foil conform to pan slits. |
| | In some areas the power (voltage) may be low. | Preheat the broil element for 10 minutes. |
| Oven temperature too hot or too cold | Oven temperature needs adjustment. | See the Settings section. |
| Oven does not work or appears not to work | A fuse in your home may be blown or the circuit breaker tripped. | Replace the fuse or reset the circuit breaker. |
| | Oven controls improperly set. | See the Using the Oven section. |
| | Oven is in Sabbath Mode. | Verify, that the oven is not in Sabbath Mode. See the Sabbath Mode section. |
| "Crackling" or "popping" sound | This is the sound of the metal heating and cooling during both the cooking and cleaning functions. | This is normal. |
| Why is my range making a "clicking" noise when using my oven? | Your range has been designed to maintain a tighter control over your oven's temperature. You may hear your oven's heating elements "click" on and off more frequently than in older ovens to achieve better results during baking, broiling, convection, and self-clean cycles. | This is normal. |
| Clock and timer do not work | A fuse in your home may be blown or the circuit breaker tripped. | Replace the fuse or reset the circuit breaker. |
| Oven light does not work | Light bulb is loose or defective. | Tighten or replace bulb. |
| | Pad operating light is broken. | Call for service. |
| Oven will not self-clean | The temperature is too high to set a self-clean operation. | Allow the oven to cool and reset the controls. |
| | Oven controls improperly set. | See the Cleaning the Oven section. |
| Excessive smoking during clean cycle | Excessive soil or grease. | Press the Clear/Off pad. Open the windows to rid the room of smoke. Wait until the OVEN IS COOLING DOOR IS LOCKED display goes off. Wipe up the excess soil and reset the clean cycle. |
| Excessive smoking during broiling | Food too close to burner element. | Lower the rack position of the food. |
| Oven door will not open after a clean cycle | Oven too hot. | Allow the oven to cool below locking temperature. |

Troubleshooting tips ... Before you schedule service

| Problem | Possible Cause | What To Do |
|---|---|--|
| Oven not clean after a clean cycle | Oven controls improperly set. | See the Cleaning the Oven section. |
| | Oven was heavily soiled. | Clean up heavy spillovers before starting the clean cycle. Heavily soiled ovens may need to self-clean again or for a longer period of time. |
| "CLOSE DOOR TO CONTINUE COOKING" show on display section | The door is open during a cooking or cleaning feature. | Close the oven door. |
| "OVEN IS COOLING DOOR IS LOCKED" show on display section | The oven door is locked because the temperature inside the oven has not dropped below the unlocking temperature. | Press the Clear/Off pad. Allow the oven to cool. |
| An oven error and "SERVICE MAY BE NEEDED" show in the display | You have a function error code. | Press the Clear/Off pad. Allow the oven to cool for one hour. Put the oven back into operation. |
| | If the function code repeats. | Disconnect all power to the oven for at least 30 seconds and then reconnect power. If the function error code repeats, call for service. |
| "Burning" or "oily" odor emitting from the vent | This is normal in a new oven and will disappear in time. | To speed the process, set a self-clean cycle for a minimum of 3 hours. See the Cleaning the Oven section. |
| Strong odor | An odor from the insulation around the inside of the oven is normal for the first few times the oven is used. | This is temporary and will go away after several uses or a self-clean cycle. |
| Fan noise | A cooling fan may automatically turn on. | This is normal. The cooling fan will turn on to cool internal parts. It may run for up to 1-1/2 hours after the oven is turned off. |
| My oven door glass appears to be "tinted" or have a "rainbow" color. Is this defective? | No. The inner oven glass is coated with a heat barrier to reflect the heat back into the oven to prevent heat loss and keep the outer door cool while baking. | This is normal. Under certain light or angles, you may see this tint or rainbow color. |
| Sometimes the oven takes longer to preheat to the same temperature | Cookware or food in oven | The cookware or food in the oven will cause the oven to take longer to preheat. Remove items to reduce preheat time. |
| | Number of racks in oven | Adding more racks to the oven will cause the oven to take longer to preheat. Remove some racks. |

Notes

Notes

GE Appliances Limited Warranty

GEAppliances.com

All warranty service is provided by our Factory Service Centers, or an authorized Customer Care® technician. To schedule service online, visit us at GEAppliances.com/service, or call GE Appliances at 800.GE.CARES (800.432.2737). Please have your serial number and your model number available when calling for service.

Servicing your appliance may require the use of the onboard data port for diagnostics. This gives a GE Appliances factory service technician the ability to quickly diagnose any issues with your appliance and helps GE Appliances improve its products by providing GE Appliances with information on your appliance. If you do not want your appliance data to be sent to GE Appliances, please advise your technician not to submit the data to GE Appliances at the time of service.

| For the period of | GE Appliances will replace |
|---|---|
| One year From the date of the original purchase | Any part of the range which fails due to a defect in materials or workmanship. During this limited one-year warranty , GE Appliances will provide, free of charge , all labor and in-home service to replace the defective part. |

What GE Appliances will not cover:

- Service trips to your home to teach you how to use the product.
- Improper installation, delivery or maintenance.
- Failure of the product if it is abused, misused, modified or used for other than the intended purpose or used commercially.
- Replacement of house fuses or resetting of circuit breakers.
- Damage to the product caused by accident, fire, floods or acts of God.
- Incidental or consequential damage caused by possible defects with this appliance.
- Damage caused after delivery.
- Product not accessible to provide required service.
- Service to repair or replace light bulbs, except for LED lamps.

EXCLUSION OF IMPLIED WARRANTIES

Your sole and exclusive remedy is product repair as provided in this Limited Warranty. Any implied warranties, including the implied warranties of merchantability or fitness for a particular purpose, are limited to one year or the shortest period allowed by law.

Staple your receipt here. Proof of the original purchase date is needed to obtain service under the warranty.

This limited warranty is extended to the original purchaser and any succeeding owner for products purchased for home use within the USA. If the product is located in an area where service by a GE Appliances Authorized Servicer is not available, you may be responsible for a trip charge or you may be required to bring the product to an Authorized GE Appliances Service location for service. In Alaska, the limited warranty excludes the cost of shipping or service calls to your home.

Some states do not allow the exclusion or limitation of incidental or consequential damages. This limited warranty gives you specific legal rights, and you may also have other rights which vary from state to state. To know what your legal rights are, consult your local or state consumer affairs office or your state's Attorney General.

Warrantor: GE Appliances, a Haier company

Louisville, KY 40225

Extended Warranties: Purchase a GE Appliances extended warranty and learn about special discounts that are available while your warranty is still in effect. You can purchase it online anytime at

GEAppliances.com/extended-warranty

or call 800.626.2224 during normal business hours. GE Appliances Service will still be there after your warranty expires.

Accessories

Looking For Something More?

GE Appliances offers a variety of accessories to improve your cooking and maintenance experiences!

To place an order visit us online at:

www.GEApplianceParts.com (U.S.) or www.GEAppliances.ca (Canada)

or call 800.626.2002 (U.S.) 800.661.1616 (Canada)

The following products and more are available:

Accessories

Small Broiler Pan (8 ¾" x 1 ¼" x 13 ½")

Large* Broiler Pan (12 ¾" x 1 ¼" x 16 ½")

XL** Broiler Pan (17" x 1 ¼" x 19 1/4")

Parts

Glass Tray

Turntable

Oven Racks

Oven Elements

Light Bulbs

Cleaning Supplies

16 oz. Micro Bryte® Appliance Cleaner

CitruShine™ Stainless Steel Wipes

CERAMA BRYTE® Stainless Steel Appliance Cleaner

Graphite Lubricant

*The large broiler pan does not fit in 20"/24" ranges.

**The XL broiler pan does not fit in 24" wall ovens, 27" drop ins or 20"/24" ranges

Consumer Support

GE Appliances Website

Have a question or need assistance with your appliance? Try the GE Appliances Website 24 hours a day, any day of the year! You can also shop for more great GE Appliances products and take advantage of all our on-line support services designed for your convenience. In the US: GEAppliances.com

Register Your Appliance

Register your new appliance on-line at your convenience! Timely product registration will allow for enhanced communication and prompt service under the terms of your warranty, should the need arise. You may also mail in the pre-printed registration card included in the packing material. In the US: GEAppliances.com/register

Schedule Service

Expert GE Appliances repair service is only one step away from your door. Get on-line and schedule your service at your convenience any day of the year. In the US: GEAppliances.com/service or call 800.432.2737 during normal business hours.

Extended Warranties

Purchase a GE Appliances extended warranty and learn about special discounts that are available while your warranty is still in effect. You can purchase it on-line anytime. GE Appliances Services will still be there after your warranty expires. In the US: GEAppliances.com/extended-warranty or call 800.626.2224 during normal business hours.

Remote Connectivity

For assistance with wireless network connectivity (for models with remote enable), visit our website at GEAppliances.com/connect or call 800.220.6899 in the US.

Parts and Accessories

Individuals qualified to service their own appliances can have parts or accessories sent directly to their homes (VISA, MasterCard and Discover cards are accepted). Order on-line today 24 hours every day. In the US: GEApplianceparts.com or by phone at 877.959.8688 during normal business hours.

Instructions contained in this manual cover procedures to be performed by any user. Other servicing generally should be referred to qualified service personnel. Caution must be exercised, since improper servicing may cause unsafe operation.

Contact Us

If you are not satisfied with the service you receive from GE Appliances, contact us on our Website with all the details including your phone number, or write to:

In the US: General Manager, Customer Relations | GE Appliances, Appliance Park | Louisville, KY 40225
GEAppliances.com/contact



HORNO DE PARED

Incorporado con Combinación Microondas/ Térmico

INFORMACIÓN DE SEGURIDAD 3

USO DE LA COCINA

Unidades de superficie 8

Controles del Horno..... 9

Funciones Especiales..... 10

Estantes del Horno..... 11

Papel de Aluminio y Cobertores del Horno..... 11

Utensilios..... 12

Modos de Cocción..... 12

Guía de Cocción..... 13

CUIDADO Y LIMPIEZA

Limpieza de la Cocina - Exterior..... 14

Limpieza de la Cocina - Interior..... 16

Luz del Horno..... 17

Puerta del Horno..... 17

CONSEJOS PARA LA SOLUCIÓN DE PROBLEMAS 18

GARANTÍA LIMITADA..... 22

ACCESORIOS..... 23

SOPORTE PARA EL CONSUMIDOR..... 24

MANUAL DEL PROPIETARIO

Horno de Pared Doble JT3800 de 30”
Horno de Pared Doble JK3800 de 27”

Escriba los números de modelo y de serie aquí:

Nº de Modelo _____

Nº de Serie _____

Los podrá encontrar en una etiqueta en el borde lateral o en el frente del horno detrás de la puerta del horno

GRACIAS POR HACER QUE GE APPLIANCES SEA PARTE DE SU HOGAR.

Ya sea que haya crecido usando GE Appliances, o que ésta es su primera vez, nos complace tenerlo en la familia.

Sentimos orgullo por el nivel de arte, innovación y diseño de cada uno de los electrodomésticos de GE Appliances, y creemos que usted también. Entre otras cosas, el registro de su electrodoméstico asegura que podamos entregarle información importante del producto y detalles de la garantía cuando los necesite.

Registre su electrodoméstico GE ahora a través de Internet. Sitios Web y números telefónicos útiles están disponibles en la sección de Soporte para el Consumidor de este Manual del Propietario.

También puede enviar una carta en la tarjeta de inscripción preimpresa que se incluye con el material embalado.



GE APPLIANCES

INFORMACIÓN IMPORTANTE DE SEGURIDAD

LEA TODAS LAS INSTRUCCIONES ANTES DE USAR

PRECAUCIONES PARA EVITAR LA POSIBLE EXPOSICIÓN A ENERGÍA DE MICROONDAS EXCESIVA

- (a) **No intente hacer** funcionar el horno con la compuerta abierta ya que ésto puede provocar exposición peligrosa a la energía de microondas. Es importante no forzar ni dañar los seguros.
- (b) **No coloque** ningún objeto entre la parte frontal del horno y la compuerta, ni permita que se acumulen residuos de producto limpiador o detergente, suciedad o polvo en las superficies de sellado.
- (c) **No haga funcionar** el horno si se encuentra dañado. Es particularmente importante cerrar bien la compuerta del horno y que no haya daños en:
 - (1) la compuerta (doblada o curvada),
 - (2) las bisagras y pestillos (rotos o flojos),
 - (3) sellos de la compuerta y superficies de sellado.
- (d) **El horno no debe** ser ajustado o reparado por ninguna persona, excepto por personal de mantenimiento calificado.

Para reducir el riesgo de quemaduras, descargas eléctricas, incendio, lesiones o exposición a energía de microondas excesiva:

▲ ADVERTENCIA INSTRUCCIONES GENERALES DE SEGURIDAD

- Lea todas las instrucciones antes de utilizar este aparato. Cuando utilice aparatos eléctricos, se deben seguir las precauciones de seguridad básicas, entre las que se incluyen las siguientes:
- Lea y siga las precauciones específicas descritas en la sección PRECAUCIONES PARA EVITAR LA POSIBLE EXPOSICIÓN A ENERGÍA DE MICROONDAS EXCESIVA.
- Asegúrese que su aparato esté instalado y puesto a tierra apropiadamente por un técnico calificado de acuerdo a las instrucciones de instalación suministradas.
- Instale o ubique este aparato únicamente de acuerdo a las instrucciones de instalación suministradas.
- Algunos productos tales como huevos enteros y contenedores sellados (por ejemplo, frascos sellados) son propensos a explotar y no deben calentarse en este horno. Tal uso del horno puede resultar en lesiones personales.
- No monte este aparato sobre el fregadero.
- Este horno no ha sido aprobado ni probado para utilización marina.
- Este horno está listado por UL para la instalación de pared estándar.
- No haga funcionar este aparato si ha sido dañado o dejado caer.
- Como con cualquier aparato, cuando sea utilizado por niños es necesaria una estrecha vigilancia.
- Utilice este aparato solamente para el fin previsto, como se describe en este manual.
- No utilice químicos ni vapores corrosivos en este aparato.
- Este horno está específicamente diseñado para calentar, secar o cocinar alimentos y bebidas y no está diseñado para usarse en un laboratorio ni para uso industrial.
- Sólo personal calificado debe reparar este aparato. Póngase en contacto con el centro de mantenimiento autorizado más cercano en caso de necesitar revisión, reparación o ajuste.
- No cubra ni bloquee ninguna apertura de este aparato.
- No almacene este aparato al aire libre. No utilice este producto cerca del agua; por ejemplo, en un sótano húmedo, cerca de una piscina, cerca de un lavabo o lugares similares.
- Consulte las instrucciones de limpieza de la superficie de la puerta en la sección de Mantenimiento y limpieza del horno de este manual.

GUARDE ESTAS INSTRUCCIONES

INFORMACIÓN IMPORTANTE DE SEGURIDAD

LEA TODAS LAS INSTRUCCIONES ANTES DE USAR ESTE

▲ADVERTENCIA INSTRUCCIONES GENERALES DE SEGURIDAD (Cont.)

- Para reducir el riesgo de incendio dentro del horno:
 - No cocine excesivamente los alimentos. Vigile cuidadosamente el aparato cuando se coloque papel, plástico u otros materiales combustibles dentro del microondas mientras se cocina.
 - Quite las tiritas de seguridad (twist-ties) y asas metálicas de los recipientes de papel o plástico antes de colocarlos dentro del microondas.
 - No utilice el horno para propósitos de almacenamiento. No deje productos de papel, utensilios de cocina ni comestibles dentro del horno cuando no se utilicen.
 - Si los materiales que se encuentran dentro del horno prenden fuego, mantenga la compuerta del microondas cerrada, apague el horno y corte el suministro eléctrico a nivel del fusible o del panel de interruptores de su hogar. Puede propagar el fuego si abre la compuerta del microondas.
 - No utilice las funciones del sensor dos veces sucesivamente en la misma porción de alimento. Si el alimento no se cocina completamente después del primer conteo regresivo, utilice la función COOK BY TIME (COCINAR POR TIEMPO) para permitir tiempo de cocción adicional.
- No haga funcionar el horno sin tener colocada en su lugar la base giratoria. La base giratoria debe estar libre de bloqueos para poder girar.
- Entre las superficies potencialmente calientes se incluye la compuerta, base, paredes, parrilla y base giratoria del horno.
- No descongele bebidas en botellas con cuellos angostos (especialmente bebidas gaseosas/carbonatadas). Incluso si el recipiente se encuentra abierto, se puede acumular presión. Esto puede ocasionar que el recipiente explote, dando posiblemente como resultando una lesión.
- Los alimentos cocinados en líquidos (tales como la pasta) pueden tener la tendencia de hervir más rápidamente que los alimentos que contienen menos humedad. En caso de que ocurra esto, consulte la sección de Mantenimiento y limpieza del horno para las instrucciones de cómo limpiar el interior del horno.
- Los alimentos calientes y el vapor pueden provocar quemaduras. Tenga cuidado al abrir cualquier tipo de recipiente que contenga alimentos calientes, incluyendo bolsas de palomitas de maíz, bolsas y cajas de cocina. Para prevenir la posibilidad de lesiones, dirija el vapor en dirección contraria a las manos y el rostro.
- No cocine las papas excesivamente. Pueden deshidratarse y provocar fuego, causando daños al horno.
- Evite calentar los alimentos para bebé en frascos de vidrio, incluso sin la tapa. Asegúrese de cocinar bien toda la comida del bebé. Remueva los alimentos para distribuir el calor uniformemente. Tenga cuidado de evitar las escaldaduras al calentar la fórmula. El recipiente puede sentirse más frío de lo que la fórmula realmente está. Revise siempre la fórmula antes de alimentar al bebé.
- Nunca intente freír en abundante aceite en el microondas.

▲ADVERTENCIA AVISO: MARCAPASOS

La mayoría de los marcapasos se encuentran protegidos contra la interferencia de productos electrónicos, incluyendo los microondas. Sin embargo, los pacientes que tengan marcapasos deberían consultar a sus médicos si tienen alguna duda.

▲ADVERTENCIA ARQUEO VOLTAICO

Se pueden producir arcos voltaicos al cocinar con microondas. Si nota que ocurre arco voltaico, apriete el botón táctil **Clear/Off (Borrar/ Apagar)** y corrija el problema.

El arco voltaico es el término técnico que define las chispas en el horno. El arco voltaico es causado por:

- Metal o lámina de metal en contacto con el costado del horno.
- Lámina de metal moldeada al alimento (los bordes doblados hacia arriba actúan como antenas).
- Utilice la lámina de metal según las recomendaciones de este manual.
- Utensilios de metal usados durante la cocción con microondas.
- Metal, tal como tiritas metálicas de seguridad, sujetadores para carne de ave o platos con borde de oro en el horno.
- Toallas de papel reciclado que contengan pedazos de metal pequeños que se utilizan en el horno.

GUARDE ESTAS INSTRUCCIONES

INFORMACIÓN IMPORTANTE DE SEGURIDAD

LEA TODAS LAS INSTRUCCIONES ANTES DE USAR

▲ ADVERTENCIA ALIMENTOS

- Cuando utilice el microondas, coloque todos los alimentos y contenedores en la bandeja de vidrio transparente.
- No cocine palomitas de maíz en el horno a menos que se coloquen en un accesorio de palomitas de maíz para microondas especial o a menos que utilice palomitas de maíz aptas para hornos de microondas.
- No hierva huevos en este horno. Se acumulará presión dentro de la yema del huevo y causará que explote, posiblemente causando lesiones.
- No ponga a funcionar el horno sin alimentos en el interior. Esto podría dañar el horno. Aumenta el calor alrededor del magnetrón y puede acortar la vida útil del microondas.
- Alimentos con la cáscara no cortada, como papas, salchichas, embutidos, tomates, manzanas, hígado de pollo y otras menudencias y yemas de huevo deben perforarse para permitir que el vapor escape durante la cocción.

■ AGUA SOBRECALENTADA

Líquidos, tales como agua, café o té, son capaces de sobrecalentarse más allá del punto de ebullición sin parecer que estén hirviendo. No siempre hay burbujeo o hervor visible cuando se saca el recipiente del horno microondas. ESTO PUEDE RESULTAR EN LA EBULLICIÓN REPENTINA DE LÍQUIDOS MUY CALIENTES CUANDO SE MUEVE EL RECIPIENTE O SE INSERTA UNA CUCHARA U OTRO UTENSILIO DENTRO DEL LÍQUIDO.

Para reducir el riesgo de lesión física:

- No sobrecaliente el líquido.
- Revuelva el líquido antes y a la mitad del tiempo de calentamiento.
- No utilice recipientes con costados rectos y cuellos angostos.
- Después de calentar el recipiente, déjelo en el horno microondas por un período corto de tiempo antes de sacarlo.
- Tenga extrema precaución cuando introduzca una cuchara u otro utensilio en el recipiente.

GUARDE ESTAS INSTRUCCIONES

INFORMACIÓN IMPORTANTE DE SEGURIDAD

LEA TODAS LAS INSTRUCCIONES ANTES DE USAR

⚠ **ADVERTENCIA** Recipientes de cocina seguros diseñados para microondas

Asegúrese de utilizar recipientes de cocina adecuados durante la cocción a microondas. Se pueden utilizar la mayoría de las cacerolas, platos para cocinar, tazas de medir, tazas normales, cerámica o loza que no tengan bordes metálicos o vidriados con un recubrimiento metálico. Algunos recipientes de cocina se encuentran marcados como adecuados para microondas.

- La utilización de la bandeja metálica antiadherente durante la cocción en microondas puede producir resultados insatisfactorios.
- Si no está seguro de que su recipiente de cocina sea adecuado para microondas, realice la siguiente prueba: coloque en el horno el plato que desee probar y una taza de medida de vidrio llena con 1 taza de agua coloque la taza junto o sobre el plato. Prenda el microondas durante 30–45 segundos a alta potencia. Si el plato se calienta, no debe utilizarse en el microondas.



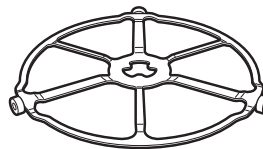
Cómo probar si un envase es seguro para usarse en un horno de microondas

- Si el plato permanece frío y sólo se calienta el agua de la taza, entonces el plato es adecuado para microondas.
- Los utensilios de cocina pueden tornarse muy calientes debido a la transferencia de calor proveniente de los alimentos calentados. Podrían requerirse guantes de cocina para manipular los recipientes de cocina.
- No utilice productos de papel reciclado. Las toallas, servilletas y papel encerado fabricados de material reciclado pueden contener partículas metálicas que pueden causar arco voltaico o prender fuego. Se deben evitar los productos de papel que contienen nylon o filamentos de nylon, ya que también pueden incendiarse.
- Utilice las láminas metálicas únicamente como se indica en este manual. Cuando utilice la lámina de metal en el horno, mantenga la lámina por lo menos 1" alejada de los costados del horno.
- No utilice el horno para secar periódicos.
- Si utiliza un termómetro de carne mientras cocina, asegúrese que sea seguro para utilizarse en hornos microondas.
- Algunas bandejas de espuma (como aquellas en las que se empaca la carne) tienen una tira de metal delgada empotrada en la parte inferior. Cuando se cocinan con microondas, el metal puede quemar el fondo del horno o hacer que arda una toalla de papel.

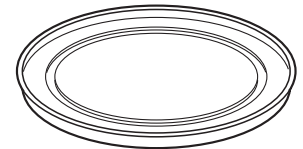
- Se puede utilizar toallas de papel, papel encerado y las envolturas plásticas para cubrir los platos con el propósito de mantener la humedad y prevenir los salpicones. Asegúrese de ventilar cortando la envoltura plástica para que pueda escapar el vapor.
- No todas las cubiertas plásticas son adecuadas para hornos microondas. Lea en la caja las instrucciones correspondientes.
- Se deben cortar, perforar o ventilar como se indica en la caja las bolsas de cocina "hervibles" y bolsas plásticas cerradas herméticamente. De lo contrario, el plástico puede reventarse durante o inmediatamente después de la cocción, resultando en una posible lesión. También, los recipientes de almacenamiento plásticos deben al menos estar parcialmente descubiertos debido a que forman un sello muy ajustado. Al cocinar con recipientes cubiertos con envoltura plástica de manera muy ajustada, quite cuidadosamente la cubierta y dirija el vapor fuera y alejado de manos y rostro.
- Recipientes de cocina plásticos—Los recipientes de cocina diseñados para microondas son muy útiles, pero deben utilizarse con cuidado. Incluso el plástico diseñado para microondas podría no tolerar condiciones de sobre cocción, así como los materiales de vidrio o cerámica y podrían suavizarse o carbonizarse si se exponen a períodos cortos de sobre cocción. En exposiciones más prolongadas a la sobrecocción, los alimentos y los recipientes de cocina podrían coger fuego.

Siga las siguientes pautas:

1. Utilice plásticos seguros para microondas únicamente y utilícelos estrictamente según las especificaciones del fabricante.
2. No cocine en el microondas recipientes vacíos.
3. No permita que los niños utilicen recipientes de plástico sin vigilarlos bien.



La **base giratoria** siempre debe estar colocada en su lugar cuando se utiliza el horno.



La **bandeja de cristal transparente** siempre deberá estar en su lugar cuando **se cocina con microondas**.

GUARDE ESTAS INSTRUCCIONES

INFORMACIÓN IMPORTANTE DE SEGURIDAD

LEA TODAS LAS INSTRUCCIONES ANTES DE USAR

⚠ADVERTENCIA Lea todas las instrucciones de seguridad antes de utilizar este producto. No seguir estas instrucciones puede generar un incendio, una descarga eléctrica, lesiones corporales o la muerte.

⚠ADVERTENCIA INSTRUCCIONES GENERALES DE SEGURIDAD

- Use este electrodoméstico sólo para su propósito original, como se describe en el Manual del Propietario.
- Solicite que un instalador calificado instale su electrodoméstico y que esté adecuadamente conectado a tierra, de acuerdo con las instrucciones de instalación provistas.
- No intente reparar o reemplazar ninguna parte del horno, a menos que se recomiende específicamente en este manual. Cualquier otra reparación deberá ser realizada por un técnico calificado.
- Antes de realizar cualquier servicio técnico, desconecte el suministro de corriente desde el panel de distribución del hogar, retirando el fusible o desconectando el disyuntor.
- No deje a los niños solos – no se deberá dejar a los niños solos o fuera de su radio de atención en el área donde el electrodoméstico se encuentre en uso. Nunca se les deberá permitir trepar, sentarse o pararse sobre ninguna parte del electrodoméstico.
- **⚠PRECAUCIÓN** No coloque artículos de interés para los niños sobre los gabinetes que están sobre un horno – si los niños se trepan sobre el horno para llegar a estos artículos podrían sufrir lesiones graves.
- Use sólo mangos de ollas secas – los mangos húmedos sobre superficies calientes pueden producir quemaduras debido al vapor. No deje que los mangos de las ollas toquen los elementos que están calientes. No use una toalla u otra tela voluminosa para reemplazar el mango de las cacerolas.
- Nunca use el electrodoméstico para calentar o calefaccionar la habitación.
- No toque el elemento calentador ni la superficie interior del horno. Es posible que estas superficies estén demasiado calientes como para quemar, aunque su color sea oscuro. Durante y después del uso, no toque ni permita que telas u otros materiales inflamables toquen cualquier área interior del horno; espere a que haya pasado un tiempo suficiente para que se enfríen. Otras superficies del electrodoméstico se podrán calentar lo suficiente como para ocasionar lesiones. Las superficies potencialmente calientes incluyen la abertura de la ventilación del horno, superficies cercanas a la abertura y grietas alrededor de la puerta del horno.
- No caliente envases de comida que no hayan sido abiertos. Se podría acumular presión y el envase podría explotar, ocasionando una lesión.
- No use ningún tipo de aluminio o cobertor para cubrir el fondo del horno o cualquier parte del horno, excepto como se describe en este manual. Los cobertores de horno pueden atrapar el calor o derretirse, ocasionando daños sobre el producto y el riesgo de descargas, humo o incendios.
- Evite las ralladuras o impactos sobre las puertas de vidrio o los paneles de control. Hacer esto podrá producir la rotura de vidrios. No cocine sobre ni en un producto con un vidrio roto. Es posible que se produzcan descargas, incendios o cortes.
- Cocine carnes y carnes de ave en forma completa – la carne por lo menos a una temperatura interna de 160° F y la carne de ave por lo menos a una temperatura interna de 180° F. Normalmente la cocción a estas temperaturas es una protección contra las enfermedades transmitidas por la comida.

⚠ADVERTENCIA MANTENGA LOS MATERIALES INFLAMABLES ALEJADOS DE LA COCINA Si esto no se cumple, se podrán sufrir lesiones personales graves o incendios.

- No almacene o utilice materiales inflamables dentro de un horno o cerca de la estufa, tales como papel, plástico, agarraderas, telas, recubrimientos de pared, cortinas y gasolina u otros vapores y líquidos inflamables.
- No permita que la grasa de la cocción u otros materiales inflamables se acumulen dentro de la cocina o en su cercanía. La grasa dentro del horno o sobre la estufa puede encenderse.
- Nunca use vestimentas holgadas o amplias mientras utilice el aparato. Estas vestimentas pueden prenderse fuego si entran en contacto con superficies calientes, provocando quemaduras graves.

GUARDE ESTAS INSTRUCCIONES

INFORMACIÓN IMPORTANTE DE SEGURIDAD

LEA TODAS LAS INSTRUCCIONES ANTES DE USAR

▲ADVERTENCIA EN CASO DE INCENDIO, SIGA LOS SIGUIENTES PASOS PARA EVITAR LA PROPAGACIÓN DEL FUEGO

- No use agua sobre el fuego de la grasa. Nunca tome una olla que se esté incendiando.
- Si hay un incendio en el horno durante el horneado, ahogue el fuego cerrando la puerta del horno y apagando el mismo o usando un químico seco multipropósito o un extintor de incendio con espuma.
- En caso de que haya fuego en el horno durante el ciclo de limpieza automática, apague el horno y espere a que el fuego se extinga. No fuerce la puerta para abrirla. La entrada de aire fresco sobre las temperaturas de la limpieza automática podrá conducir a la producción de llamas en el horno. Si no se siguen estas instrucciones, se podrán producir quemaduras graves.

▲ADVERTENCIA INSTRUCCIONES DE SEGURIDAD DEL HORNO

- Manténgase alejado del horno al abrir la puerta del mismo. El aire caliente o el vapor que sale puede causar quemaduras en las manos, rostro y/u ojos.
- Mantenga desobstruida la ventilación del horno.
- Mantenga el horno libre de acumulación de grasa. La grasa del horno se puede incendiar.
- Coloque los estantes del horno en la ubicación deseada mientras éste se encuentra frío. Si es necesario mover el estante mientras el horno está caliente, evite que el mango de la olla tenga contacto con el elemento calentador en el horno.
- Al usar las bolsas para cocinar o dorar en el horno, siga las instrucciones del fabricante.
- Es conveniente empujar hacia afuera los estantes estándares hasta el tope o empujar el estante extensible hasta la posición completamente abierta para levantar comidas pesadas. Esto también es una precaución contra quemaduras por tocar superficies calientes de la puerta o las paredes del horno.
- No deje productos tales como papel, utensilios de cocina ni comida en el horno cuando éste no se encuentre en uso. Los artículos guardados en el horno se pueden incendiar.
- Nunca coloque los utensilios de cocina, piedras para pizza u horneado o cualquier otro tipo de aluminio o cobertor en la base del horno. Estos ítems pueden atrapar el calor o derretirse, ocasionando daños sobre el producto y el riesgo de descargas, humo o incendios.

▲ADVERTENCIA INSTRUCCIONES DE SEGURIDAD DEL HORNO CON LIMPIEZA AUTOMÁTICA

La función de limpieza automática usa el horno en temperaturas lo suficientemente altas como para consumir la suciedad de comida que haya dentro del horno. Para un funcionamiento seguro, siga estas instrucciones.

- No toque las superficies del horno durante el ciclo de limpieza automática. Mantenga a los niños alejados del horno durante la limpieza automática. Si no se siguen estas instrucciones, se podrán producir quemaduras.
- Antes de usar el ciclo de limpieza automática del horno, retire los estantes de color gris brillante (en algunos modelos), la sonda, cualquier papel de aluminio, y cualquier bandeja para asar, rejilla, u otros utensilios. Sólo se pueden dejar dentro del horno los estantes para horno cubiertos de porcelana.
- Antes de utilizar el ciclo de limpieza automática, limpie la grasa y restos de comida que haya en el horno. Una cantidad excesiva de grasa se puede incendiar, lo cual puede producir daños con humo en su hogar.
- Si el modo de limpieza automática funciona de forma incorrecta, apague el horno y desconecte el suministro de corriente. Solicite el servicio de un técnico calificado.
- No limpie la junta de la puerta. La junta de la puerta es esencial para un buen sellado. Se debe tener cuidado de no frotar, dañar ni mover la junta.
- No use limpiadores para horno. No se deberá usar limpiadores comerciales para horno ni revestimientos de protección para hornos de ningún tipo en o alrededor de cualquier parte del horno.

GUARDE ESTAS INSTRUCCIONES

INFORMACIÓN IMPORTANTE DE SEGURIDAD

LEA TODAS LAS INSTRUCCIONES ANTES DE USAR ESTE ELECTRODOMÉSTICO

DECLARACIÓN DE LA FCC SOBRE INTERFERENCIA DE FRECUENCIAS RADIALES

Este equipo genera y usa potencia de frecuencia ISM y si no es instalado y usado de forma adecuada, en cumplimiento estricto con las instrucciones del fabricante, se podrán ocasionar interferencias en la recepción de radio y televisión. Se realizó una evaluación por tipo y se encontró en cumplimiento con los límites de un equipo ISM, de acuerdo con la parte 18 de las Reglas FCC, que fueron diseñadas para brindar una protección razonable contra dichas interferencias en una instalación residencial. Sin embargo, no se garantiza que no se presenten interferencias en una instalación en particular. Si el equipo provoca interferencias en la recepción de radio o televisión, lo que se puede determinar encendiendo y apagando el equipo, se aconseja al usuario que intente corregir la interferencia a través de una o más de las siguientes medidas:

- Reoriente la antena receptora de radio o televisión.
- Reubique el horno microondas con respecto al receptor.
- Ubique el horno microondas en una posición alejada del receptor.
- Enchufe el horno microondas en un tomacorriente diferente, de modo que el horno microondas y el receptor estén en diferentes circuitos de empalmes.

El fabricante no es responsable por cualquier interferencia de radio o TV ocasionada por una **modificación no autorizada** sobre este horno microondas. Es responsabilidad del usuario corregir dicha interferencia.

Cómo Retirar la Película Protectora de Envío y la Cinta de Embalaje

Con cuidado tome un extremo de la película protectora de envío con los dedos y lentamente retire la misma de la superficie del electrodoméstico. No utilice ningún producto filoso para retirar la película. Retire toda la película antes de usar el electrodoméstico por primera vez.

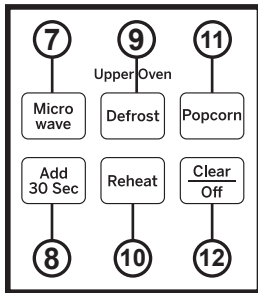
Para asegurar que no haya daños sobre el acabado del producto, la forma más segura de retirar el adhesivo de la cinta de embalaje en electrodomésticos nuevos es aplicando un detergente líquido hogareño para lavar platos. Aplique con una tela suave y deje que se seque.

NOTA: El adhesivo deberá ser eliminado de todas las partes. No se puede retirar si se hornea con éste dentro.

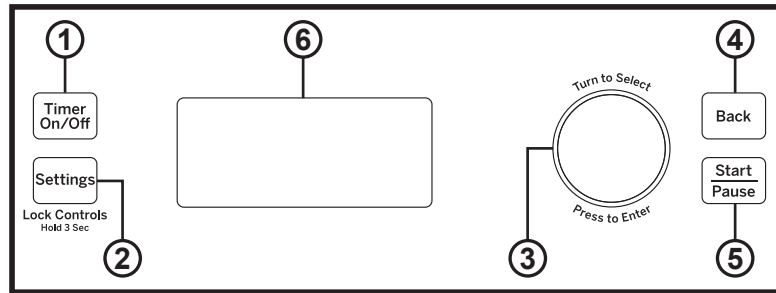
GUARDE ESTAS INSTRUCCIONES

Controles del Horno

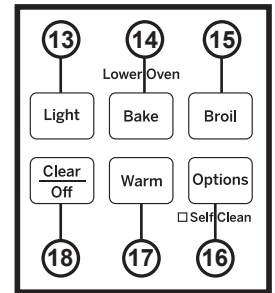
Controles del Horno Superior



Controles Comunes



Controles del Horno Inferior



Controles Comunes

1. Timer On/Off (Temporizador Encendido/

Apagado): Funciona como un temporizador con cuenta regresiva: Presione la tecla **Timer On/Off (Temporizador Encendido/ Apagado)**, seleccione el tipo de temporizador (horas y minutos o minutos y segundos), use el dial de selección para configurar la hora, y presione el dial del selector para iniciar la cuenta regresiva del temporizador. El horno continuará funcionando cuando la cuenta regresiva del temporizador se haya completado. Para apagar el temporizador, presione la tecla **Timer On/Off (Temporizador Encendido/ Apagado)**.

2. Settings/Lock Controls (Controles de

Configuraciones/ Bloqueo): Busque las opciones del horno para: Help (Ayuda), Clock Settings (Configuraciones del Reloj), Display Mode (Modo de Pantalla), Auto Conversion (Conversión Automática), Auto Shut Off (Apagado Automático), Beeper Volume (Volumen del Pitido), Reminder (Recordatorio), Temperature Units (Unidades de Temperatura), Thermostat Adjust (Ajustar el Termostato) y Oven Information (Información del Horno) bajo esta selección. Para más detalles, consulte la sección Oven Settings (Configuraciones del Horno). Mantenga presionada la tecla **Settings (Configuraciones)** durante 3 segundos para bloquear o desbloquear los controles. Esto bloquea el control, de modo que al presionar las teclas de control no se active esta función. La función Clear/Off (Borrar/ Apagar) siempre está activa, incluso cuando el control está bloqueado.

3. Selector Dial (Dial de Selección): El dial de selección se usa tanto para el horno superior como para el inferior. Gire el dial para seleccionar las configuraciones del horno, opciones del horno superior/ inferior y opciones de cocción, y luego presione el mismo para confirmar la selección. Gire el dial para incrementar o reducir las temperaturas o el tiempo y luego presione el mismo para configurar la temperatura o el tiempo configurados.

4. Back (Retroceder): Presione esta tecla para ir hacia atrás en un nivel del menú en la pantalla.

5. Start/Pause (Iniciar/ Pausar): Presione la tecla **Start/Pause (Iniciar/ Pausar)** para iniciar cualquier función de cocción, limpieza o con temporizador. Presione la tecla **Start/Pause (Iniciar/ Pausar)** para pausar cualquier función del horno superior.

6. Display (Pantalla): La información sobre el horno superior y el horno inferior se muestra en la ventana de esta pantalla.

Controles del Horno Superior

7. Microwave (Cocinar con Microondas): Presione la tecla **Microwave (Cocinar con Microondas)** para acceder a las opciones de cocción con microondas. Use el dial de selección para buscar la opción de cocción con microondas deseada y presione el dial para seleccionar la misma. Las opciones disponibles incluyen Cook by Time (Cocinar por Tiempo), Cook (Cocinar), Defrost (Descongelar), Beverage (Bebida), Popcorn (Palomitas de Maíz), Melt (Derretir), Reheat (Recalentar), Simmer (Hervir) y Soften (Ablandar). Use la bandeja de vidrio transparente y el utensilio para uso seguro en el microondas al usar las funciones de cocción con microondas. Para más detalles, consulte la sección de Cocción con microondas en el horno superior.

8. Add 30 Sec (Agregar 30 Segundos): Presione la tecla **Add 30 Sec (Agregar 30 Segundos)** de tiempo de cocción en el microondas. Cada vez que se presiona esta tecla, se suman 30 segundos al tiempo de cocción restante. El horno se inicia de inmediato.

9. Defrost (Descongelar):

Presione la tecla Defrost (Descongelar) para descongelar, gire el dial para seleccionar el tipo de descongelación y presione el dial para hacer la selección. El tipo de descongelación disponible incluye: Defrost by Food Type (Descongelación por Tipo de Comida), Defrost by Time (Descongelación por Tiempo), Defrost by Weight (Descongelación por Peso), 1.0 lb. Quick Defrost (Descongelación Rápida), Melt (Derretir), y Soften (Ablandar). Para más información, consulte la sección Cocinar con el Microondas.

10. Reheat (Recalentar): Presione la tecla Reheat (Recalentar) para recalentar, gire el dial para seleccionar el tipo de comida que desea recalentar y presione el dial para hacer la selección. Los tipos de comidas disponibles en la función Reheat (Recalentar) incluyen: Beverage (Bebida), Casserole (Cazuela), Chicken (Pollo), Pasta (Pasta), Pizza (Pizza), Plate of Food (Plato de Comida), Rice (Arroz), Soup (Sopa), Steaks/Chops (Bifes/ Costillas), y Vegetables (Verduras).

11. Popcorn (Palomitas de Maíz): Presione la tecla Popcorn (Palomitas de Maíz) para cocinar palomitas de maíz con el microondas; presione el dial para hacer la selección. La función Popcorn (Palomitas de Maíz) es una función con sensor de microondas y detecta de forma automática cuándo las palomitas de maíz están hechas y se apaga automáticamente. No use las funciones del sensor dos veces seguidas con la misma porción de comida.

12. Clear/Off (Borrar/ Apagar): La tecla Clear/Off (Borrar/ Apagar) cancela TODOS los programas del horno superior, excepto el reloj y el temporizador.

Controles del Horno Inferior

13. Light (Luz): Presione la tecla **Light (Luz)** para encender o apagar la luz del horno en el horno inferior. Observe que la luz del horno inferior no se encenderá si éste se encuentra en el modo de limpieza.

14. Bake (Hornear): Presione la tecla **Bake (Hornear)** para hornear, gire el dial para seleccionar la temperatura de horneado y presione el dial para hacer la selección.

15. Broil (Asar): Presione la tecla **Broil (Asar)** para asar, gire el dial para seleccionar Hi/Lo (Alto/ Bajo) y presione el dial para hacer la selección.

16. Options (Opciones): Busque las funciones Delay Start (Retrasar Inicio), Proof (Leudar), Sabbath (Sabático), Self Clean (Limpieza Automática), Steam Clean (Limpieza con Vapor) y Warm (Calentar) en esta selección. Para más detalles, consulte la sección Oven Options (Opciones del Horno).

17. Warm (Calentar): Presione la tecla Warm (Calentar) para calentar; presione el dial para hacer la selección. No use la función Warm (Calentar) para cocinar o calentar comida fría. Para más información, consulte la sección de Modos de Cocción.

18. Clear/Off (Borrar/ Apagar): La tecla Clear/Off (Borrar/ Apagar) cancela TODOS los programas del horno inferior, excepto el reloj y el temporizador.

Configuraciones del Horno

Ayuda

Use esta función para saber más sobre su horno y sus funciones, presionando la tecla Settings (Configuraciones) y seleccionando **Help (Ayuda)**. Gire el dial de selección y presione el mismo para seleccionar la función sobre la cuál desee saber más.

NOTA: Es posible que su horno no cuente con todas las funciones de ayuda. A continuación figuran funciones de la función Help (Ayuda):

Funciones que se encuentran en la función HELP (AYUDA).

| | | |
|---|--|--|
| Adding Time (Añadir Tiempo) | Defrost by Weight (Descongelación por Peso) | Start/Pause (Iniciar/ Pausar) |
| Auto Convection (Convección Automática) | Delay Start (Lower) (Retrasar Inicio) (Inferior) | Steam Clean (Limpieza al Vapor) |
| Auto Shut-Off (Apagado Automático) | Display Mode (Modo de Pantalla) | Temperature Units (Unidades de Temperatura) |
| Back (Regresar) | Edit (Editar) | Thermostat Adjust (Ajustar el Termostato) |
| Bake (Hornear) | Help (Ayuda) | Timer On/Off (Temporizador Encendido/ Apagado) |
| Beeper Volume (Volumen del Pitido) | Melt (Derretir) | Toast (Tostar) |
| Beverage (Bebida) | Micro 30 Secs (30 seg. de Microondas) | Warm (Calentar) |
| Broil (Asar) | Microwave (Cocinar con Microondas) | |
| Clear/Off (Borrar/ Apagar) | My Recipes (Mis recetas) | |
| Clock (Reloj) | Probe (Sonda) | |
| Control Lockout (Bloqueo del Control) | Proof (Leudar) | |
| Cook (Cocinar) | Reheat (Recalentar) | |
| Cook by Food (Cocción por Comida) | Reminder (Recordatorio) | |
| Cook by Time (Cocinar por Tiempo) | Repeat Last (Repetir el Último Paso) | |
| Cook by Time 1 & 2 (Cocinar por Tiempo 1 y 2) | Resume (Reiniciar) | |
| Cooking Options (Lower) (Opciones de Cocción) (Inferior) | Sabbath (Sabático) | |
| Cooking Options (Upper) (Opciones de Cocción) (Superior) | Self Clean (Limpieza Automática) | |
| Defrost (Descongelar) | Sensor Cooking (Cocción por Sensor) | |
| Defrost by Food (Descongelar por Comida) | Simmer (Hervir) | |
| Defrost by Time (Descongelación por Tiempo) | Soften (Ablandar) | |
| | Speed Cook (Cocción Rápida) | |

Clock Settings (Configuraciones del Reloj)

Use esta función para configurar la hora del día y para especificar cómo ésta será exhibida. Puede seleccionar el reloj estándar de 12 horas (12 hrs.) o el reloj militar de 24 horas (24 hrs.). El reloj deberá ser configurado antes del primer uso del horno.

Display Mode (Modo de Pantalla)

Use esta función para configurar el modo de pantalla Power Saver (Ahorro de Energía) o Display Always (Mostrar Siempre).

Auto Shut-Off (Apagado Automático)

Use esta función para activar/ desactivar la función Auto Shut-Off (Apagado Automático). Activar la función Auto Shut-Off (Apagado Automático) apagará el horno inferior luego de 12 horas de funcionamiento continuo. Esta configuración de fábrica para la función Auto Shut-Off (Apagado Automático) está activada. Cuando esté en el modo Sabbath (Sabático), la función Auto Shut-Off (Apagado Automático) será desactivada.

Beeper Volume (Volumen del Pitido)

Use esta función para configurar el volumen del pitido en Mute (Mudo) o Normal (Normal).

NOTA: Algunos tonos no se pueden enmudecer.

Reminder (Recordatorio)

Use esta función con Set (Configurar), Review (Revisar), o Clear Reminder (Borrar Recordatorio).

Temperature Units (Unidades de Temperatura)

Use esta función para configurar la unidad de temperatura en pantalla a °F (Fahrenheit) o °C (Celsius).

Thermostat Adjust (Ajustar el Termostato)

Esta función permite que la temperatura de horneado del horno y de horneado por convección sean ajustadas hasta 35°F más caliente o 35°F más fría en el horno inferior. El horno superior no puede ser ajustado. Use esta función si piensa que la temperatura de su horno es demasiado caliente o demasiado fría y desea modificarla. Este ajuste afecta los modos Bake (Hornear), y Convection Bake (Hornear por Convección). Ningún otro modo de cocción se ve afectado.

Oven Information (Información del Horno)

Esta función muestra el modelo y número de serie del horno.

Opciones del Horno

Opciones del Horno Inferior

Delay Start (Iniciar con Retraso)

Use esta función para retrasar el inicio de las funciones Bake (Hornear) o Self Clean (Limpieza Automática). Para usar esta función, seleccione Delay Start (Iniciar con Retraso) y configure la hora de inicio, y luego seleccione el modo de cocción. También puede usar la función Delay Start (Iniciar con Retraso), mientras programa una función de cocción con Bake (Hornear).

Proof (Leudar)

Use esta función para leudar masa. Para más detalles, consulte los Modos de Cocción en el Horno Inferior.

Sabbath (Modo Sabático)

Use esta función para ingresar el modo Sabbath (Sabático). Este modo configura el horno para el Festejo Sabático Judío y Feriados. Esta función cumple con los requisitos de la Estrella K del Festejo Sabático Judío. El modo sabático desactiva las luces del horno (la luz del horno no se encenderá cuando la puerta sea abierta), todos los sonidos (el control no emitirá ningún pitido cuando un botón sea presionado, pero emitirá un pitido si ciertas fallas del horno se producen), y todas las funciones del horno superior e inferior, excepto Bake (Hornear) en el horno inferior. Durante el modo Sabbath (Sabático) sólo Bake (Hornear) en el horno inferior está disponible. Durante este modo, luego de configurar/ modificar una temperatura de horneado, un retraso al azar de aproximadamente entre 30 segundos y 1 minuto se producirá, antes de que el horno comience a hornear. Para detener la cocción, presione la tecla **Back (Retroceder)** y luego la tecla **Start/Pause (Iniciar/ Pausar)**. El horno se apagará luego de un retraso al azar de aproximadamente entre 30 segundos y 1 minuto. Para salir inmediatamente de Bake (Hornear) en el horno inferior, presione la tecla **Clear/Off (Borrar/ Apagar)** en cualquier momento; los elementos de cocción se apagarán de forma inmediata y Sabbath Bake (Hornear en el Modo Sabático) cambiará a

Sabbath (Sabático) en la pantalla, indicando que el horno fue apagado. Para salir del modo Sabbath (Sabático), mantenga presionada la tecla **Back (Retroceder)** durante 3 segundos. No presione ningún otro botón hasta que se haya salido del modo Sabbath (Sabático), o el modo Sabbath (Sabático) se volverá a iniciar y no se saldrá del mismo. Para más detalles, consulte la sección de Modo Sabático en el Horno Inferior.

NOTA: Si se produce un corte de corriente durante el modo Sabático, la unidad permanecerá en el modo Sabático pero apagada cuando vuelva la corriente.

Self Clean (Limpieza Automática)

Use esta función para ingresar el modo Self Clean (Limpieza Automática). Para más detalles, consulte la sección de Limpieza del Horno.

Steam Clean (Limpieza al Vapor)

Use esta función para ingresar el modo Self Clean (Limpieza Automática). Para más detalles, consulte la sección de Limpieza del Horno.

Warm (Calentar)

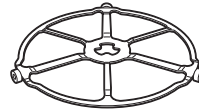
Use esta función para calentar. Para más detalles, consulte los Modos de Cocción en el Horno Inferior.

Cocción con Microondas

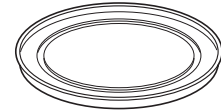
Cómo Utilizar las Funciones de Microondas

Asegúrese de que la base giratoria y la bandeja de vidrio transparente se encuentran colocadas.

Coloque los alimentos o recipiente para microondas directamente en la bandeja de vidrio transparente para cocinar sus alimentos.



La **base giratoria** siempre debe estar colocada en su lugar cuando se utiliza el horno.



La **bandeja de cristal transparente** siempre deberá estar en su lugar cuando se cocina con microondas.

SELECCIONES MICROWAVE PRE-SET (PREPROGRAMACIONES DE MICROONDAS)

| | | | | |
|---|---|--|--|--|
| <ul style="list-style-type: none"> ■ Bebidas <ul style="list-style-type: none"> - Agua (8-12 onzas) - Café (8-12 onzas) - Té (8-12 onzas) - Leche (8-12 onzas) - Cacao Caliente (8-12 onzas) ■ Palomitas de Maíz <ul style="list-style-type: none"> - Sensor de palomitas de maíz | <ul style="list-style-type: none"> ■ Derretir <ul style="list-style-type: none"> - Manteca - Caramelo - Queso - Trozos de Chocolate - Malvavisco ■ Hervir | <ul style="list-style-type: none"> ■ Cocinar <ul style="list-style-type: none"> - Por tipo de alimento - Por tiempo - Por tiempo 1 y 2 ■ Suavizar <ul style="list-style-type: none"> - Manteca - Queso Crema - Glaseado (16 onzas) - Helado | <ul style="list-style-type: none"> ■ Descongelar <ul style="list-style-type: none"> - 1,0 lb. Rápido - Por tiempo - Por peso - Por tipo de alimento - Derretir - Suavizar | <ul style="list-style-type: none"> ■ Recalentar <ul style="list-style-type: none"> - Bebidas - Cazuela - Pollo - Pasta - Pizza - Plato de comida - Arroz - Sopa - Bistecs/Chuletas - Verduras |
|---|---|--|--|--|

Cómo Utilizar las Selecciones de Microondas Preprogramadas

1. Presione la tecla **Microwave (Cocinar con Microondas)**.

Si no se realiza una selección dentro del plazo de 15 segundos, la pantalla regresará a la hora del día.

2. Gire el dial de selección para buscar la comida o bebida que desee cocinar, descongelar, ablandar, derretir, hervir o recalentar. Presione el dial de selección para ingresar.

3. Gire el dial para seleccionar el tipo, cantidad, peso y/o tamaño. (El horno le consultará, en la medida que sea necesario.) Presione el dial luego de cada selección.

4. Presione el dial de selección o la tecla **Start/Pause (Iniciar/ Pausar)** para iniciar la cocción.

Para revisar o editar las configuraciones durante la cocción, presione el dial de selección.

Si se abre la compuerta durante la cocción, el horno se detendrá y se mostrará **Pause (Pausa)** en la pantalla. Cierre la compuerta y apriete el botón **Start/Pause (Iniciar/Pausar)** para continuar cocinando.

Si ingresa una selección no deseada en cualquier momento, simplemente apriete el botón **Back (Regresar)** y reingrese las selecciones deseadas.

- Cuando el horno está encendido, se podrá ver la luz alrededor de la compuerta o de la cubierta externa.
- La luz del interior del horno se encenderá durante un ciclo de cocción por microondas.
- Podría escapar vapor del rededor de la compuerta.

Cook By Time (Cocinar Por Tiempo) y Cook By Time 1 & 2 (Cocinar Por Tiempo 1 y 2)

Utilice las funciones de Cook By Time (Cocinar Por Tiempo) y Cook By Time 1 & 2 para cocinar por microondas los alimentos que no se encuentran en la sección de recetas y en el tiempo que programó.

- El nivel de potencia se encuentra ajustado automáticamente en High (Alto), pero puede cambiarlo para dar mayor flexibilidad.

1. Presione la tecla **Microwave (Cocinar con Microondas)**.

2. Gire el dial para seleccionar Cook By Time (Cocinar por Tiempo) o Cook By Time 1 & 2 (Cocinar por Tiempo 1 y 2) y presione el dial de selección para ingresar.

3. Gire el dial de selección para configurar el tiempo de cocción y presione el mismo para ingresar.

4. Seleccione la configuración del nivel de potencia.

Si seleccionó Cook By Time 1 & 2 (Cocinar por Tiempo 1 y 2), gire el dial de selección para configurar el segundo tiempo de cocción, la segunda configuración de nivel de potencia y presione el dial para ingresar.

5. Presione el dial de selección o la tecla **Start/Pause (Iniciar/ Pausar)** para iniciar la cocción.

Durante las funciones de Cook By Time (Cocinar Por Tiempo) o Cook By Time 1 & 2 (Cocinar Por Tiempo 1 & 2) puede abrir la compuerta para revisar la comida. Cierre la compuerta y apriete el botón **Start/Pause (Iniciar/Pausar)** para continuar cocinando.

Cocción con Microondas (Cont.)

Nivel(es) De Potencia Del Horno Microondas

- Puede modificar el nivel de potencia durante la mayor parte del programa de cocción.
1. Presione el dial de selección para editar.
 2. Gire el dial de selección para cambiar la hora y/o presione el dial de selección para ingresar.
 3. Gire el dial de selección en dirección de las agujas del reloj para incrementar el nivel de potencia y en contra de las agujas del reloj para reducir el mismo. Presione el dial de selección para ingresar.

Aquí se presentan algunos ejemplos de utilizaciones para varios niveles de potencia:

High (Alto) 10: Pescado, tocino, verduras, líquidos hirvientes.

Med (Medio) - High (Alto) 7: Cocción moderada de carne de res y pollo; hornear guisados y recalentamiento.

Med (Medio) 5: Cocción lenta y ablandamiento para guisados y cortes de carne de res menos suaves.

Low (Bajo) 2 o 3: Descongelación; hervir a fuego lento; salsas delicadas.

Warm (Caliente) 1: Mantener comidas calientes; suavizar mantequilla.

Descongelación Por Tipo De Alimento

La función Auto Defrost (Descongelación automática) ajusta los tiempos de descongelación y los niveles de potencia para ofrecer resultados de descongelación uniformes para carnes de res, pollo y pescado de hasta 6 libras de peso.

1. Saque los alimentos de la caja y colóquelos en un plato adecuado para microondas.
2. Presione la tecla **Microwave (Cocinar con Microondas)** y seleccione Defrost (Descongelar).
3. Gire el selector del dial a Defrost (Descongelar) y a Food Type (Tipo de Comida). Presione el dial de selección para ingresar.
4. Gire el dial para seleccionar el tipo de comida. Presione el dial de selección para ingresar.
5. Gire el dial de selección al peso de la comida, usando la Guía de Conversión que figura a la derecha. Por ejemplo, seleccione 1.2 para 1.2 libras (1 libra, 3 onzas). Presione el dial de selección para ingresar.
6. Presione el dial de selección o la tecla **Start/Pause (Iniciar/ Pausar)** para iniciar la descongelación.
7. Gire los alimentos cuando el horno le indique Turn Food Over (Dar Vuelta A Los Alimentos).

- Saque la carne descongelada o cubra las áreas calientes con pedazos pequeños de lámina de aluminio para lograr una descongelación uniforme.
- Después de descongelar, la mayoría de las carnes necesitan dejarse en reposo durante 5 minutos para completar la descongelación. Asados de mayor tamaño deben permanecer en reposo por cerca de 30 minutos.

Guía de conversión

Si se indica el peso de los alimentos en libras y onzas, se deben convertir las onzas a décimos (.1) de libra.

| Peso del alimento del alimento en onzas | Ingresar el peso (décimos de libra) |
|---|-------------------------------------|
| 1-2 | .1 |
| 3 | .2 |
| 4-5 | .3 |
| 6-7 | .4 |
| 8 | .5 |
| 9-10 | .6 |
| 11 | .7 |
| 12-13 | .8 |
| 14-15 | .9 |

Descongelación Por Tiempo

Use Defrost By Time (Descongelar por Tiempo) para descongelar durante un período de tiempo seleccionado.

1. Presione la tecla **Microwave (Cocinar con Microondas)** y seleccione Defrost (Descongelar).
2. Gire el dial de selección a Defrost By Time (Descongelar por Tiempo). Presione el dial de selección para ingresar.
3. Gire el dial para seleccionar el tiempo que desee. Presione el dial de selección para ingresar.
4. Presione el dial de selección o la tecla **Start/Pause (Iniciar/ Pausar)** para iniciar la descongelación.
5. Gire los alimentos cuando el horno le indique Turn Food Over (Dar Vuelta A Los Alimentos).

El nivel de potencia se ajusta automáticamente a 3, pero puede cambiarse. Para cambiar los niveles de potencia, consulte la sección Nivel de potencia del microondas. Puede descongelar alimentos pequeños aumentando el nivel de potencia después de ingresar el tiempo. El nivel de potencia 7 corta el tiempo de descongelación total a cerca de la mitad; el nivel de potencia 10 corta el tiempo total de descongelación a cerca de un tercio. Cuando descongela a niveles de potencia más altos, los alimentos necesitarán atención más frecuente de la normal.

Cocción con Microondas (Cont.)

Defrost By Weight (Descongelar por Peso)

Use Defrost By Weight (Descongelar por Peso) para descongelar durante un período de tiempo seleccionado.

1. Presione la tecla **Microwave (Cocinar con Microondas)** y seleccione Defrost (Descongelar).
2. Gire el dial de selección a Defrost By Weight (Descongelar por Peso). Presione el dial de selección para ingresar.
3. Gire el dial para seleccionar el peso que desee. Presione el dial de selección para ingresar.

4. Presione el dial de selección o la tecla Start/Pause (Iniciar/ Pausar) para iniciar la descongelación.
5. Gire los alimentos cuando el horno le indique Turn Food Over (Dar Vuelta A Los Alimentos).

El nivel de potencia no puede ser modificado durante esta configuración.

Quick Defrost (Descongelación Rápida) con 1.0 lbs.

Use Quick Defrost (Descongelación Rápida) con 1.0 lbs. para una descongelación rápida de 1.0 lbs. de comida congelada.

1. Presione la tecla **Microwave (Cocinar con Microondas)** y seleccione la descongelación rápida con 1.0 lbs.
2. Presione el dial de selección o la tecla **Start/Pause (Iniciar/ Pausar)** para iniciar la descongelación. Presione el dial de selección para ingresar.

3. Gire los alimentos cuando el horno le indique Turn Food Over (Dar Vuelta A Los Alimentos).

El nivel de potencia no puede ser modificado durante esta configuración.

Consejos Para Descongelar

- Se pueden descongelar alimentos congelados en papel o plástico en el paquete cuando se utiliza la función Defrost By Food Type (Descongelar Por Tipo De Comida). Se deben cortar, perforar o ventilar los paquetes cerrados **después** de que se hayan descongelado los alimentos parcialmente. Se deben descubrir parcialmente los recipientes de almacenamiento plásticos.
- Se pueden descongelar y cocinar con microondas las meriendas preempacadas, de tamaño familiar, congeladas. Si el alimento se encuentra en un recipiente de lámina de aluminio, transféralo a un plato adecuado para microondas.
- Los alimentos que se echan a perder fácilmente no se deben dejar fuera del refrigerador durante más de una hora después descongelarse. La temperatura ambiente promueve el crecimiento de bacterias nocivas.
- Para una descongelación más uniforme de alimentos más grandes, tales como asados, utilice la función Defrost By Time (Descongelación Por Tiempo). Asegúrese que las carnes se encuentran completamente descongeladas antes de cocinarlas.
- Cuando los alimentos se encuentran descongelados, deben encontrarse fríos pero suaves en todas las áreas. Si aún se encuentran restos de hielo, vuélvalos a colocar en el microondas pero por un período muy corto de tiempo o déjelos reposar durante un par de minutos.

Cocción con Microondas (Cont.)

Cocción De Microondas Por Sensor

La función de sensor detecta el aumento de humedad liberada durante la cocción. El horno ajusta el tiempo de cocción automáticamente a los diferentes tipos y cantidades de comida.

No utilice las funciones de sensor dos veces en sucesión en la misma porción de comida ya que puede tener como resultado comida severamente sobrecocinada o quemada. Si el alimento no se cocina completamente después del primer conteo regresivo, utilice la función de Cook By Time (Cocinar Por Tiempo) para permitir tiempo de cocción adicional.

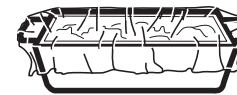
Los recipientes y tapas o cubiertas apropiadas son esenciales para obtener los mejores resultados con la cocción por sensor.

- Utilice siempre recipientes adecuados para microondas y cúbralos con tapas o envoltura plástica ventilada. Nunca utilice recipientes de plástico con sellado ajustado ya que pueden prevenir que el vapor escape ocasionando que se sobrecocinen los alimentos.

- Asegúrese de que el exterior de los recipientes de cocina y el interior del horno se encuentren secos antes de colocar los alimentos en el horno. Las gotas de humedad que se convierten en vapor pueden dar lecturas incorrectas al sensor.
- Las bebidas se calientan mejor descubiertas.



Cubiertas



Ventiladas



Seque los platos de modo que no den lecturas incorrectas al sensor.

PROGRAMAS DE SENSOR PARA COCCIÓN POR MICROONDAS:

- | | | |
|--|---|--|
| ■ Ground Meat (Carne molida) | ■ Chicken Reheat (Recalentamiento de pollo) | ■ Soup Reheat (Recalentamiento de sopa) |
| ■ Popcorn (Palomitas) | ■ Pasta Reheat (Recalentamiento de pasta) | ■ Vegetable Reheat (Recalentamiento de verduras) |
| ■ Soup (Sopa) | ■ Plate of Food Reheat (Plato de recalentamiento de comida) | |
| ■ Rice (Arroz) | | |
| ■ Vegetables (Verduras) (enlatadas, frescas, congeladas) | | |

Para Utilizar Todos Los Programas De Sensor

El modo de microondas del horno superior cuenta con cocción con sensor. De forma automática, detecta cuándo la comida está lista y se apaga, eliminando la necesidad de programar tiempos de cocción y niveles de potencia.

1. Presione la tecla **Microwave (Cocinar con Microondas)** y gire el dial de selección a Cook By Food Type (Cocinar por Tipo de Comida) o Reheat (Recalentar). Presione el dial de selección para ingresar.
2. Gire el dial para seleccionar la comida que desee. Presione el dial de selección para ingresar.
3. Presione el dial de selección o la tecla **Start/Pause (Iniciar/ Pausar)** para iniciar la cocción.

No abra la puerta del horno hasta que se esté realizando la cuenta regresiva en la pantalla o hasta que el microondas finalice la cocción. Si la compuerta se encuentra abierta, ciérrela y apriete Start/Pause (Iniciar/Pausar) inmediatamente. Si los alimentos aún no se encuentran lo suficientemente cocinados, utilice la función Cook By Time (Cocción Por Tiempo) en el selector de microondas para cocinar por más tiempo.

NOTA: No utilice las funciones de sensor dos veces en sucesión en la misma porción de comida ya que puede dar como resultado comida severamente sobrecocinada o quemada.

- Si ha estado utilizando la función de cocción rápida y el horno se encuentra caliente, esto puede ser una indicación de que está demasiado caliente como para cocinar por sensor. Por supuesto, siempre puede proceder a cocinar con la función Cook By Time (Cocción Por Tiempo).

NOTA: Si el horno se encuentra demasiado caliente, cambiará automáticamente a cocción por tiempo.

- Para disminuir o aumentar el tiempo de cocción, espere hasta que se muestre el conteo de tiempo regresivo en la pantalla. Luego gire el dial de selección para agregar o restar tiempo.
- Si abre la compuerta mientras se encuentra utilizando la función Sensor Cooking (Cocción Por Sensor), aparecerá el mensaje Sensor Error (Error De Sensor). Cierre la compuerta y apriete el botón **Start/Pause (Iniciar/Pausar)** para comenzar nuevamente.

Notas sobre el programa de Recalentamiento:

Los alimentos recalentados podrían tener amplias variaciones de temperatura. Algunas áreas se pueden encontrar extremadamente calientes.

Es mejor utilizar la función Cook By Time (Cocción Por Tiempo) y no Recalentar estos alimentos:

- Productos de pan.
- Los alimentos que deben recalentarse cubiertos.
- Los alimentos que necesitan revolverse o voltearse.
- Los alimentos que necesitan tener un aspecto seco o superficie crujiente después del recalentamiento.

Modos de Cocción

Su nuevo horno posee una variedad de modos de cocción para que pueda obtener los mejores resultados. Estos modos se describen a continuación. Para acceder a recomendaciones para comidas específicas, consulte la sección de la Guía de Cocción. Recuerde que es posible que su nuevo horno funcione de manera diferente que aquel que está reemplazando.

Modos de Horneado y Dorado

Seleccione un modo para hornear y dorar basado en el tipo y cantidad de comida que está preparando. Al preparar comidas horneadas tales como tartas, galletas y masas, siempre precaliente el horno primero. Siga las recomendaciones de la receta sobre la colocación de la comida. Si no se brindan pautas, centre la comida en el horno.

Horneado Tradicional

El modo de horneado tradicional está pensado para la cocción en un solo estante. Este modo usa el calor principalmente desde el elemento inferior, pero también desde el elemento superior para cocinar la comida. Para usar este modo presione la tecla **Bake (Hornear)**, gire el dial de selección para configurar la temperatura del horno y presione el dial para ingresar, y luego presione **Start (Iniciar)**. El precalentamiento generalmente se recomienda al usar este modo.

Modo para Asar

Siempre ase con la puerta cerrada. El elemento para asar en el horno es muy potente. Monitoree la comida de cerca al asar. Tenga cuidado al asar en posiciones de estantes superiores, ya que colocar la comida más cerca del elemento para asar incrementa el humo, salpicaduras y la posibilidad de que se incendien las grasas.

No se recomienda asar en el estante de la posición 6.

Intente asar las comidas que normalmente haría a la parrilla. Ajuste las posiciones de los estantes para ajustar la intensidad del calor a la comida. Coloque las comidas más cerca del elemento para asar, cuando se desee una superficie más cocinada y un interior poco cocido. Las comidas más gruesas y las comidas cuyo interior debe ser cocinado deberían ser asadas en un estante en una posición alejada del usado para asar, o usando las funciones Broil Lo (Asar Bajo). Para un mejor rendimiento, centre la comida debajo del elemento calentador para asar.

Asar Alto

El modo Broil Hi (Asar Alto) usa calor intenso del elemento superior para soasar las comidas. Use la función Broil Hi (Asado Alto) para cortes más delgados de carne y/o comidas que prefiera que quedan menos cocinadas en su interior. Para usar este modo presione la tecla **Broil (Asar)**, gire el dial de selección a Hi (Alto) y presione el dial para ingresar, y luego presione **Start (Iniciar)**. No es necesario realizar el precalentamiento al usar este modo.

Asar Bajo

El modo Broil Lo (Asar Bajo) usa menos calor intenso del elemento superior para cocinar la comida completamente mientras también se realiza el dorado superficial. Use la función Broil Lo (Asado Bajo) para cortes de carne más gruesos y/o comidas que desee que queden completamente cocinadas. Para usar este modo presione la tecla **Broil (Asar)**, gire el dial de selección a Lo (Bajo) y presione el dial para ingresar, y luego presione **Start (Iniciar)**. No es necesario realizar el precalentamiento al usar este modo.

Leudar

El modo Proof (Leudar) está diseñado para elevar (fermentar y leudar) masas de pan. Presione la tecla **Options (Opciones)**, gire el dial para seleccionar Proof (Leudar) y presione el dial para hacer la selección, y luego presione **Start (Iniciar)**. Cubra bien la masa para evitar que se seque. El pan se elevará más rápidamente que a temperatura ambiente. Se deberá observar que con los hornos de pared doble, la función para leudar no se podrá activar cuando se esté usando un modo de limpieza en el horno inferior.

Calentar

El modo Warm (Calentar) está diseñado para mantener comidas calientes hasta durante 3 horas. Para usar este modo presione la tecla **Options (Opciones)**, gire el dial para seleccionar Warm (Caliente) y presione el dial para hacer la selección, y luego presione **Start (Iniciar)**. Cubra las comidas que necesitan mantener la humedad y no cubra aquellas comidas que deberían quedar crocantes. No se requiere precalentar las mismas. No use la función Warm (Calentar) para calentar comida fría, excepto galletas crujientes, papas fritas o cereales secos. También se recomienda que la comida no se mantenga caliente por más de dos horas.

Modo Sabático

Su nuevo horno cumple con los requisitos del Feriado Sabático Judío de la Estrella K, contando con la función de cocción del modo Sabbath (Sabático). A continuación se describe en detalle la función del modo Sabbath (Sabático).

Para Ingresar a Sabbath Mode (Modo Sabático)

Presione la tecla Options (Opciones) del horno inferior y gire el dial a Sabbath (Sabático) y presione el mismo para hacer la selección. En la pantalla aparecerá "During Sabbath Mode the upper oven is unavailable" (Durante el Modo Sabático el horno superior no está disponible). Presione el dial de selección para continuar. Cualquier función del horno superior que esté funcionando se detendrá, y el horno inferior hará una transición inmediata al modo Sabbath (Sabático).

Para Cambiar la Temperatura

Una vez en el modo Sabbath (Sabático), a fin de modificar la temperatura del horno o de iniciar una función de horneado, el usuario podrá cambiar la temperatura a una de las 10 temperaturas configuradas previamente, como se indica a continuación:

| Tecla UI | Temperatura (°F) |
|---|---------------------------|
| Teclas del Lado Izquierdo (Horno Superior) | |
| Microwave (Cocinar en el Microondas) | 170 |
| Speed Cook/ Defrost (Cocción Rápida/ Descongelar) | 200 |
| Cooking Options/ Popcorn (Opciones de Cocción/ Palomitas de Maíz) | 225 |
| Add 30 Sec (Agregar 30 Segundos) | 250 |
| Convection Bake/Reheat (Hornear por Convección/ Recalentar) | 300 |
| Teclas del Lado Derecho (Horno Inferior) | |
| Back (Retroceder) | 0 |
| Clear/Off (Borrar/ Apagar) | Se cancela inmediatamente |
| Light (Luz) | 325 |
| Bake (Hornear) | 350 |
| Broil (Asar) | 375 |
| Convection Bake/Warm (Hornear por Convección/ Calentar) | 400 |
| Options (Opciones) | 450 |

El cambio a una de las temperaturas anteriores requiere que el usuario presione la tecla asociada con la temperatura deseada y que luego presione la tecla **Start/Pause (Iniciar/ Pausar)**. Por ejemplo, para configurar Hornear 350°F, el usuario deberá presionar la tecla **Bake (Hornear)** en el horno inferior y luego presionar la tecla **Start/Pause (Iniciar/ Pausar)**.

La función Bake (Hornear) se iniciará (o si ya está funcionando, la temperatura del horno cambiará) en un momento al azar entre los 30 y 60 segundos luego de que la tecla **Start/Pause (Iniciar/ Pausar)** haya sido presionada, con la excepción de presionar la tecla **Clear/Off (Borrar/ Apagar)**, lo cual cancelará de inmediato las configuraciones de cocción. (La unidad permanecerá en el modo Sabático). El cambio de temperatura puede ser ejecutado en cualquier momento durante el ciclo de cocción.

Para Apagar el Horno

Presione la tecla **Clear/Off (Borrar/ Apagar)** o **Back (Retroceder)** y luego la tecla **Start (Iniciar)** en cualquier momento. El horno se apagará de inmediato, pero permanecerá en el modo Sabbath (Sabático) y regresará a la pantalla de suspensión de Sabbath (Sabático).

Para Salir del Modo Sabático

Mantenga presionada la tecla **Back (Retroceder)** durante 3 segundos. El horno se apagará en un momento al azar entre los 30 y 60 segundos, luego de que la tecla **Back (Retroceder)** se mantenga presionada.

NOTA: No presione ninguna otra tecla durante este momento, ya que de lo contrario el modo Sabbath (Sabático) será reiniciado y no se podrá salir del mismo.

El horno saldrá del modo Sabbath (Sabático) y regresará a la pantalla por omisión.

Función de Cocción por Tiempo en el Modo Sabático

El modo Sabbath (Sabático) no puede activar una función de cocción por tiempo por sí solo. Si se desea activar Timed Cook (Cocinar por Tiempo), se deberán realizar los siguientes pasos:

- Use la tecla **Settings (Configuraciones)** para configurar Beeper Volumen (Volumen del Pitido) en Mute (Mudo).
- Use la tecla **Light (Luz)** para configurar la luz de su horno inferior en On (Encender).
- Use **Bake (Hornear)** para programar una temperatura. Luego de programar una temperatura, seleccione un tiempo de cocción e ingrese su tiempo de cocción. Presione la tecla Start (Iniciar) para iniciar el horno.
NOTA: NO se deberá usar Convection Bake (Hornear por Convección).
- Una vez iniciado el horno, NO abra la puerta hasta que el mismo se haya terminado de precalentar y haya alcanzado una temperatura pareja. Hacer esto antes de que se complete el precalentamiento hará que el ventilador de distribución del aire pierda potencia de forma inmediata al abrir la puerta.
- Una vez que la comida fue colocada en el horno, no abra la puerta hasta que la cocción se haya completado. Hacer esto hará que la imagen de la pantalla cambie y le indique que cierre la puerta.
- NO abra la puerta del horno superior. Hacer esto encenderá la luz de forma inmediata.
- No presione ningún botón adicional en los controles del horno inferior una vez iniciada la cocción, ya que de lo contrario la pantalla cambiará inmediatamente al presionar el botón.

NOTAS

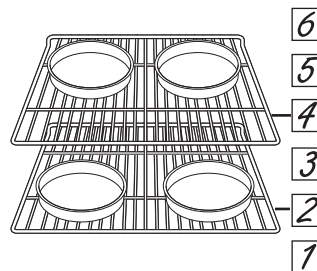
- Durante la función Sabbath Mode (Modo Sabático), sólo Bake (Hornear) en el horno inferior está disponible. Broil (Asar), Convection Bake (Hornear por Convección), Warm (Calentar), u otras funciones no están disponibles.
- En el modo Sabbath (Sabático), el apagado automático luego de 12 horas está desactivado, sin importar qué configuración fue seleccionada en Settings (Configuraciones).
- El modo Sabbath (Sabático) puede ser ingresado sólo si ningún modo de cocción está funcionando en el horno inferior. Ingresar a Sabbath Mode (Modo Sabático) cancelará todas las funciones del horno inferior y superior (incluyendo el temporizador y el recordatorio).
- Cuando un botón es presionado en Sabbath Mode (Modo Sabático), no hay pitidos ni tonos, ni cambios en las luces o en la pantalla. Además, cuando la puerta es abierta o cerrada en Sabbath Mode (Modo Sabático), no hay pitidos ni tonos, ni cambios en las luces o en la pantalla.
- Si se produce un corte de corriente durante el horneado en el modo Sabbath (Sabático), la unidad regresará a dicho modo cuando el suministro de corriente sea restablecido, pero no regresará al modo de horneado.

Guía de Cocción

| TIPO DE COMIDA | MODO(S) RECOMENDADO(S) | POSICIÓN(ES) DE ESTANTES RECOMENDADA | SUGERENCIAS ADICIONALES |
|--|------------------------|--|---|
| Productos Horneados | | | |
| Tortas con capas, tortas rectangulares, roscas, panecillos, pan rápido en un Solo Estante | Hornear | 3 | Use utensilios brillantes. |
| Tortas con capas* en Múltiples Estantes | Hornear | 2 y 4 | Asegúrese de que haya un flujo de aire adecuado (Vea la ilustración). |
| Tortas de grasa (pastel de ángel) | Hornear | 1 | Use utensilios brillantes. |
| Galletas, galletitas, bizcochitos en un Solo Estante | Hornear | 3 | Use utensilios brillantes. |
| Galletas, galletitas, bizcochitos en Múltiples Estantes | Hornear | 2 y 4 | Con comidas tales como galletas con azúcar, cambie la ubicación de la comida parcialmente durante la cocción, a fin de lograr resultados de cocción más parejos entre los estantes.. |
| Bife y Cerdo | | | |
| Hamburguesas | Asar Alto | 5 | Use una olla para asa; precaliente 5 minutos si usará el Modo para Asar por Convección. Mueva la comida hacia abajo para que quede más preparada y menos soasada. Preste atención a la comida al asarla. Para un mejor rendimiento, centre la comida debajo del elemento que emite calor para asar. |
| Bifes y Chuletas | Asar Alto | 5 | Use una olla para asar; Mueva la comida hacia abajo para que quede más preparada y menos soasada. Preste atención a la comida al asarla. Para un mejor rendimiento, centre la comida debajo del elemento calentador para asar. |
| Dorados | Hornear | 2 o 3 | Deje sin cubrir, use una olla chata tal como una olla para asar. No se requiere precalentarla. |
| Ave | | | |
| Pollo entero | Hornear | 2 o 3 | Use una olla chata tal como una olla para asar. |
| Pechugas, patas, muslos con huesos | Asar Alto | 1 | Si se empanó o cubrió con salsa, evite los modos Broil Hi (Asar Alto). Ase del lado de la piel hacia abajo primero. Preste atención a la comida al asarla. Para un mejor rendimiento, centre la comida debajo del elemento calentador para asar. |
| | Asado Bajo Hornear | 3 | |
| Pechugas de pollo deshuesadas | Asado Bajo Hornear | 3 | Mueva la comida más abajo para que quede más preparada y menos soasada y más arriba para soasar/ dorar al asar. Para un mejor rendimiento, centre la comida debajo del elemento calentador para asar. |
| Pavo entero | Hornear | 1 o 2 | Usa una olla chata tal como una olla para asar. |
| Pechuga de pavo | Hornear | 2 o 3 | Use una olla chata tal como una olla para asar. |
| Pescado | Asado Bajo | 5 (mitad del grosor o menos) 4 (>1/2 pulgada) | Precaliente 5 minutos al Asar por Convección. Preste atención a la comida al asarla. Para un mejor rendimiento, centre la comida debajo del elemento calentador para asar. |
| Cazuelas | Hornear | 3 | |
| Comidas Congeladas a Conveniencia | | | |
| Pizza, papas fritas, tator tots, patitas de pollo fritas, aperitivos en un Solo Estante | Hornear | 3 | Use utensilios brillantes. |
| Pizza, papas fritas, tator tots, patitas de pollo fritas, aperitivos en Múltiples Estantes | Hornear | 2 y 4 | Use utensilios brillantes. Cambie la ubicación de la comida parcialmente durante la cocción, a fin de obtener resultados de cocción más parejos. |

*Al hornear cuatro tortas con capas a la vez, use los estantes 2 y 4. Coloque las ollas como se muestra, de modo que no quede una olla encima de la otra.

Cocine la comida completamente para evitar que se produzcan enfermedades a partir de la comida. Puede encontrar recomendaciones sobre temperatura mínima para cocinar de forma segura en IsItDoneYet.gov. Asegúrese de usar un termómetro de comidas para medir la temperatura de las mismas.



Estantes

El horno cuenta con seis posiciones de estantes. En la Guía de Cocción, se brindan recomendaciones de posiciones de los estantes para diferentes tipos de comidas. Se ajusta un estante en una dirección para afectar los resultados de cocción. Por ejemplo, si se prefieren partes superiores más oscuras en tartas, panecillos o galletas, pruebe moviendo la comida a un estante que se encuentre una posición más arriba. Si encuentra que las comidas están demasiado doradas en la parte superior, pruebe moviendo las mismas más abajo la próxima vez.

Al hornear con múltiples ollas y en múltiples estantes, asegúrese de que haya suficiente espacio entre las ollas para que fluya el aire.

Flat Racks

Al colocar y retirar utensilios de cocina, empuje el estante hacia afuera del tope (posición de detención) sobre el soporte del estante.

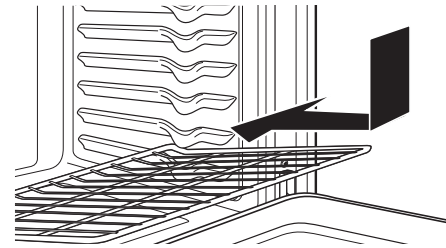
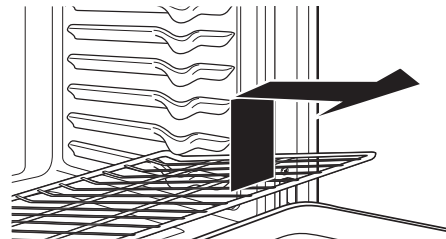
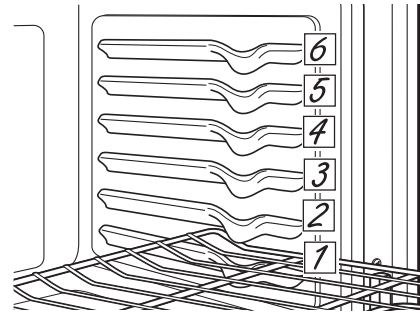
Para retirar el estante, empuje el mismo hacia usted, incline el extremo frontal hacia arriba y empuje hacia afuera.

Para hacer un reemplazo, coloque el extremo curvo del estante (bloqueadores) en los soportes del horno, incline hacia arriba el frente y empuje el estante hacia adentro.

Es posible que resulte difícil deslizar los estantes, especialmente luego de la limpieza automática. Coloque aceite vegetal en una tela húmeda o toalla de papel y frote sobre los extremos izquierdo y derecho.

NOTA: El uso de otros aceites de cocina provocará una decoloración o un residuo de color similar al óxido en los estantes y laterales de las cavidades. Para limpiar este

residuo, use agua y jabón o una solución de vinagre y agua. Enjuague con agua limpia y seque con una tela seca.



Papel de Aluminio y Cobertores del Horno

⚠ PRECAUCIÓN

No use ningún tipo de aluminio o cobertor de horno para cubrir el fondo del horno. Estos ítems pueden atrapar el calor o derretirse, ocasionando daños sobre el producto y el riesgo de descargas, humo o incendios. Los daños por uso inadecuado de estos ítems no están cubiertos por la garantía del producto.

Se podrá usar aluminio para evitar derrames, colocando una hoja sobre un estante inferior varias pulgadas debajo de la comida. No use más aluminio que el necesario y nunca cubra totalmente el estante de un horno con papel de aluminio. Mantenga el aluminio a por lo menos 1 1/2" de las paredes del horno, para evitar una circulación deficiente del calor.

Utensilios

Pautas de Uso de Utensilios

El material, el acabado y el tamaño de los utensilios afectan el horneado.

Las ollas oscuras, revestidas y opacas absorben el calor más rápidamente que las ollas claras y brillantes. Al usar ollas que absorben el calor más rápidamente, las comidas podrán resultar más doradas, crocantes y con una capa más gruesa.

Si utiliza utensilios oscuros y revestidos, controle la comida antes del tiempo mínimo de cocción. Si se obtienen resultados no deseados con este tipo de utensilios, considere la posibilidad de reducir la temperatura del horno en 25° F la próxima vez.

Las ollas brillantes pueden producir resultados de horneado más parejos en tortas y galletas.

Las ollas de vidrio y cerámica calientan con lentitud, pero retienen bien el calor.

Estos tipos de ollas funcionan bien con platos tales como tartas y postres con natilla.

Las ollas con aislante de aire calientan lentamente y pueden producir fondos dorados.

Mantenga los utensilios limpios para una cocción más pareja.

Limpieza del Horno

Asegúrese de que la corriente eléctrica esté apagada y que todas las superficies estén frías antes de limpiar cualquier parte del horno.

Consejos Útiles

Una limpieza minuciosa ocasional con un trapo empapado de bicarbonato sódico y agua mantendrá el interior fresco. También recomendamos no usar limpiadores con amoníaco o alcohol, ya que pueden dañar el aspecto del horno. Si elige usar un limpiador hogareño común, primero aplique el limpiador directamente sobre una tela seca, y luego limpie el área que se encuentre sucia.

Panel de Control

Una buena idea es limpiar el panel de control luego de cada uso. Limpie con un jabón suave y agua o vinagre y agua, enjuague con agua limpia y pule en seco con una tela suave. No use limpiadores abrasivos, limpiadores líquidos fuertes, almohadillas para fregar de plástico ni limpiadores de horno en el panel de control; dañarán el acabado.

Exterior del Horno

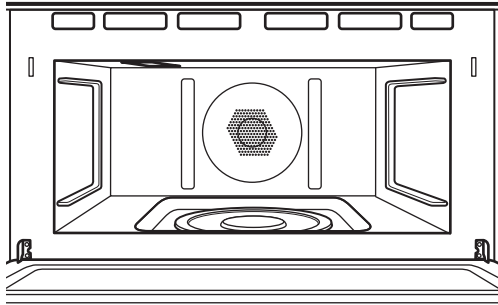
No use limpiadores de horno, limpiadores abrasivos, limpiadores líquidos fuertes, estropajos de acero, almohadillas para fregar de plástico, ni polvos limpiadores en el interior o el exterior del horno. Limpie el mismo con agua y jabón o

una solución de vinagre y agua. Enjuague con agua limpia y seque con una tela seca. Al limpiar superficies, asegúrese de que estén a temperatura ambiente y fuera del contacto con la luz solar. Si las manchas en el borde de la ventana de la puerta son persistentes, use un limpiador abrasivo suave o una esponja con estropajo para obtener un mejor resultado. El derrame de adobo, jugos de fruta, salsas de tomate y líquidos para humedecer que contengan ácidos pueden ocasionar descoloración y se deberán limpiar de inmediato. Deje que las superficies calientes se enfríen, y luego limpie y enjuague.

Superficies de Acero Inoxidable (en algunos modelos)

No use virutas de acero; éstas dañarán la superficie. Para limpiar la superficie de acero inoxidable, use agua tibia con jabón o un limpiador o pulidor para acero inoxidable. Siempre limpie la superficie en la dirección del veteado. Siga las instrucciones del limpiador para limpiar la superficie de acero inoxidable. Para realizar consultas sobre la adquisición de productos, incluyendo limpiadores o pulidores para electrodomésticos de acero inoxidable, consulte las secciones de Accesorios y Soporte al Consumidor al final de este manual.

Cómo Limpiar el Interior del Horno Superior



Paredes, piso, ventanilla interna, piezas de metal y plástico en la compuerta

Limpie el interior del horno con frecuencia para que caliente bien.

Se pueden remover algunas partículas con una toalla de papel; otras pueden requerir un trapo caliente con una solución jabonosa. Elimine las partículas de grasa con un trapo humedecido con agua jabonosa, luego enjuague con un trapo húmedo.

No utilice limpiadores abrasivos o utensilios puntiagudos en las paredes del horno.

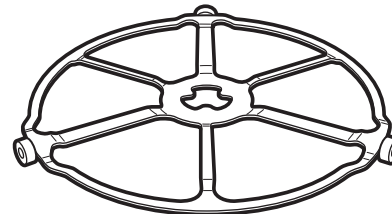
Nunca utilice un limpiador de horno comercial en ninguna pieza del horno.

No limpie el interior del horno con esponjillas metálicas para fregar. Pueden desprenderse piezas de la esponjilla metálica, ocasionando una descarga eléctrica.

Sello de la compuerta

Es importante mantener el área limpia en el lugar donde la compuerta se sella contra el horno. Utilice únicamente detergentes de acción mediana, no abrasivos aplicados con una esponja o trapo húmedo. Enjuáguela bien.

Base Giratoria Desmontable



Base giratoria

No haga funcionar el horno sin tener colocada en su lugar la base giratoria.

Se debe limpiar con frecuencia el área localizada debajo de la base giratoria para evitar olores y humo durante un ciclo de cocción.

Si se deja caer, la base giratoria se puede romper. Lávela cuidadosamente en agua tibia jabonosa. Séquela completamente y vuelva a colocarla.

Para colocar la base giratoria, coloque su centro sobre el rotor ubicado en el centro del horno y gírela hasta que se asiente en su lugar. (Asegúrese de que la superficie lisa de la base giratoria se encuentre colocada hacia arriba y que el centro se encuentre asentado de manera segura en el rotor.)

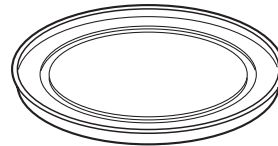
Limpieza del Horno (Cont.)

How To Clean The Upper Oven Interior (Cont.)

Bandejas Para Cocinar Y Lámina De Hornear

Para evitar que se rompan las bandejas, deje que se enfríen completamente antes de limpiarlas. Lave las bandejas en agua jabonosa tibia o en la máquina lavaplatos.

No utilice esponjillas metálicas para fregar o limpiadores abrasivos, ya que pueden dañar el acabado. Se puede utilizar una esponjilla cubierta de jabón para limpiar las bandejas.



Bandeja de vidrio transparente para la función de microondas

Cómo Limpiar el Interior del Horno Inferior

El interior de su nuevo horno puede ser limpiado de forma manual o utilizando los modos Steam Clean (Limpieza con Vapor) o Self Clean (Limpieza Automática).

El derrame de adobo, jugos de fruta, salsas de tomate y líquidos para humedecer que contengan ácidos pueden ocasionar descoloración y se deberán limpiar de inmediato. Espere a que las superficies calientes se enfríen, y luego limpie y enjuague.

Limpieza Manual

No use limpiadores de horno, limpiadores abrasivos, limpiadores líquidos fuertes, estropajos de acero, almohadillas para fregar, ni polvos limpiadores en el interior del horno. Limpie el mismo con agua y jabón o una solución de vinagre y agua. Enjuague con agua limpia y seque con una tela seca. Al limpiar superficies, asegúrese de que estén a temperatura ambiente y fuera del contacto con la luz solar.

Modo de Limpieza con Vapor

La limpieza con vapor está pensada para limpiar pequeños derrames usando agua y a una temperatura de limpieza más baja que la función Self Clean (Limpieza Automática).

Para usar la función Steam Clean (Limpieza con Vapor), limpie las grasas y suciedades del horno. Vierta una taza de agua en la parte inferior del horno. Cierre la puerta. Presione la tecla **Options (Opciones)**, seleccione Steam Clean (Limpieza con Vapor), y luego presione **Start (Iniciar)**. La puerta del horno se trabará. No podrá abrir la puerta durante los 30 minutos de la limpieza con vapor, ya que esto reducirá su rendimiento. Al finalizar el ciclo de limpieza al vapor, la puerta se destrabará. Limpie cualquier exceso de agua y cualquier suciedad que haya quedado.

Estantes Planos

Los estantes planos se podrán dejar en la cavidad durante la limpieza automática (si se trata de estantes esmaltados, no brillantes) o se podrán lavar con agua caliente y jabón.

Es posible que resulte difícil deslizar los estantes, especialmente luego de la limpieza automática. Coloque aceite vegetal en una tela húmeda o toalla de papel y frote el mismo sobre los extremos izquierdo y derecho.

Modo de Limpieza Automática

Lea las Instrucciones de Seguridad del Horno con Limpieza Automática, en el comienzo de este manual antes de usar el modo Self Clean (Limpieza Automática). Este modo usa temperaturas muy altas para limpiar el interior del horno. Cuando use esta función, la puerta del horno se trabará. Antes de utilizar el ciclo de limpieza automática, limpie la grasa y restos de comida que haya en el horno. Retire todos los artículos del horno, excepto los estantes esmaltados (color oscuro). Los estantes brillantes o de plata y cualquier utensilio u otros artículos deberían ser retirados del horno antes de iniciar un ciclo de limpieza automática. Presione la tecla **Options (Opciones)**, seleccione Self Clean (Limpieza Automática) y se exhibirá un tiempo de limpieza automática por omisión. El tiempo de limpieza puede ser modificado a 3, 4 o 5 horas, usando el dial de selección. Cuando el nivel de suciedad en el horno sea muy alto, se recomienda usar el tiempo de limpieza máximo de 5 horas. Si desea usar el tiempo por omisión, presione la tecla **Start (Iniciar)** inmediatamente luego de seleccionar la tecla Self Clean (Limpieza Automática). El horno se apagará de forma automática cuando el ciclo de limpieza automática sea completado. La puerta permanecerá bloqueada hasta que el horno se haya enfriado. Una vez que el horno se haya enfriado, limpie cualquier ceniza que haya quedado en el horno.

IMPORTANTE: Las emanaciones producidas por el ciclo de autolimpieza de cualquier horno afectan la salud de algunas aves de manera notoria. Procure llevar sus aves a otra habitación bien ventilada.

NOTA: El uso de otros aceites de cocina provocará una descoloración o un residuo de color similar al óxido en los estantes y laterales de las cavidades. Para limpiar este residuo, use agua y jabón o una solución de vinagre y agua. Enjuague con agua limpia y seque con una tela seca.

Mantenimiento del Horno Inferior

⚠️ ADVERTENCIA

PELIGRO DE DESCARGA ELÉCTRICA O QUEMADURAS: Antes de reemplazar la bombilla del horno, desconecte la alimentación de energía al horno desde el panel principal de fusibles o del interruptor de circuitos. No hacerlo puede provocar una descarga eléctrica o una quemadura.

⚠️ PRECAUCIÓN

RIESGO DE INCENDIO: La tapa de vidrio y la lámpara de luz se deberán retirar cuando estén frías. Tocar el vidrio caliente sin protección en las manos o con un trapo húmedo puede ocasionar quemaduras.

Reemplazo de la bombilla del horno

1. Desconecte la corriente desde el fusible principal o el panel del disyuntor.
2. Retire los estantes del horno.
3. Deslice un destornillador de punta plana entre la caja y la tapa de luz de vidrio.
4. Apoye la tapa de luz de vidrio con dos dedos para evitar que se caiga al fondo del horno. Tenga cuidado de no astillar la cubierta del horno.
5. De forma suave, gire la punta del destornillador para aflojar la tapa de luz de vidrio.
6. Retire la tapa de luz de vidrio.
7. Retire la lámpara sosteniendo firmemente y deslizando la misma hacia afuera, hasta que las dos clavijas hayan dejado el soporte de cerámica.
8. No toque el vidrio de la nueva lámpara con los dedos. Esto hará que la lámpara falle al dar luz. Tome la lámpara de reemplazo con una toalla limpia o un pañuelo de papel con las clavijas hacia abajo. Aliñe las dos clavijas en el soporte de cerámica, presionando suavemente hasta que la lámpara quede asegurada en la ficha de cerámica.
9. Deslice las lentes protectoras del soporte y presione hasta que las pinzas queden enganchadas en la caja.
10. Vuelva a conectar la corriente.

Puerta del Horno

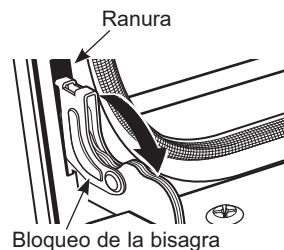
Levante la Puerta del Horno Inferior

La puerta es muy pesada. Tenga cuidado al retirar y levantar la puerta.

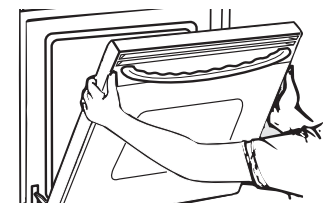
No levante la puerta usando la manija.

Para retirar la puerta:

1. Abra la puerta totalmente.
2. Empuje los bloqueos de la bisagra hacia abajo en dirección a la estructura de la puerta, hasta la posición desbloqueada. Es posible que necesite una herramienta tal como un destornillador pequeño de punta plana.
3. Firmemente tome ambos lados de la puerta por la parte superior.
4. Cierre la puerta hasta la posición de retiro de la misma. La puerta debería ser abierta aproximadamente a 3", sin obstrucción sobre la misma.
5. Levante la puerta hacia arriba y afuera, hasta que los brazos de las bisagras queden fuera de las ranuras.



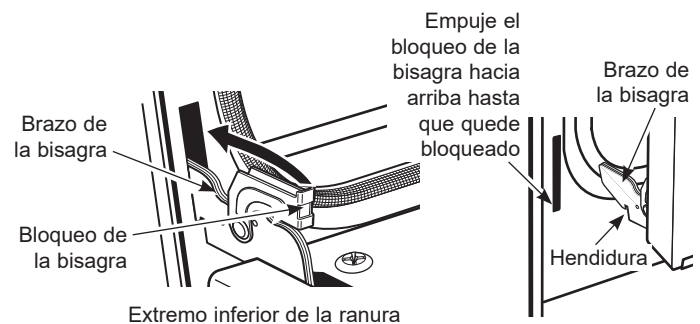
Empuje los bloqueos de la bisagra hacia abajo para desbloquear



Posición de retiro

Para reemplazar la puerta:

1. Firmemente tome ambos lados de la puerta por la parte superior.
2. Comenzando desde el lado izquierdo, con la puerta en el mismo ángulo de la posición de retiro, apoye la hendidura del brazo de la bisagra en el extremo inferior de la ranura de la bisagra. La abertura en el brazo de la bisagra deberá estar totalmente apoyada en la parte inferior de la ranura. Repita el procedimiento del lado derecho.
3. Abra la puerta totalmente. Si la puerta no se abre totalmente, la hendidura no está correctamente apoyada en el extremo inferior de la ranura.
4. Empuje los bloqueos de la bisagra contra la estructura frontal de la cavidad del horno, hasta la posición de bloqueo.
5. Cierre la puerta del horno.



Consejos para la Solución de Problemas... Antes de solicitar el servicio técnico

¡Ahorre tiempo y dinero! Primero revise los cuadros que aparecen en las siguientes páginas y es posible que no necesite solicitar reparaciones.

| Problema | Causa Posible | Qué Hacer |
|--|---|--|
| LUCES | | |
| La luz durante un ciclo de cocción rápida se atenúa y se cicla incluso a máximos niveles de potencia | Esto es normal. El nivel de potencia ha sido se reduce automáticamente debido a que el horno se encuentra caliente. | Esto es normal. El horno detecta el nivel de calor y se ajusta automáticamente. |
| Luz visible alrededor la compuerta y cubierta externa mientras cocción rápida | Esto es normal. | Cuando el horno se encuentra encendido la luz sea visible alrededor de la compuerta y cubierta externa. |
| VENTILADOR | | |
| El ventilador continúa funcionando después de terminar de cocinar | El horno se está enfriando. | El ventilador se apagará automáticamente cuando las piezas internas del horno se hayan enfriado. |
| El ventilador del horno irradia aire caliente mientras el horno se encuentra encendido | Esto es normal. | |
| El ventilador se enciende automáticamente cuando utilizando el microondas | Esto es normal. | |
| COCCIÓN | | |
| El horno hace sonidos inusuales mientras se cocina | Chasquidos y ventiladores soplando son normales. El tablero de relés está encendiendo y apagando los componentes. | Estos sonidos son normales. |
| Se expulsa humo del horno cuando abro la compuerta | Los alimentos tienen alto contenido de grasa. Pulverizador en aerosol utilizado en las bandejas. | El humo es normal cuando se cocina alimentos con alto contenido de grasa. |
| La comida no está completamente cocinada o dorada al finalizar un programa de cocción | Los tiempos programados podrían no corresponder al tamaño o cantidad de comida que está cocinando. | Ajustar el tiempo para nivel de cocción o ajuste las luces superiores o inferiores para asar y para el nivel de cocción. |
| SENSOR ERROR (ERROR DE SENSOR) mostrado junto con una señal del horno | Cantidad o tipo de comida colocado en el horno no corresponde con la programación que fue elegido. | Apriete el botón Clear/Off (Borrar/ Apagar) Ajuste el programa del horno corresponda con la comida o líquido a ser cocinado o calentado. |
| | Vapor no detectado por el horno porque la envoltura plástico no se ventiló, una tapa muy ajustada estaba sobre el plato o se cubrió un líquido. | Ventile la envoltura de plástico, utilice una tapa más floja o destape los líquidos cuando los cocine o caliente. |
| PANTALLA | | |
| La pantalla se encuentra en blanco | Es posible que el modo de ahorro de corriente esté activado. | Revise el menú Settings (Configuraciones) para el reloj ajustes de la pantalla. Encienda la pantalla. |
| | Es posible que un fusible de su hogar se haya quemado o que el disyuntor se haya desconectado. | Reemplace el fusible o reinicie el disyuntor. |
| | Corte o exceso de corriente | Reinicie el reloj. Si el horno estuvo en uso, deberá reiniciar el mismo presionando la tecla Clear/Off (Borrar/ Apagar) configurando el reloj y reiniciando cualquier función de cocción. |
| Control is LOCKED (Control BLOQUEADO) aparece en la pantalla | El control ha sido bloqueado. | Mantenga presionada la tecla Settings (Configuraciones) durante 3 segundos para desbloquear el control. |

Consejos para la Solución de Problemas... Antes de solicitar el servicio técnico

| Problema | Causa Posible | Qué Hacer |
|--|---|---|
| PANTALLA | | |
| La pantalla de control está iluminada pero el horno no se inicia | No se ha programado el reloj. | Programa el reloj. |
| | Compuerta no cerrada bien. | Abra la compuerta y ciérrela bien. |
| | La tecla Start/Pause (Iniciar/ Pausar) no se presionó luego de ingresar la configuración de la cocción. | Presione la tecla Start/Pause (Iniciar/ Pausar) o el dial de selección. |
| | Ya se ha ingresado otra selección en el horno y no se ha apretado el botón Clear/Off (Borrar/ Apagar) para cancelarla. | Presione la tecla Clear/Off (Borrar/ Apagar). |
| | Tamaño, cantidad o tiempo de cocción no ingresado después de la selección final. | Asegúrese que ha ingresado el tiempo después de seleccionar. |
| Se apretó Clear/Off (Borrar/ Apagar) accidentalmente. | Reinicie el programa de cocción y presione la tecla Start/ Pause (Iniciar/ Pausar). | |
| OTROS PROBLEMAS | | |
| La compuerta y el interior del horno se sienten calientes | Las lámparas térmicas producen calor intenso en un espacio reducido. | Esto es normal. Use guantes térmicos de cocina para sacar la comida cuando esté lista. |
| El horno no enciende | Un fusible en su hogar puede haberse fundido o el interruptor de circuitos fue activado. | Reemplace el fusible o reinicie sus interruptores de circuitos. |
| No puede editar las funciones de cocción | Es posible que algunas funciones de cocción programadas previamente no se puedan editar a fin de evitar la degradación del rendimiento de la cocción. | Esto es normal. |
| La teclas de este lado del control no funcionan | El control bloqueó el uso de estas teclas y se debe reiniciar. | Mantenga presionada la tecla Clear/Off (Borrar/ Apagar) del otro lado de la pantalla durante 30 segundos. Si esto no reinicia el control, podrá ser necesario hacer que el disyuntor realice ciclos. |

Consejos para la Solución de Problemas... Antes de solicitar el servicio técnico

| Problema | Causa Posible | Qué Hacer |
|--|---|---|
| Mi horno nuevo no cocina como el anterior. ¿Hay algún problema con las configuraciones de temperatura? | Su horno nuevo cuenta con un sistema de cocción diferente con relación al anterior y, por lo tanto, es posible que cocine de forma diferente. | En los primeros usos, use los tiempos y temperaturas de su receta con cuidado. Si aún piensa que su horno nuevo cocina con demasiado calor o demasiado frío, podrá ajustar el termostato usted mismo para aplicar su preferencia de cocción específica. NOTA: Este ajuste afecta las temperaturas de la función Bake (Hornear); no afectará las funciones Broil (Asar) o Clean (Limpiar). |
| La comida no se hornea de forma apropiada | Controles del horno configurados de forma incorrecta. | Consulte la sección Modos de Cocción. |
| | La posición del estante es incorrecta o el estante no está nivelado. | SeConsulte la sección Modos de Cocción y la Guía de Cocción. |
| | Uso de una cacerola incorrecta o de una cacerola de tamaño incorrecto. | Consulte la sección Utensilios. |
| | La temperatura del horno debe ser ajustada. | Consulte la sección Settings (Configuraciones) . |
| | Sustitución de ingredientes | Sustituir ingredientes puede modificar el resultado de la receta. |
| La comida no asa de forma apropiada | Controles del horno configurados de forma incorrecta. | Asegúrese de seleccionar el modo correcto para asar. |
| | Se usó una posición incorrecta del estante. | Para acceder a sugerencias de ubicación de estantes, consulte la Guía de Cocción. |
| | Se cocinó comida en una olla caliente. | Asegúrese de que el utensilio esté frío |
| | Utensilio de cocina inadecuado para asar. | Use una olla específicamente diseñada para asar |
| | El papel de aluminio usado para la olla y la rejilla para asar no se ajustó ni cortó de forma apropiada, según lo recomendado. | Si usará papel de aluminio, deberá usarse conforme con las aberturas de la olla. |
| | En algunas áreas, es posible que el nivel de corriente (voltaje) sea bajo. | Precaliente el elemento para asar durante 10 minutos. |
| La temperatura del horno es demasiado caliente o demasiado fría | La temperatura del horno debe ser ajustada. | Consulte la sección Settings (Configuraciones) . |
| El horno no funciona o parece no funcionar | Es posible que un fusible de su hogar se haya quemado o que el disyuntor se haya desconectado. | Reemplace el fusible o reinicie el disyuntor. |
| | Controles del horno configurados de forma incorrecta. | Consulte la sección Uso del Horno. |
| | El horno se encuentra en Sabbath Mode (Modo Sabático) | Verifique que el horno no esté en Sabbath Mode (Modo Sabático). Consulte la sección del Modo Sabático. |
| Sonido de "chisporroteo" o "traqueo" | Éste es el sonido de metal calentándose o enfriándose durante las funciones de cocción y limpieza. | Esto es normal. |
| ¿Por qué la estufa hace un sonido de "clic" cuando uso el horno? | Su estufa fue diseñada para mantener un control más ajustado sobre la temperatura del horno. Es posible que escuche que los elementos de calentamiento del horno hagan sonidos de "clic" con mayor frecuencia que con hornos más antiguos para lograr mejores resultados durante los ciclos de horneado, asado, convección y limpieza automática. | Esto es normal. |
| El reloj y el temporizador no funcionan | Es posible que un fusible de su hogar se haya quemado o que el disyuntor se haya desconectado. | Reemplace el fusible o reinicie el disyuntor. |
| La luz del horno no funciona | La lámpara está floja o presenta defectos. | Ajuste o reemplace la lámpara. |
| | La luz de funcionamiento del interruptor está rota. | Llame al servicio técnico. |
| El modo de limpieza automática del horno no funciona | La temperatura del horno es demasiado caliente como para configurar la limpieza automática. | Espere a que el horno se enfríe y reinicie los controles. |
| | Los controles del horno están configurados de forma incorrecta. | Consulte la sección de Limpieza del Horno. |
| Exceso de humo durante un ciclo de limpieza | Suciedad o grasa excesiva. | Presione la tecla Clear/Off (Borrar/ Apagar) Abra las ventanas para liberar el humo en la habitación. Espere hasta que la pantalla OVEN IS COOLING; DOOR IS LOCKED (El horno se está enfriando; la puerta está bloqueada) desaparezca. Limpie el exceso de suciedad y reinicie el ciclo de limpieza. |
| Humo excesivo al asar | La comida está demasiado cerca del quemador. | Baje la posición del estante con comida. |
| La puerta del horno no se abrirá luego de un ciclo de limpieza | El horno está demasiado caliente. | Espere a que el horno se enfríe por debajo de la temperatura de bloqueo. |

Consejos para la Solución de Problemas... Antes de solicitar el servicio técnico

| Problema | Causa Posible | Qué Hacer |
|--|--|---|
| El horno no limpia luego de un ciclo de limpieza | Los controles del horno están configurados de forma incorrecta. | Consulte la sección de Limpieza del Horno. |
| | El horno estaba demasiado sucio. | Limpie derrames excesivos antes de iniciar el ciclo de limpieza. Es posible que, en hornos con mucha suciedad, sea necesario usar la limpieza automática nuevamente o usarla durante un período de tiempo más prolongado. |
| Aparece "CLOSE DOOR TO CONTINUE COOKING" (Cierre la puerta para continuar cocinando) en la sección de pantalla | La puerta está abierta durante una función de cocción o limpieza. | Cierre la puerta del horno. |
| Aparece "OVEN IS COOLING DOOR IS LOCKED" (El horno se está enfriando; la puerta está bloqueada) en la sección de pantalla. | La puerta del horno está bloqueada debido a que la temperatura interior del horno no descendió por debajo de la temperatura de bloqueo. | Presione la tecla Clear/Off (Borrar/ Apagar) Deje que el horno se enfríe. |
| En la pantalla se muestra un error del horno y "SERVICE MAY BE NEEDED" (Es posible que necesite el servicio técnico). | Tiene un código de error de función. | Presione la tecla Clear/Off (Borrar/ Apagar) Permita que el horno se enfríe durante una hora. Vuelva a poner el horno en funcionamiento. |
| | Si el código de función se repite. | Desconecte totalmente la corriente de la cocina durante por lo menos 30 minutos y vuelva a conectar la misma. Si el código de error de función se repite, llame al servicio técnico. |
| Olor a "quemado" o "aceite" desde la ventilación | Esto es normal en un horno nuevo y desaparecerá con el tiempo. | Para acelerar el proceso, configure un ciclo de limpieza automática por un mínimo de 3 horas. Consulte la sección de Limpieza del Horno. |
| Olor fuerte | Un olor en la aislación alrededor del interior del horno es normal desde las primeras veces en que el horno es usado. | Esto es temporario y desaparecerá luego de varios usos o de un ciclo de limpieza automática. |
| Ruido del ventilador | Es posible que un ventilador de enfriamiento se active automáticamente. | Esto es normal. El ventilador de enfriamiento se encenderá para enfriar las partes internas. Es posible que funcione hasta durante una hora y media, una vez que el horno se haya apagado. |
| La puerta de vidrio del horno parece estar "teñida" o tener un color "arcoiris". ¿Es esto un defecto? | No. El vidrio del horno interno está cubierto con una barrera de calor que refleja este último nuevamente hacia el horno, a fin de evitar la pérdida de calor y de mantener fría la puerta externa mientras se hornea. | Esto es normal. Bajo ciertas luces y ángulos, es posible que visualice esta tinta o arcoiris. |
| A veces el horno tarda más en precalentarse a la misma temperatura | Utensilio o comida en el horno | El utensilio o la comida en el horno hará que éste tarde más en precalentarse. Retire estos artículos para reducir el tiempo de precalentamiento. |
| | Número de estantes en el horno | Agregar más estantes al horno hará que éste tarde más en precalentarse. Retire algunos estantes. |

Notas

Garantía Limitada de GE Appliances

GEAppliances.com

Todo el servicio de garantía es provisto por nuestros Centros de Servicio de Fabricación, o un técnico autorizado de Customer Care®. Para programar una visita del servicio técnico a través de Internet, visítenos en **GEAppliances.com/service**, o llame al 800. GE.CARES (800.432.2737). Cuando llame para solicitar el servicio, tenga los números de serie y modelo disponibles.

Para realizar el servicio técnico de su electrodoméstico, se podrá requerir el uso de datos del puerto de abordaje para su diagnóstico. Esto da al técnico del servicio de fábrica de GE Appliances la habilidad de diagnosticar de forma rápida cualquier problema con su electrodoméstico, y de ayudar a GE Appliances a mejorar sus productos al brindarle a GE Appliances la información sobre su electrodoméstico. Si no desea que los datos de su electrodoméstico sean enviados a GE Appliances, solicitamos que le indique a su técnico no entregar los datos a GE Appliances en el momento del servicio.

| Por el Periodo de | GE Appliances reemplazará |
|---|--|
| Un Año Desde la fecha de la compra original | Cualquier parte de la cocina que falle debido a un defecto en los materiales o la fabricación. Durante esta garantía limitada de un año , GE Appliances también proveerá, sin costo , todo el trabajo y el servicio en el hogar para reemplazar la parte que presente defectos. |

Qué no cubrirá GE Appliances:

- Viajes del técnico del servicio a su hogar para enseñarle sobre cómo usar el producto.
- Instalación, entrega o mantenimiento inadecuados.
- Fallas del producto en caso de abuso, mal uso, modificación o uso para propósitos diferentes al original o uso comercial.
- Daños a la estufa de vidrio provocados por el uso de limpiadores distintos de las cremas y paños recomendados.
- Daños a la estufa de vidrio provocados por derrames endurecidos de materiales azucarados o plástico derretido que no se limpiaron de acuerdo con las instrucciones del Manual del Propietario.
- Reemplazo de fusibles de la casa o reinicio de disyuntores.
- Daños ocasionados sobre el producto por accidente, incendio, inundaciones o catástrofes naturales.
- Daños incidentales o consecuentes causados por posibles defectos sobre este producto.
- Daño causado después de la entrega.
- Producto no accesible para brindar el servicio requerido.
- Solicite el servicio técnico para reparar o reemplazar las lámparas, excepto las lámparas LED.

Abroche su recibo aquí. Para acceder al servicio técnico de acuerdo con la garantía deberá contar con la prueba de la fecha original de compra.

EXCLUSIÓN DE GARANTÍAS IMPLÍCITAS

Su única y exclusiva alternativa es la reparación del producto, como se indica en la Garantía Limitada. Las garantías implícitas, incluyendo garantías implícitas de comerciabilidad o conveniencia sobre un propósito particular, se limitan a un año o al período más corto permitido por la ley.

Esta garantía limitada se extiende al comprador original y a cualquier propietario posterior de los productos comprados para uso doméstico dentro de EE. UU. Si el producto está en un área donde no se encuentra disponible un Proveedor Autorizado del Servicio Técnico de GE Appliances, usted será responsable por el costo de un viaje o se podrá requerir que traiga el producto a una ubicación del Servicio Técnico de GE Appliances autorizado para recibir el servicio. En Alaska, la garantía limitada excluye el costo de envío o visitas de servicio a su domicilio. Algunos estados no permiten la exclusión o limitación de daños fortuitos o consecuentes. Esta garantía limitada le otorga derechos legales específicos, y usted también podría tener otros derechos que varían de estado a estado. Para conocer cuáles son sus derechos legales, consulte a la oficina de asuntos del consumidor local o estatal o al Fiscal de su estado.

Garante: GE Appliances, a Haier company

Louisville, KY 40225

Garantías Extendidas: Adquiera una garantía extendida de GE Appliances y conozca los descuentos especiales que están disponibles mientras su garantía aún está vigente. Puede acceder a la misma a través de Internet en cualquier momento en

GEAppliances.com/extended-warranty

o llamando al 800.626.2224 durante el horario comercial. Los Servicios para los GE Appliances aún estarán disponibles cuando su garantía caduque.

Accesorios

¿Busca Algo Más?

¡GE ofrece una variedad de accesorios para mejorar sus experiencias de cocción y mantenimiento!

Para realizar una orden, visítenos a través de Internet en:

www.GEApplianceParts.com (EE.UU.) o en www.GEAppliances.ca (Canadá)

o llame al 800.626.2002 (EE.UU.) 800.661.1616 (Canadá)

Accesorios

Olla para Asar Pequeña (8 ¾" x 1 ¼" x 13 ½")

Olla para Asar Grande* (12 ¾" x 1 ¼" x 16 ½")

Olla para Asar Extra Grande* (17 ¾" x 1 ¼" x 19 ½")

Piezas

Bandeja de Vidrio

Plato Giratorio

Estantes del horno

Elementos del horno

Lámparas de luz

Suministros de Limpieza

Limpiador para Electrodomésticos Micro Bryte® de 16 onzas

Limpiadores de Acero Inoxidable CitriShine™

Limpiador de Electrodomésticos de Acero Inoxidable CERAMA BRYTE®

Lubricante de Grafito

*La olla para asar grande no entra en cocinas de 20"/24".

**La olla XL no entra en hornos de pared de 24", empotrables de 27" o cocinas de 20"/24".

Soporte para el Consumidor

Sitio Web de GE Appliances

¿Desea realizar una consulta o necesita ayuda con su electrodoméstico? ¡Intente a través del Sitio Web de GE Appliances las 24 horas del día, cualquier día del año! Usted también puede comprar más electrodomésticos maravillosos de GE Appliances y aprovechar todos nuestros servicios de soporte a través de Internet, diseñados para su conveniencia.

En EE.UU.: GEAppliances.com

Registre su Electrodoméstico

¡Registre su electrodoméstico nuevo a través de Internet, según su conveniencia! Un registro puntual de su producto permitirá una mejor comunicación y un servicio más puntual de acuerdo con los términos de su garantía, en caso de surgir la necesidad. También puede enviar una carta en la tarjeta de inscripción preimpresa que se incluye con el material embalado.

En EE.UU.: GEAppliances.com/register

Servicio Programado

El servicio de reparación de expertos de GE Appliances está a sólo un paso de su puerta. Conéctese a través de Internet y programe su servicio a su conveniencia cualquier día del año. En EE.UU.: GEAppliances.com/service o comuníquese al 800.432.2737 durante el horario de atención comercial.

Garantías Extendidas

Adquiera una garantía extendida de GE Appliances y conozca los descuentos especiales que están disponibles mientras su garantía aún está vigente. La puede adquirir en cualquier momento a través de Internet. Los servicios de GE Appliances aún estarán allí cuando su garantía caduque.

En EE.UU.: GEAppliances.com/extended-warranty

o comuníquese al 800.626.2224 durante el horario de atención comercial.

Conectividad Remota

Para solicitar asistencia para la conectividad de red inalámbrica (para modelos con acceso remoto), visite nuestro sitio web en GEAppliances.com/connect o comuníquese al 800.220.6899 en EE.UU.

Piezas y Accesorios

Aquellos individuos calificados para realizar el servicio técnico de sus propios electrodomésticos podrán solicitar el envío de piezas o accesorios directamente a sus hogares (se aceptan las tarjetas VISA, MasterCard y Discover). Ordene hoy a través de Internet durante las 24 horas, todos los días. En EE.UU.: GEApplianceparts.com o de forma telefónica al 877.959.8688 durante el horario de atención comercial.

Las instrucciones que figuran en este manual cubren los procedimientos que serán realizados por cualquier usuario. Otros servicios técnicos generalmente deben ser derivados a personal calificado del servicio. Se deberá tener cuidado, ya que una reparación indebida podrá hacer que el funcionamiento no sea seguro.

Contáctenos

Si no se encuentra satisfecho con el servicio que recibió de GE Appliances, comuníquese con nosotros a través de nuestro sitio Web con todos los detalles, incluyendo su número telefónico, o escriba a:

En EE.UU.: General Manager, Customer Relations | GE Appliances, Appliance Park | Louisville, KY 40225

GEAppliances.com/contact